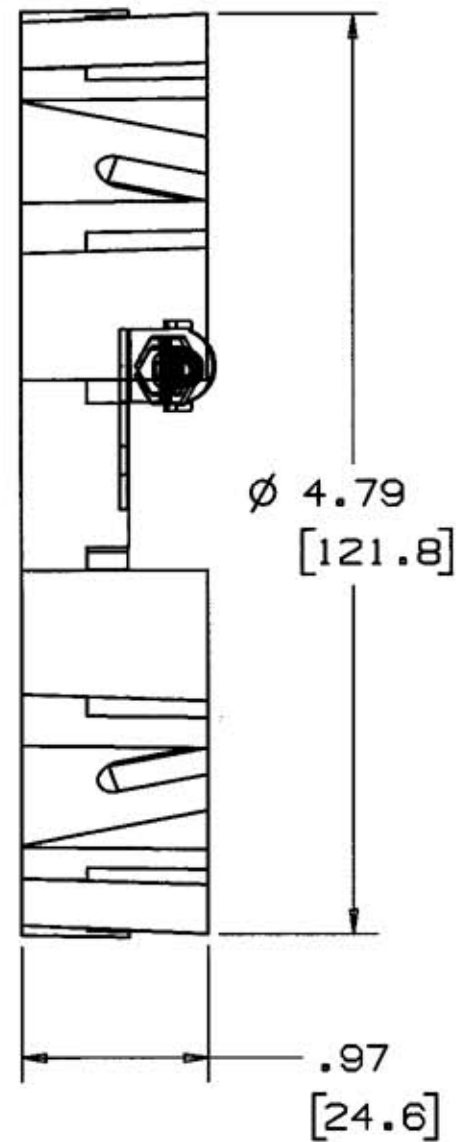
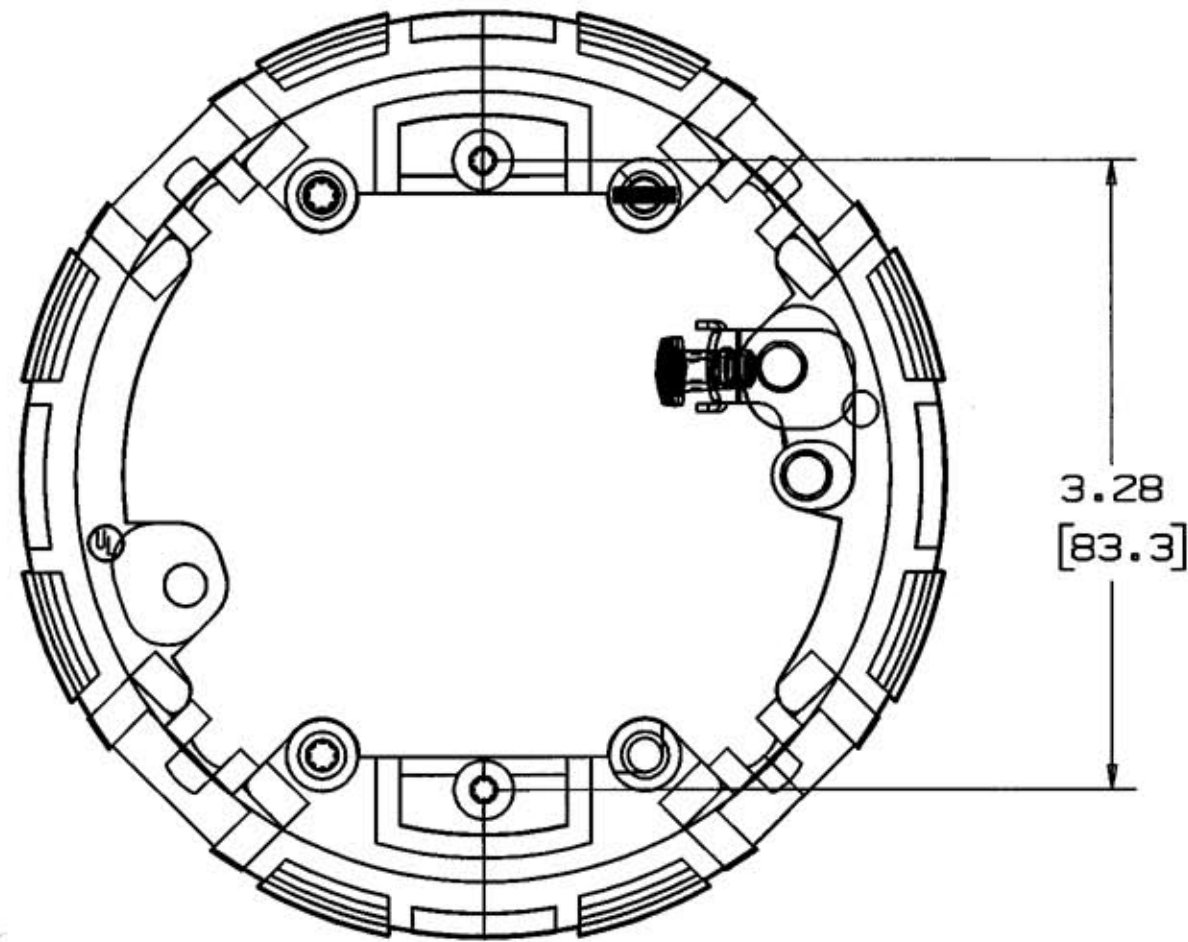


M-8833 1



NOT SHOWN {

LIST OF PARTS		
DESCRIPTION	MATERIAL	FINISH
ADAPTER	PVC	GRAY
INSERT	BRASS	
INSERT	BRASS	
BRACKET, GR	STEEL	GALVENIZED
#8 SCREW HEX HD. BIND	BRASS	GREEN
CLIP, ADAPTER RETAINER	STEEL	ZINC
HANGER	STEEL	ZINC
SCREW	STEEL	ZINC

DIMENSION SHEET FOR CAT. NO. PFBA1A

REPAIRABLE NON-REPAIRABLE

1	INITIAL RELEASE DCN. 9494	SM	5-29-02
SYM	REVISIONS	APP	DATE

THE DESIGN AND DIMENSIONS OF THE PRODUCT SHOWN ON THIS DRAWING ARE SUBJECT TO CHANGE WITHOUT NOTICE

TITLE
ADAPTER RING FOR PLASTIC FLOOR BOX

TOLERANCES UNLESS OTHERWISE SPECIFIED FRACTIONS ± 1/64 DECIMALS ± .005 ANGLES ± 2°	WIRING DEVICE-KELLEMS HUBBELL INCORPORATED BRIDGEPORT, CT	
	DR. BY TJV	APP. BY SM
	TR. BY	SCALE 1:1
	CHK'D BY SM	DATE 5-15-02

B

M-8833

1