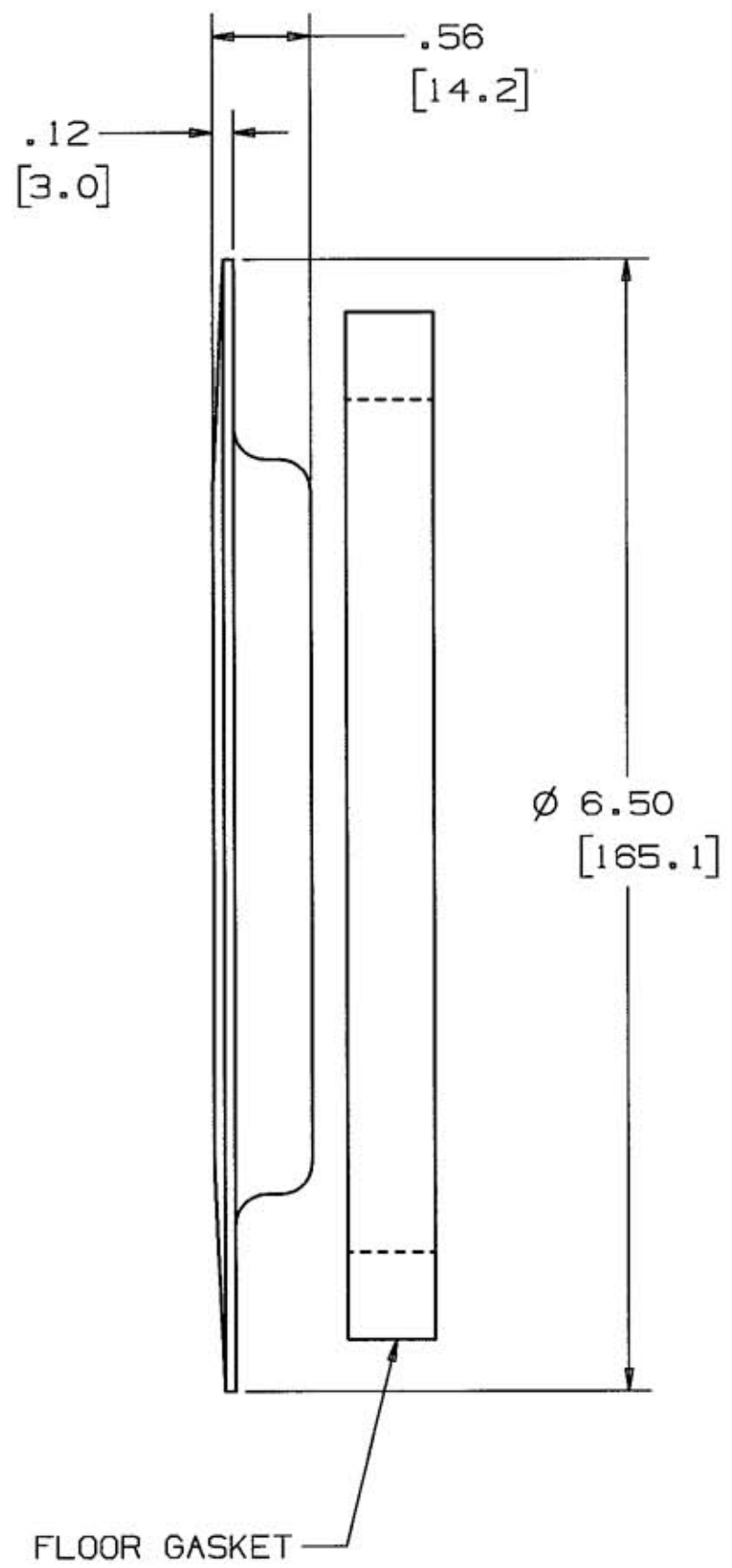
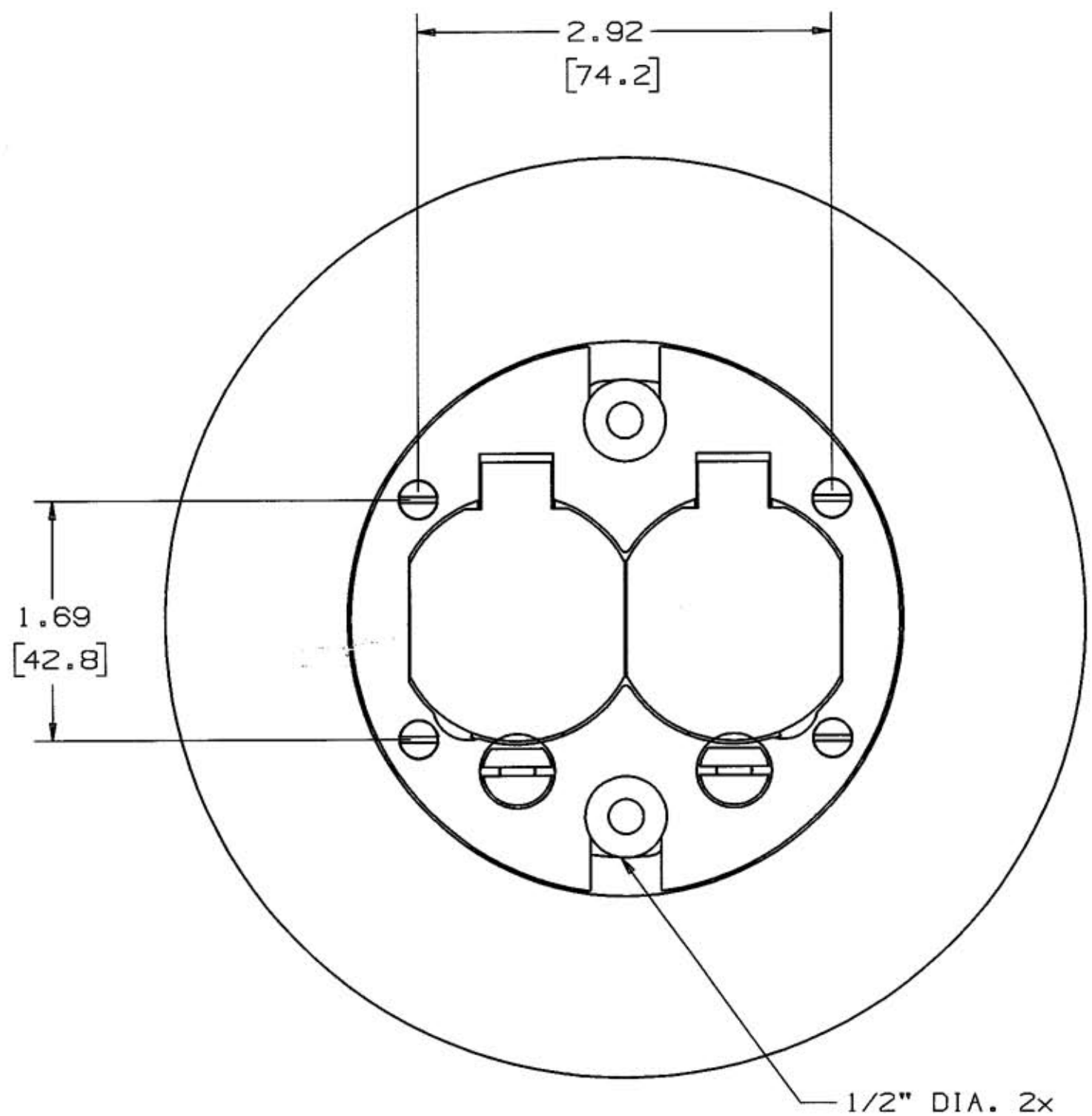


M-8836 2



LIST OF PARTS

DESCRIPTION	MATERIAL	FINISH
FLANGE	BRASS	BRUSH & LACQUER
PLUG, FLAP COVER	BRASS	BRUSH & LACQUER
BUSHING, SNAP	NYLON	BLACK
SCREW	BRASS	BRIGHT DIP
#8 SCREW FLAT HD.	STEEL	ZINC
#6 SCREW FLAT HD.	ST. STEEL	PASSIVATED
COVER GASKET	ELASTOMER	BLACK
FLAP GASKET	ELASTOMER	BLACK
LOWER FLAP COVER	ABS	BLACK
FLAP COVER TOP	BRASS	BRUSH & LACQUER
FLAP	BRASS	BRUSH & LACQUER
SPRING, FLAP	ST. STEEL	
PIN, HINGE	ST. STEEL	
LOCKING STUD	BRASS	
FLOOR GASKET	ELASTOMER	BLACK

DIMENSION SHEET FOR CAT. NO. SF39253A

REPAIRABLE NON-REPAIRABLE

SYM	REVISIONS	APP	DATE
2	ADDED FLOOR GASKET DCN#10511 PAC	SM	1-3-03
1	INITIAL RELEASE DCN. 9494		5-29-02

THE DESIGN AND DIMENSIONS OF THE PRODUCT SHOWN ON THIS DRAWING ARE SUBJECT TO CHANGE WITHOUT NOTICE

TITLE
ROUND BRASS FLOOR BOX RING/COVER COMBINATION

TOLERANCES UNLESS OTHERWISE SPECIFIED FRACTIONS ± 1/64 DECIMALS ± .005 ANGLES ± 2°	WIRING DEVICE-KELLEMS HUBBELL INCORPORATED BRIDGEPORT, CT	
	DR. BY TJV	APP. BY
	TR. BY	SCALE 1:1
	CHK'D BY	DATE 5-15-02

M-8836

2