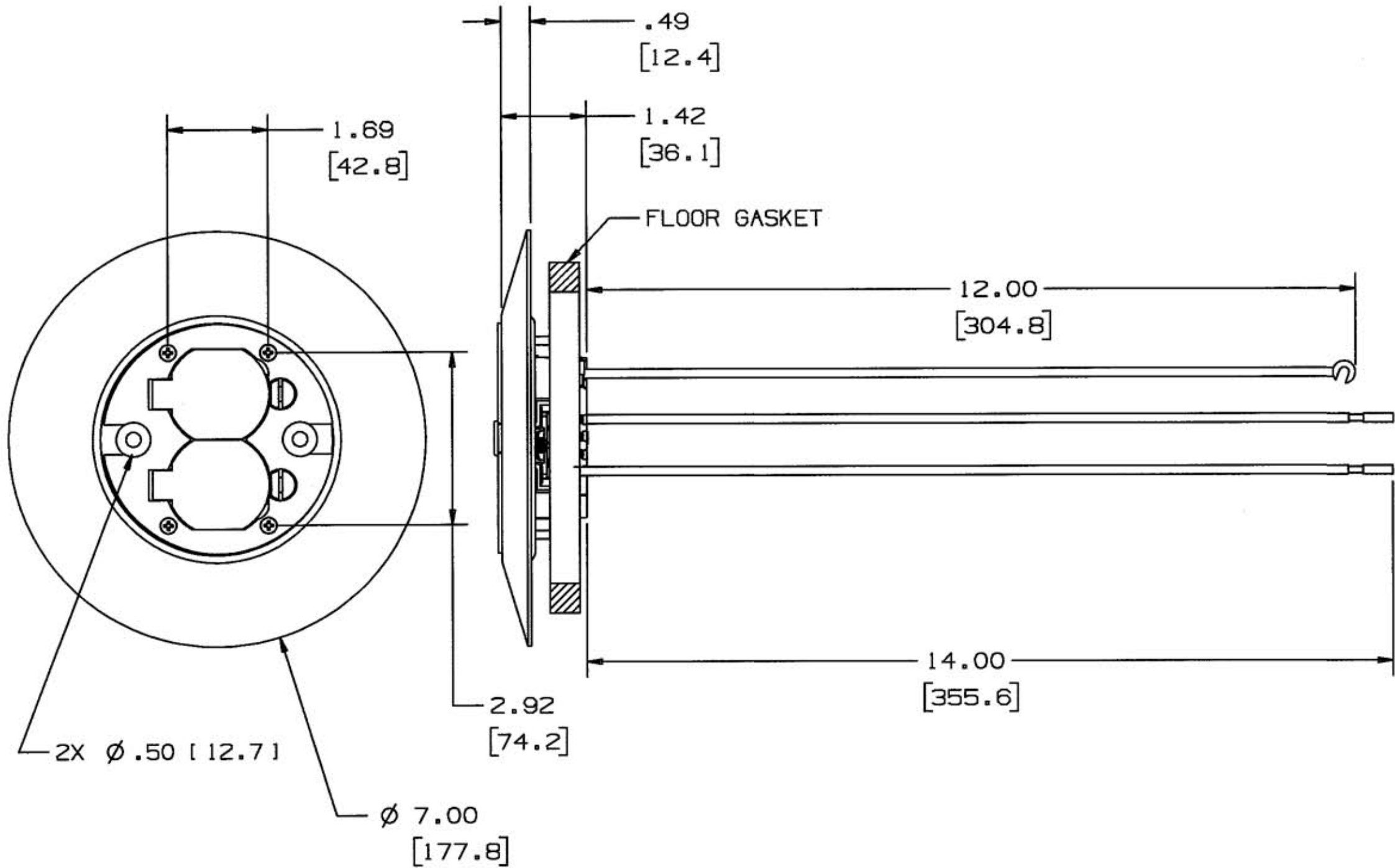


M-8842 4



NOTES: (UNLESS OTHERWISE SPECIFIED)

- 1) DIMENSIONS ARE: INCHES [MILLIMETERS]
- 2) .XX TOLERANCES TO BE ± .03

CODE 74545

LIST OF PARTS		
DESCRIPTION	MATERIAL	FINISH
LOWER FLAP COVER	ABS	BLACK
FLAP COVER TOP	BRASS	BRUSH & LACQUER
FLAP	BRASS	BRUSH & LACQUER
SPRING FLAP	ST. STEEL	
PIN, HINGE	ST. STEEL	
LOCKING STUD	BRASS	
FLAP GASKET	ELASTOMER	BLACK
PLUG, FLAP COVER	BRASS	
FLANGE	BRASS	BRUSH & LACQUER
COVER GASKET	ELASTOMER	BLACK
#12 LEAD WIRE, GREEN	PVC	
#12 WIRE COPPER, WHITE	PVC	
#12 WIRE COPPER, BLACK	PVC	
BUSHING, SNAP	NYLON	BLACK
#6 SCREW FLAT HD.	BRASS	BRIGHT
#6 SCREW OVAL HD.	ST. STEEL	PASSIVATED
SCREW FLAT HD.	STEEL	ZINC
DUPLEX RECPACLE		
FLOOR GASKET	ELASTOMER	BLACK

4	ADDED NOTES 1 & 2. "2X Ø .50 [12.7]" WAS "1/2" DIA 2X". IN LIST OF PARTS, MATERIAL & FINISH FOR #6 SCREW FLAT HD. "BRASS/BRIGHT" WAS "ST. STEEL/PASSIVATED". CHECKED "REPAIRABLE" BOX PER DCN #12944. JMN	DJP	7/13/06
3	REVISED SCREW HEADS TO PHILIPS PER DCN 10929 RCM	DVB	6-13-03
2	ADDED FLOOR GASKET DCN#10511 PAC	SM	1-3-03
1	INITIAL RELEASE DCN.9494	SM	5-29-02
SYM	REVISIONS	APP	DATE

THE DESIGN AND DIMENSIONS OF THE PRODUCT SHOWN ON THIS DRAWING ARE SUBJECT TO CHANGE WITHOUT NOTICE

TITLE
FITTING FOR 3" FLUSH FRPT

TOLERANCES UNLESS OTHERWISE SPECIFIED	WIRING DEVICE-KELLEMS HUBBELL INCORPORATED BRIDGEPORT, CT	
FRACTIONS ± 1/64	DR. BY TJV	APP. BY SM
DECIMALS ± .005	TR. BY	SCALE 1/2
ANGLES ± 2°	CHK'D BY SM	DATE 5-15-02

DIMENSION SHEET FOR CAT. NO. FRFBRS2A
 REPAIRABLE NON-REPAIRABLE
 B
 M-8842
 4