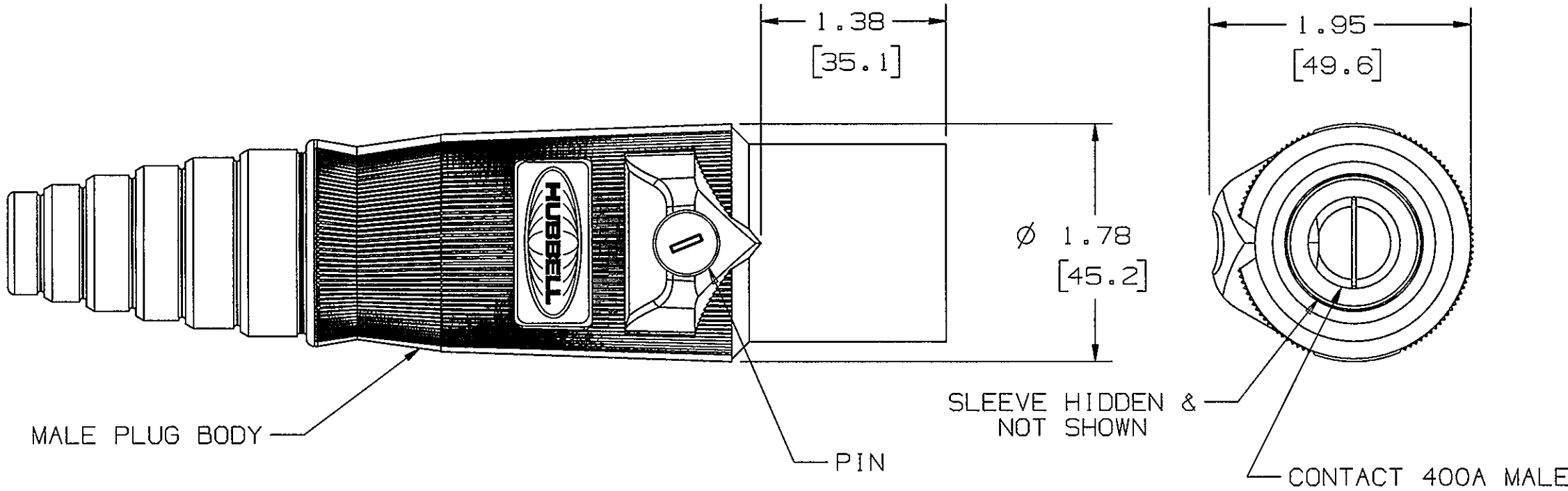
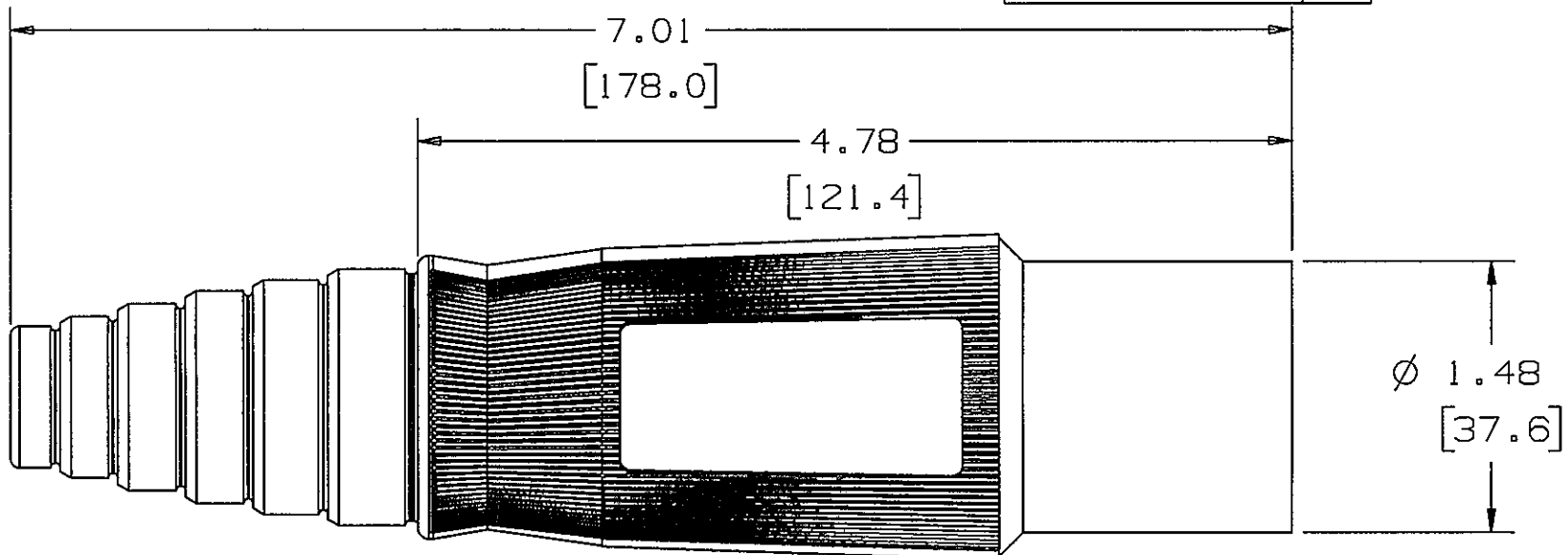


M-8910 3



LIST OF PARTS		
DESCRIPTION	MATERIAL	FINISH
MALE PLUG BODY	TPE	SEE TABLE
SLEEVE	NYLON	BLACK
CONTACT 400A MALE	BRASS	
RIVET	BRASS	
PIN	NYLON	BLACK
SET SCREW	STEEL	NICKEL
LEAD WIRE	COPPER	
COPPER SHEET	COPPER	

3	3-21-12 DIM. 7.01 WAS 6.74 (ADDED 6th RING TO BODY) PER DCN 18725 CZH CZH	CZH	3/21/12
2	REMOVE MOLDED IN TEXT FROM VIEWS, ADDING REFERENCE SET TO THIS DRAWING & FILE D-58726-01 ADD ±.02 & ±.5 TO NOTE 1 CHANGED NOTE 4 LIST OF PARTS DESCRIPTION MALE PLUG BODY WAS FEMALE PLUG PER DCN 11484 TwB	TwB	12/15/04
1	RELEASED PER DCN 10992 MJM	TwB	6/26/03

SYM	REVISIONS	APP	DATE

THE DESIGN AND DIMENSIONS OF THE PRODUCT SHOWN ON THIS DRAWING ARE SUBJECT TO CHANGE WITHOUT NOTICE

TITLE
SINGLE POLE 400A MALE PLUGS

TOLERANCES UNLESS OTHERWISE SPECIFIED	WIRING DEVICE-KELLEMS HUBBELL INCORPORATED BRIDGEPORT, CT	
FRACTIONS ± 1/64	DR. BY MJM	APP. BY TWB
DECIMALS ± .005	TR. BY	SCALE 1:1
ANGLES ± 2°	CHK'D BY TWB	DATE 6/11/03

- NOTES:
- DIMENSIONS ARE INCHES ±.02 [mm] ±.5
 - CABLE SIZE: 2/0 AWG - 4/0, COPPER ONLY
 - RATING 600VAC/250VDC 400 AMPS
 - UL/c-UL ENCLOSURE TYPES 3R, 4X, 12, SEE INSTRUCTION SHEET
 - 1/2-20 UNF-2A X 1/2 LG. 7/32 SOCKET HEAD SET SCREWS, LEAD WIRE & COPPER SHEET NOT SHOWN.

HUBBELL CAT. NO.	COLOR
HBL400MBK	BLACK
HBL400MW	WHITE
HBL400MGN	GREEN
HBL400MR	RED
HBL400MBL	BLUE
HBL400MO	ORANGE
HBL400MBN	BROWN
HBL400MY	YELLOW

DIMENSION SHEET FOR CAT. NO. SEE TABLE

REPAIRABLE NON-REPAIRABLE

B

M-8910

W

