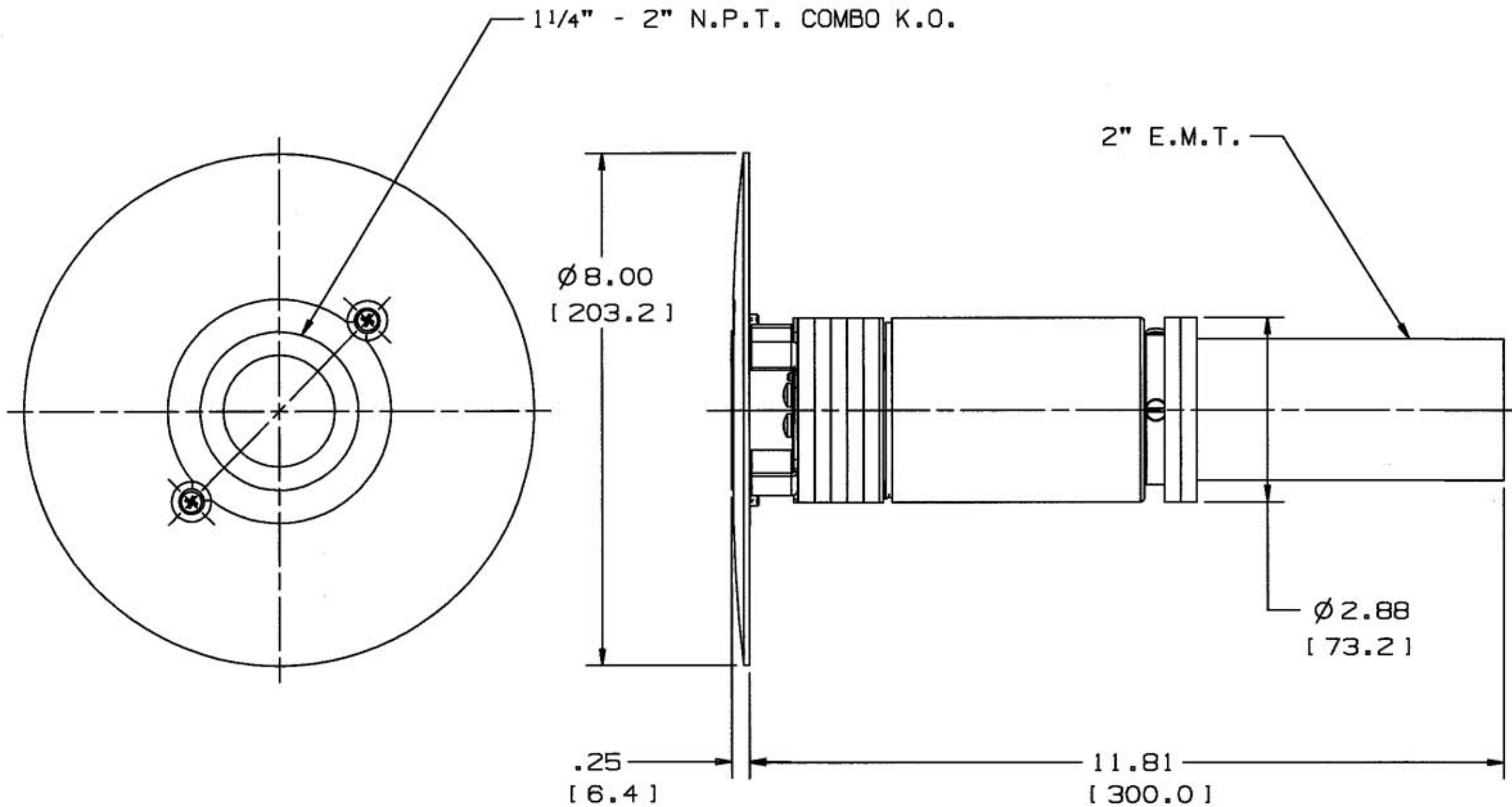


M-9067 3



NOTE:
 1. DIM'S. INCHES [MM].
 2. PRODUCT MUST MEET UL & CSA CONSTRUCTION, PERFORMANCE, & MARKING REQUIREMENTS.
 3. .XX TOLERANCES TO BE ± .03

LIST OF PARTS

DESCRIPTION	MATERIAL	FINISH
CARPET FLANGE	ALUMINUM	NATURAL
SCREW FLAT HD.	STEEL	ZINC PL.
FLOOR CUP	STEEL	GALV.
POSITION CLIP	ST. STEEL	
SCREW	STEEL	ZINC PL.
FIRE BARRIER	FB 525	
WIRING TUBE ASM.		
SCREW, TORX PN HD	STEEL	ZINC PL.
INSULATOR BARRIER	FIRE BARRIER MAT'L	
CUP	STEEL	ZINC PL.
SCREW #8 BD. HD.	BRASS	BRIGHT

SYM	REVISIONS	APP	DATE
3	IN MATERIAL: FIRE BARRIER MATERIAL WAS FB 525 PER DCN 13699 RCM	DJP	1/29/07
2	ADDED NOTE 3: ADDED "1 1/4" - 2" N.P.T. COMBO K.O." AND "2" E.M.T.". .25(6.4) DIM. WAS .28(7.1). IN PARTS LIST, "ST. STEEL" WAS "SSTEEL"; REMOVED "STL." FOM "GALV." AND "DIP" FROM "BRIGHT". CHECKED "REPAIRABLE" BOX PER DCN #12944. JMN	DJP	7/13/06
1	INITIAL RELEASE DCN. 10786	JVD	4-10-03

THE DESIGN AND DIMENSIONS OF THE PRODUCT SHOWN ON THIS DRAWING ARE SUBJECT TO CHANGE WITHOUT NOTICE

TITLE CUSTOMER DRAWING
 LG. CAP. 2" FL. FITTING
 CAT. NO. PT2FIT

TOLERANCES UNLESS OTHERWISE SPECIFIED	WIRING DEVICE-KELLEMS HUBBELL INCORPORATED BRIDGEPORT, CT		
FRACTIONS ± 1/64	DR. BY	PAC	APP. BY JVD
DECIMALS ± .005	TR. BY	SCALE 1:2	
ANGLES ± 2'	CHK'D BY	DATE 4-8-03	

DIMENSION SHEET FOR CAT. NO.

PT2FIT

REPAIRABLE

NON-REPAIRABLE

B

M-9067

3