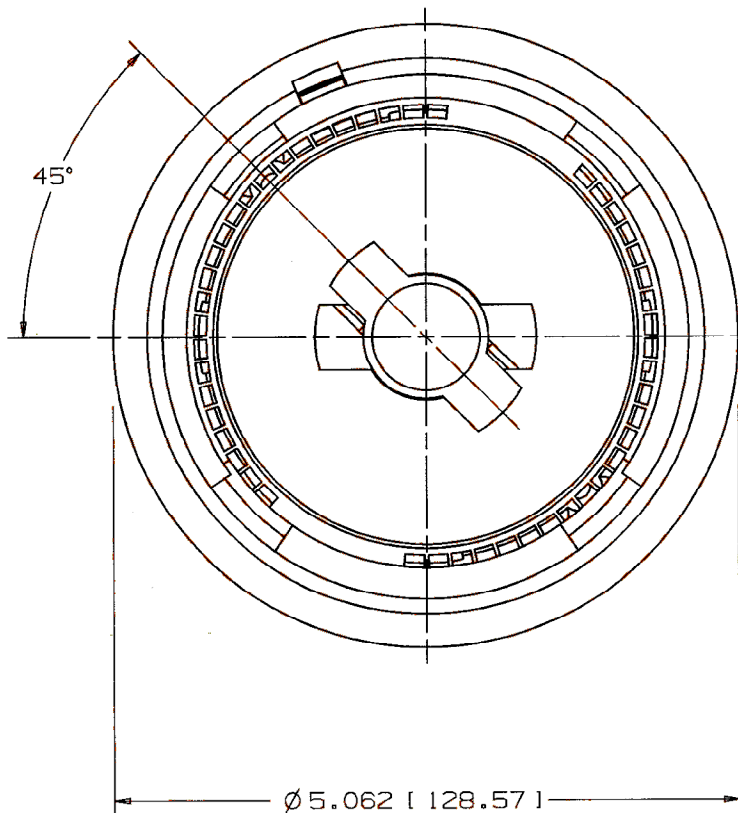
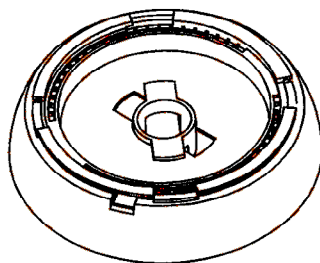
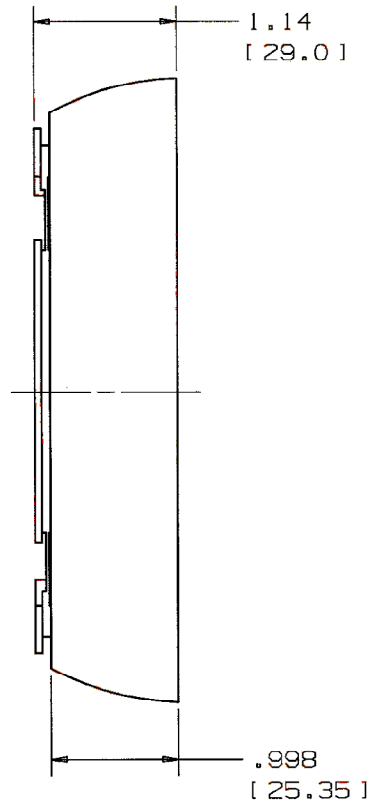


M-9207 1



NOTE:
1. DIM'S. INCHES [MM].



ISOMETRIC VIEW

LIST OF PARTS

DESCRIPTION	MATERIAL	FINISH
ADAPTER BASE	ABS	OFFICE WHITE
ADAPTER PLATE	ABS	OFFICE WHITE
LOCKING CLIP	SPRING STEEL	

DIMENSION SHEET FOR CAT. NO. M-9207
 HCRA
 REPAIRABLE NON-REPAIRABLE B
 1

1	INITIAL RELEASE #11172	JVP	9-3-03
SYM	REVISIONS	APP	DATE

THE DESIGN AND DIMENSIONS OF THE PRODUCT SHOWN ON THIS DRAWING ARE SUBJECT TO CHANGE WITHOUT NOTICE

TITLE CUSTOMER DRAWING
CEILING SENSOR ADAPTER
CAT. NO. HCRA

TOLERANCES UNLESS OTHERWISE SPECIFIED	WIRING DEVICE-KELLEMS HUBBELL INCORPORATED BRIDGEPORT, CT		
FRACTIONS ± 1/64	DR. BY	PAC	APP. BY JVP
DECIMALS ± .005	TR. BY	SCALE	1-1
ANGLES +2°	CHK'D BY	DATE	8-29-03