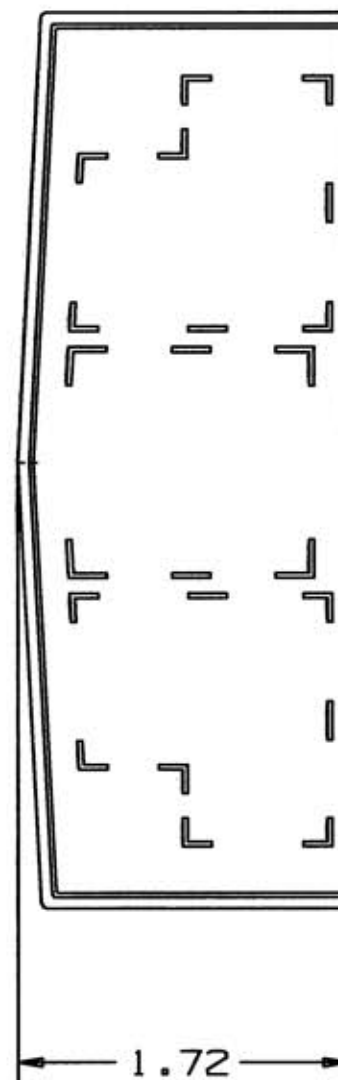
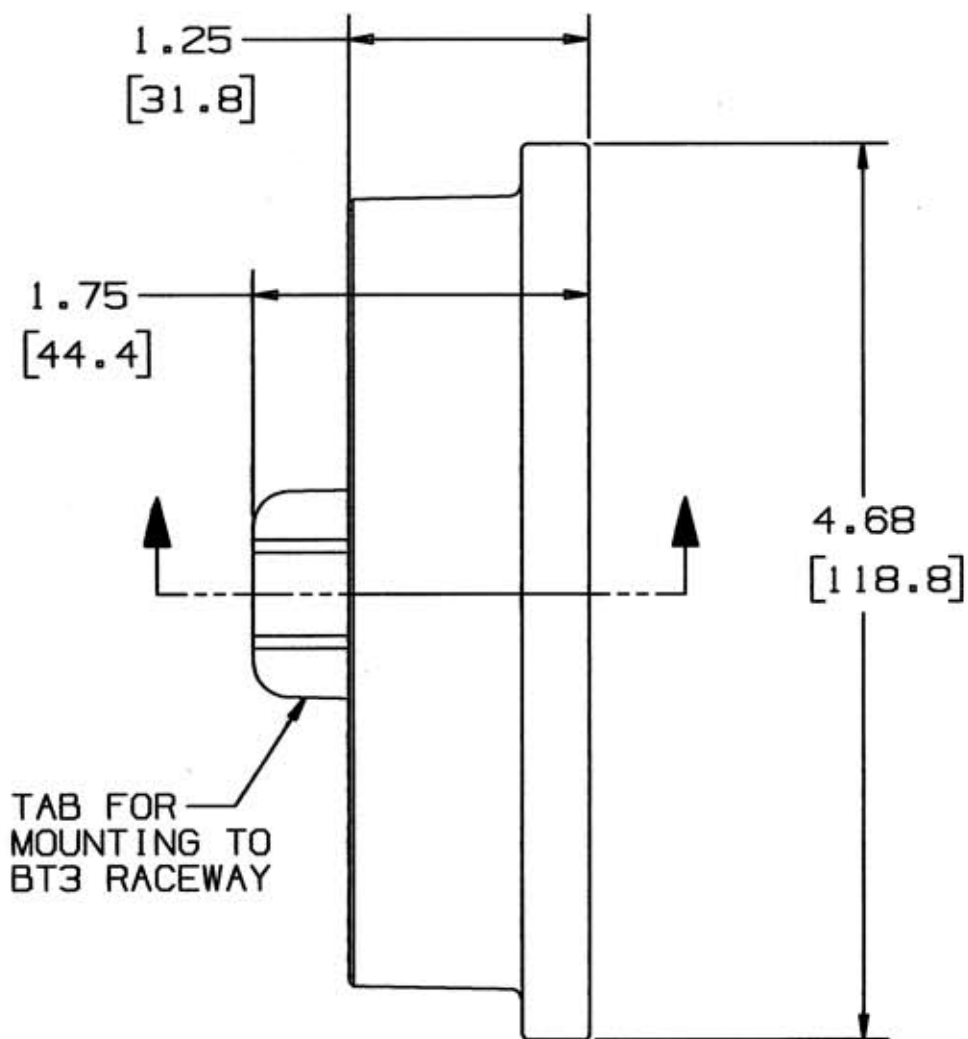
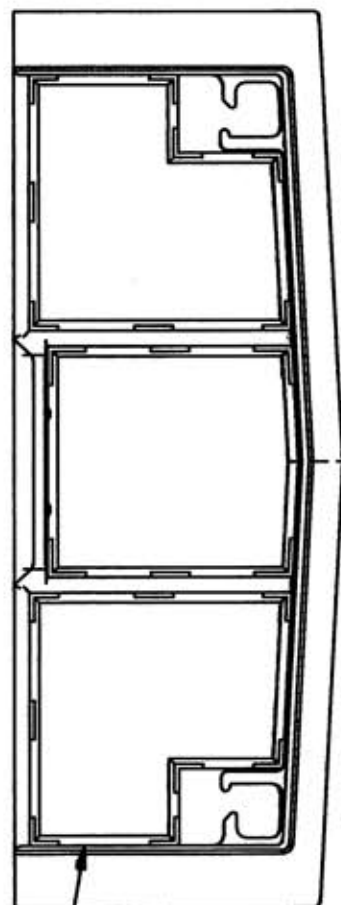
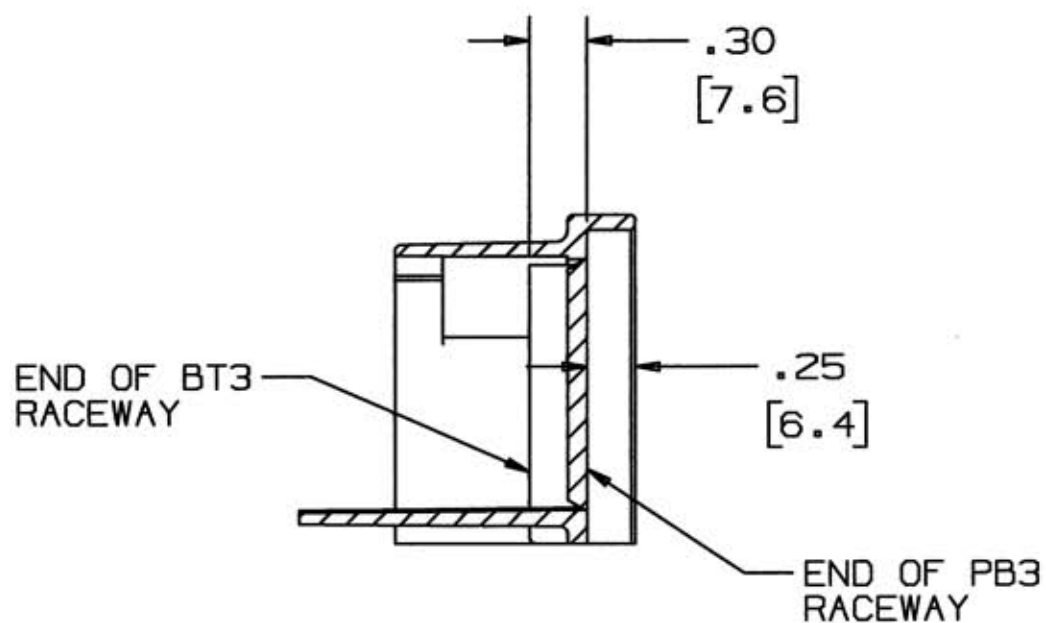


# M-9316 1



CHANNEL  
KNOCK-OUTS (3)



ALL DIMENSIONS = INCHES  
[ MM ]

## LIST OF PARTS

DESCRIPTION	MATERIAL	FINISH
TRANSITION FITTING	PVC	OFFICE WHITE

1	RELEASED PER DCN 11695	4/27/04
	REVISIONS	

B	
---	--

THE DESIGN AND DIMENSIONS OF THE  
PRODUCT SHOWN ON THIS DRAWING ARE  
SUBJECT TO CHANGE WITHOUT NOTICE

TITLE  
TRANSITION FITTING  
BT3 TO PB3 BASETRAK  
CAT. NO. BTPB3TF

TOLERANCES UNLESS OTHERWISE SPECIFIED	WIRING DEVICE-KELLEMS HUBBELL INCORPORATED BRIDGEPORT, CT	
FRACTIONS $\pm 1/64$	DR. BY SRE	APP. BY <i>sr</i>
DECIMALS $\pm .005$	TR. BY	SCALE 1:1
ANGLES $\pm 2^\circ$	CHK'D BY <i>sr</i>	DATE 3/16/04