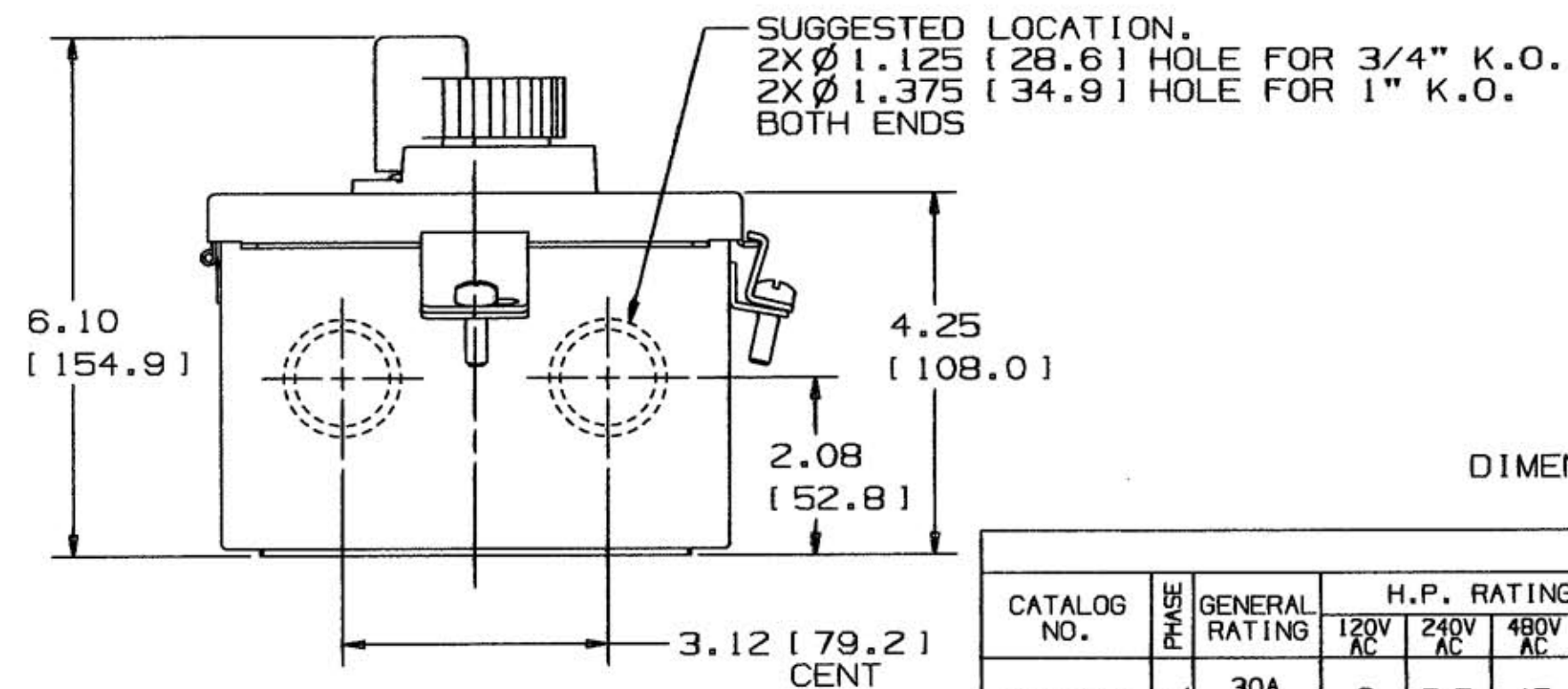
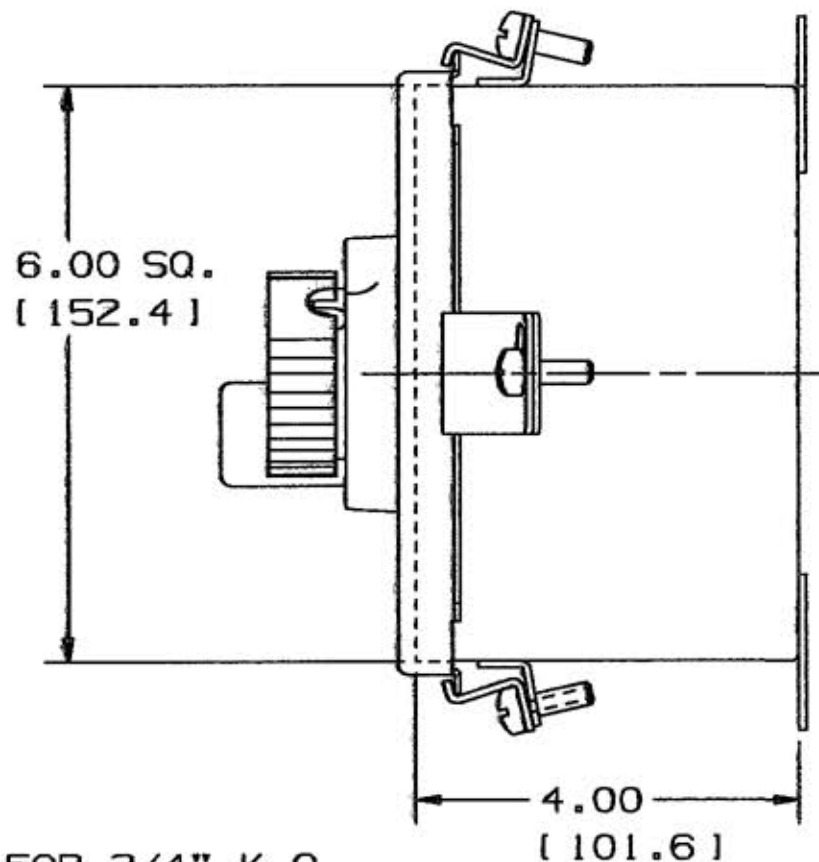
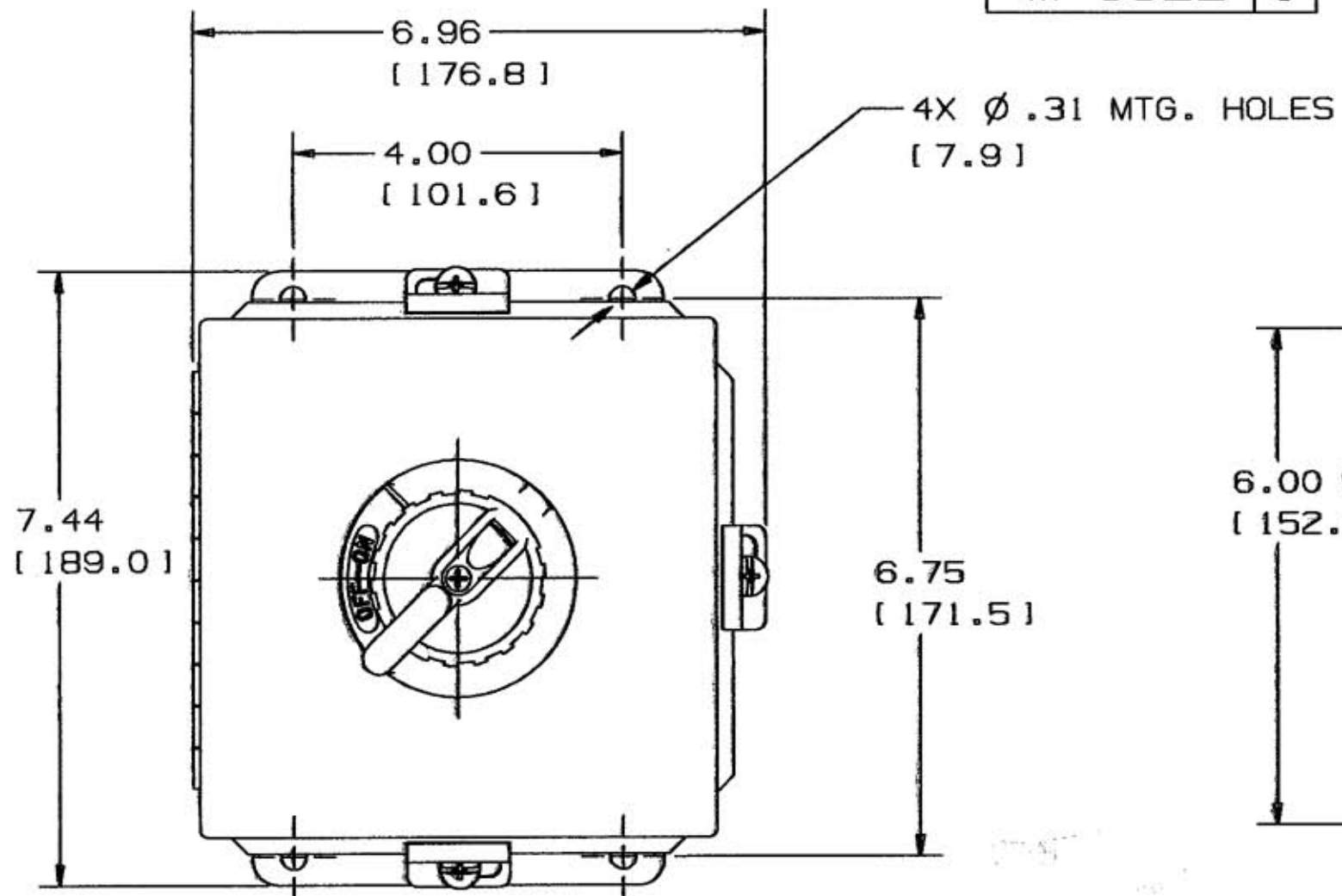


M-9322 1



DIMENSIONS IN INCHES [MM].

CATALOG NO.	PHASE	GENERAL RATING	H.P. RATINGS				TERM. MAX. CAP. & WIRE INFO.	INSUL. STRIP IN. [MM]	TERMINAL TORQUE LB. IN. [Nm]
			120V AC	240V AC	480V AC	600V AC			
HBL13533D	3 ϕ	30A 600VAC	3	7.5	15	20	#10 AWG CU. ONLY	5/8 [16]	20 [2.4]

LIST OF PARTS

DESCRIPTION	MATERIAL	FINISH
ENCLOSURE	STAINLESS STL	POLISHED
ENCLOSURE HANDLE	THERMOPLASTIC	YELLOW
ENCL. ON-OFF RING	THERMOPLASTIC	RED
SW MTG. BRACKET	STEEL	GALVANIZED
SW BASE & COVER	THERMOSET	BLACK
SW BRIDGE	STEEL	ZINC
SW TERMINALS	COPPER ALLOY	
SW TERMINAL SCREWS	COPPER ALLOY	
SW AUX. CONT. PLATE	STEEL	YELLOW
SW BACK WIRE PLATES	COPPER ALLOY	

DIMENSION SHEET FOR CMT. NO. SEE CHART

REPAIRABLE NON-REPAIRABLE

B

M-9322

1

1	DCN11626 INITIAL RELEASE	SM	4-14-04
SYM	REVISIONS	APP	DATE

THE DESIGN AND DIMENSIONS OF THE PRODUCT SHOWN ON THIS DRAWING ARE SUBJECT TO CHANGE WITHOUT NOTICE

TITLE 30A ROT DISCONNECT IN 4X SS ENCLOSURE HUBBELL CUST. DRAWING

TOLERANCES UNLESS OTHERWISE SPECIFIED
 FRACTIONS \pm 1/64
 DECIMALS \pm .005
 ANGLES \pm 2'

WIRING DEVICE-KELLEMS HUBBELL INCORPORATED BRIDGEPORT, CT

DR. BY	PAC	APP. BY	SM
TR. BY		SCALE	NONE
CHK'D BY	SM	DATE	3-24-04