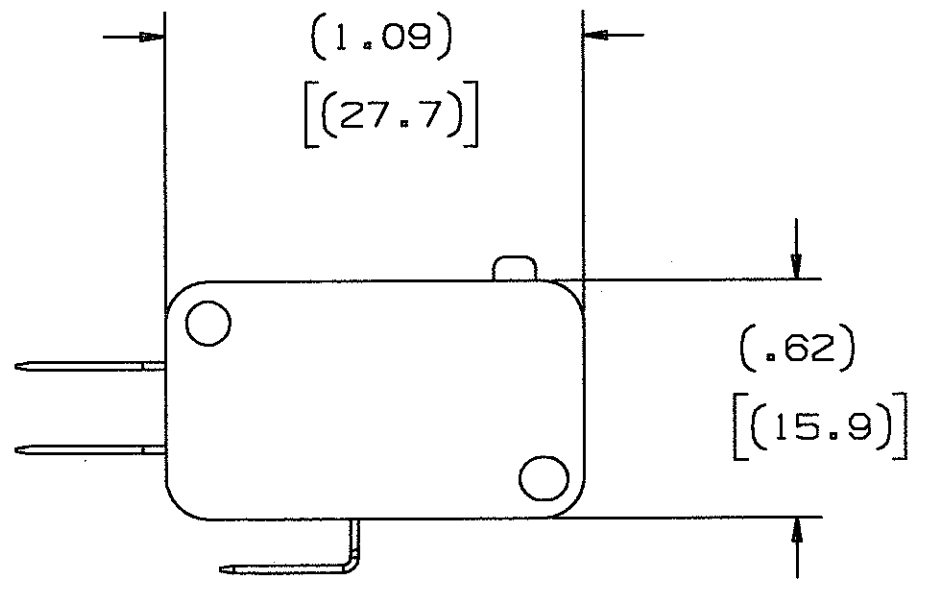
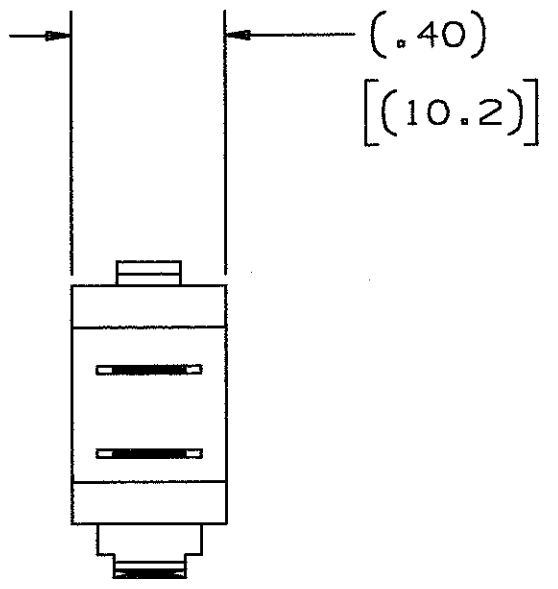
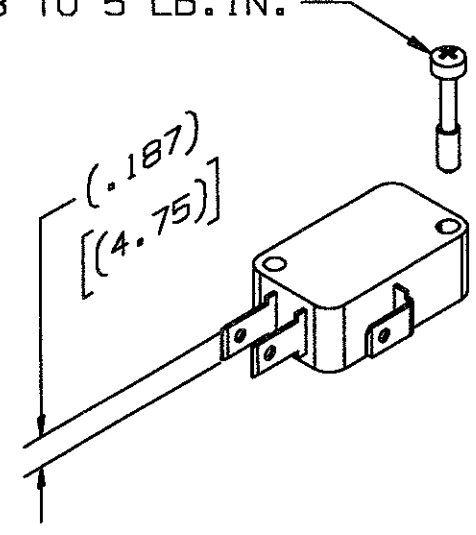


M-9389 2

TORQUE 3 TO 5 LB. IN.



- NOTES:
 1. INTERPRET THIS DRAWING IN ACCORDANCE WITH ANSI Y14.5-1982.
 2. ALL DIMENSIONS TO BE IN INCHES [mm]

CAT. NO.	RATING
HBLAUX	15A 1/2HP 125 250 VAC 0.1A 125 VDC

LIST OF PARTS

DESCRIPTION	MATERIAL	FINISH

SYM	REVISIONS	APP	DATE
2	REMOVED HBL13AC FROM TITLE. ADDED TABLE AND CORRECTED DWG. FORMAT. PER DCN 12806 SPN	DJP	1/24/06

THE DESIGN AND DIMENSIONS OF THE PRODUCT SHOWN ON THIS DRAWING ARE SUBJECT TO CHANGE WITHOUT NOTICE

TITLE
 ROTARY DISCONNECT
 AUXILIARY SWITCH

TOLERANCES UNLESS OTHERWISE SPECIFIED FRACTIONS ± 1/64 DECIMALS ± .005 ANGLES ± 2°	WIRING DEVICE-KELLEMS HUBBELL INCORPORATED BRIDGEPORT, CT	
	DR. BY PAC	APP. BY SM
	TR. BY	SCALE 1:1
	CHK'D BY SM	DATE 5-28-04

DIMENSION SHEET FOR CAT. NO. M-9389 2
 REPAIRABLE NON-REPAIRABLE