

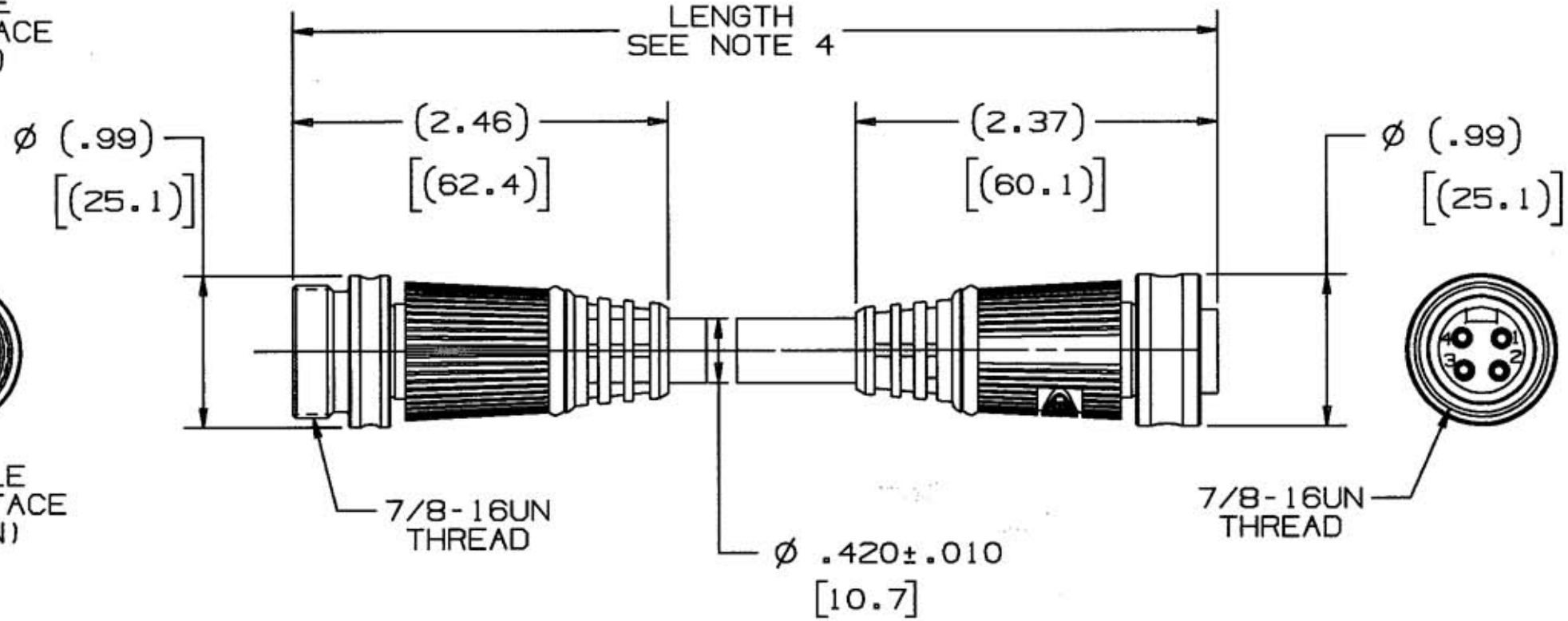
M-9466 2



5 POLE  
(MALE FACE  
(SHOWN))



4 POLE  
(MALE FACE  
(SHOWN))



MALE PLUG

FEMALE PLUG

NOTES: (UNLESS OTHERWISE SPECIFIED)

- 1) DIMENSIONS ARE IN INCHES [MM].
- 2) ALL DEVICES ARE 10A. 600VAC.
- 3) ALL DEVICES ARE U.L. LISTED AND ARE NOT FOR CURRENT RUPTURE.
- 4) THE "XXX" IN CATALOG NUMBER DENOTES LENGTH OF WIRE IN FEET. PH1004PG Q 5 Q IS FIFTY FEET LONG.

CATALOG NUMBER	NUMBER OF POLES	POSITION NUMBER	COLOR	CONDUCTOR MARKING
PH1004PGXXX	4	1	ORANGE	P1
		2	ORANGE	P2
		3	ORANGE	P3
		4	ORANGE	P4
PH1005PGXXX	5	1	ORANGE	P1
		2	ORANGE	P2
		3	ORANGE	P3
		4	ORANGE	P4
		5	ORANGE	P5

LIST OF PARTS		
DESCRIPTION	MATERIAL	FINISH
COUPLING NUT	BRASS	NICKEL
INSULATOR, SOCKET	NYLON	WHITE
RETAINERS	NYLON	WHITE
O-RING	RUBBER	BLACK
O-RINGS	SILICONE	GREEN
SOCKET CONTACT	COPPER ALLOY	GOLD OVER Pd/Ni
OVERMOLD	POLYURETHANE	GRAY
CABLE	16 AWG PVC	GRAY
PIN CONTACT	BRASS	GOLD OVER Pd/Ni
INSULATOR, PIN	NYLON	WHITE


2	ADDED "SEE TABLE", DUAL DIM.'S, & NOTES 1-3. ADDED "16 AWG" TO TITLE. REMOVED "AMPS" COLUMN FROM TABLE. "LENGTH SEE NOTE 4" WAS "LENGTH SEE NOTE 1" NOTE 4 WAS NOTE 1 PER DCN #12063. JMN	GPH	10/29/04
1	RELEASED PER DCN 11937 MJM GH	GPH	9/16/04
SYM	REVISIONS	APP	DATE

THE DESIGN AND DIMENSIONS OF THE PRODUCT SHOWN ON THIS DRAWING ARE SUBJECT TO CHANGE WITHOUT NOTICE

TITLE  
STRAIGHT EXTENSION CABLE  
16 AWG TC CABLE

TOLERANCES UNLESS OTHERWISE SPECIFIED	WIRING DEVICE-KELLEMS HUBBELL INCORPORATED BRIDGEPORT, CT	
FRACTIONS $\pm$ 1/64	DR. BY MJM	APP. BY GPH
DECIMALS $\pm$ .005	TR. BY	SCALE NONE
ANGLES $\pm$ 2'	CHK'D BY GPH	DATE 8/3/04

DIMENSION SHEET FOR CAT. NO. SEE TABLE  
 REPAIRABLE  NON-REPAIRABLE   
 M-9466  
 2