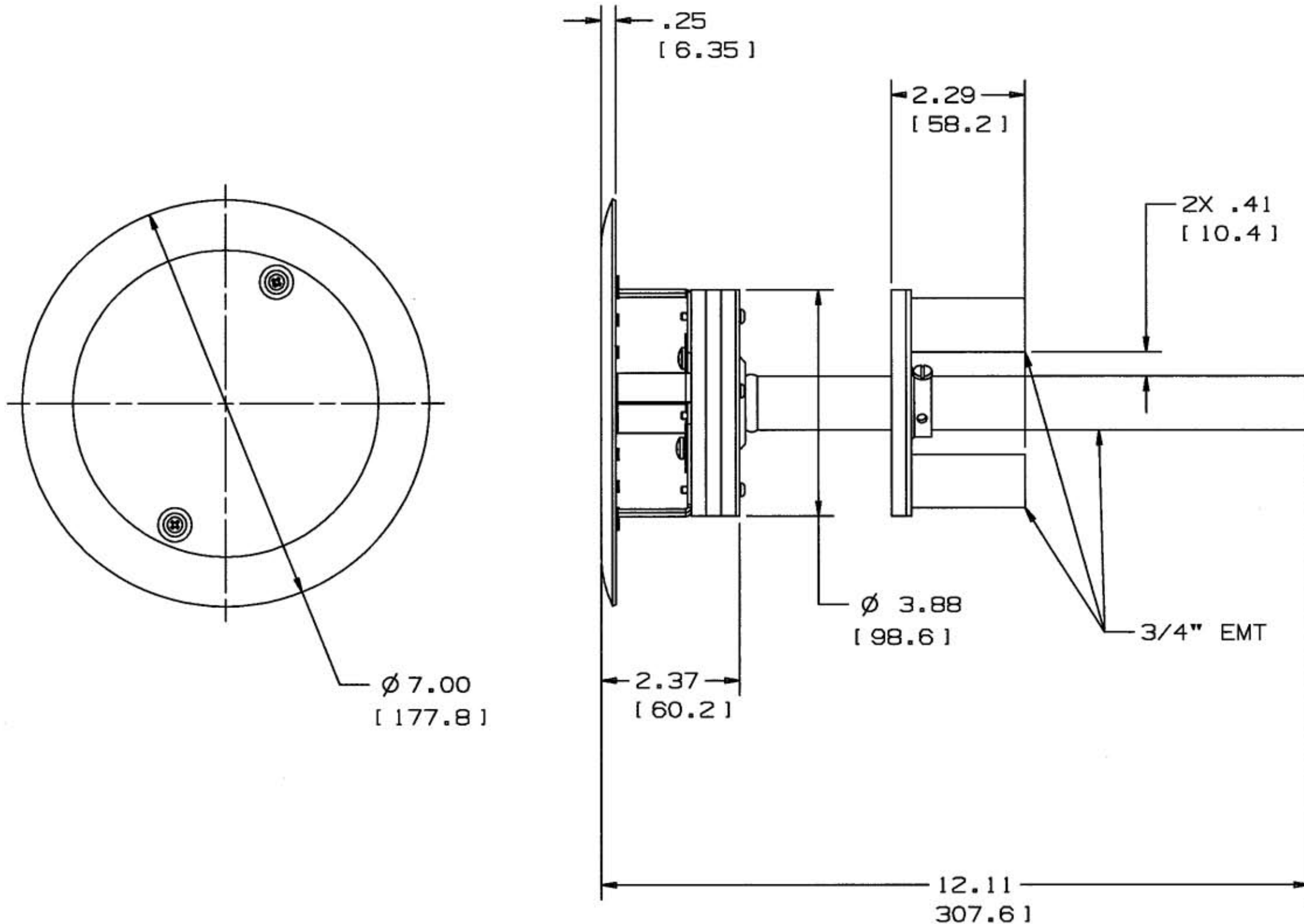


M-9494 2



LIST OF PARTS		
DESCRIPTION	MATERIAL	FINISH
INSTALLATION PLATE	GALV. CRS	
(2) SCREW, #6 FT.HD.	STEEL	ZINC PLT.
FLOOR CUP 4X4	GALV. CRS	
(2) POSITION CLIP	STAIN. STL.	
(2) SCREW, MTG. CLIP	STEEL	ZINC PLT.
(4) FIRE BARRIER	FIRE BAR. MATL.	NATURAL
WIRING TUBE ASSEMBLY		
(4) SCREW, TORX PN.HD.	STEEL	
COLLAR ASSEMBLY		

REV	DESCRIPTION	DATE
2	ADDED 3/4" EMT NOTE, 2.29 [58.2], 2X .41 [10.4], 2.37 [60.2], DELETED 7.01 [178.1], REVISED TITLE FOR SYSTEM ONE. PER DCN 12261 TLS.	3-8-05
1	DCN11999 INITIAL RELEASE	TLS 11-8-04

SYM	REVISIONS	APP	DATE

THE DESIGN AND DIMENSIONS OF THE PRODUCT SHOWN ON THIS DRAWING ARE SUBJECT TO CHANGE WITHOUT NOTICE

TITLE  
SYSTEM ONE  
4X4 SERVICE FITTING

TOLERANCES UNLESS OTHERWISE SPECIFIED	WIRING DEVICE-KELLEMS HUBBELL INCORPORATED BRIDGEPORT, CT	
FRACTIONS $\pm 1/64$	DR. BY PAC	APP. BY TLS
DECIMALS $\pm .005$	TR. BY	SCALE NONE
ANGLES $\pm 2^\circ$	CHK'D BY TLS	DATE 9-21-04

DIMENSIONS IN INCHES [MM]