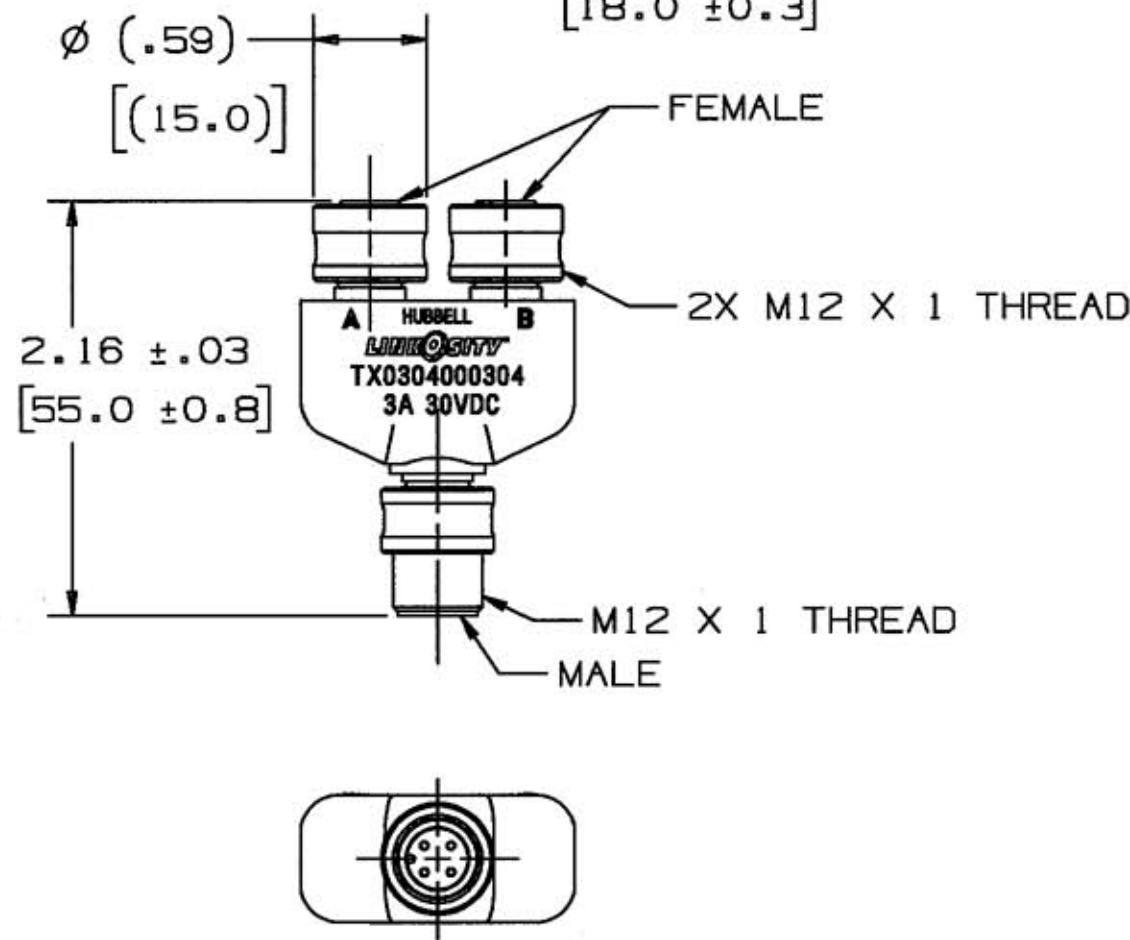
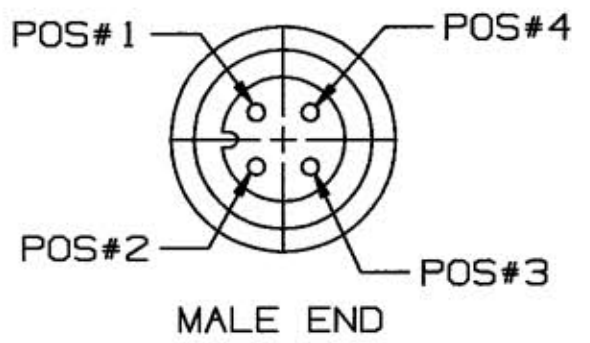
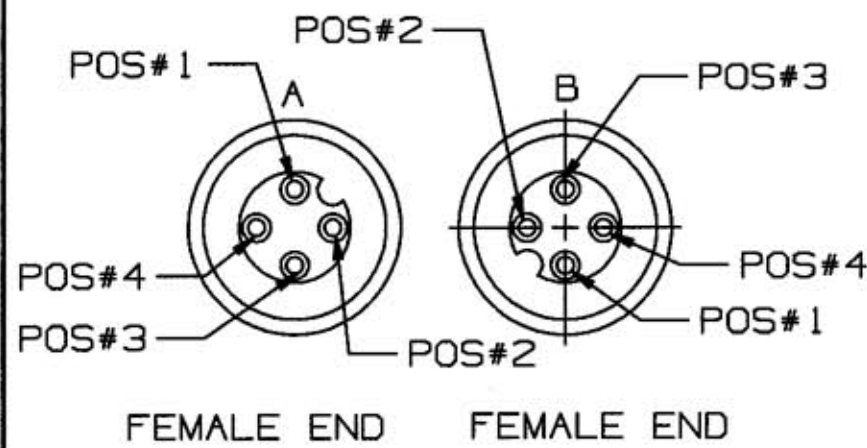
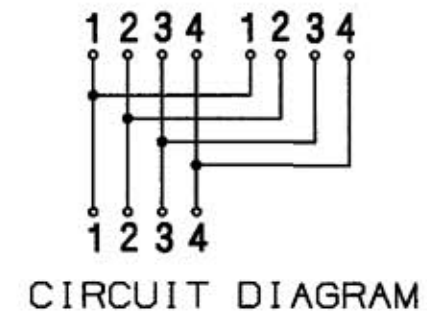
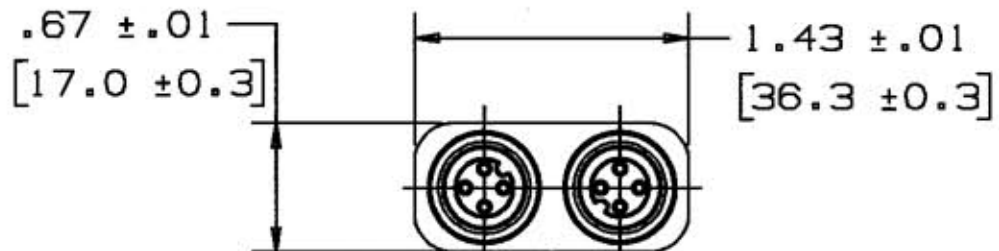


M-9566 1



LIST OF PARTS		
DESCRIPTION	MATERIAL	FINISH
COUPLING NUTS	BRASS	NICKEL PLATED
INSULATORS	6/6 NYLON	WHITE
O RING	SILICONE	GREEN
PIN CONTACTS	BRASS	GOLD OVER PD/NI
OVERMOLD	POLYURETHANE	GRAY
O RING	RUBBER	BLACK
SOCKET CONTACTS	COPPER ALLOY	GOLD OVER PD/NI

DIMENSION SHEET FOR CAT. NO. TX0304000304

REPAIRABLE NON-REPAIRABLE

1	RELEASED PER DCN 12069 CAC	11/30/04 CAC
SYM	REVISIONS	APP DATE

THE DESIGN AND DIMENSIONS OF THE PRODUCT SHOWN ON THIS DRAWING ARE SUBJECT TO CHANGE WITHOUT NOTICE

TITLE TEE, LINKOSITY™
30VDC SINGLE KEY
4P FEM/4P MALE

TOLERANCES UNLESS OTHERWISE SPECIFIED	WIRING DEVICE-KELLEMS HUBBELL INCORPORATED BRIDGEPORT, CT	
FRACTIONS ± 1/64	DR. BY CAC	APP. BY
DECIMALS ± .005	TR. BY	SCALE 1 : 1
ANGLES ± 2°	CHK'D BY	DATE 10/21/04

M-9566

1

- NOTES: UNLESS OTHERWISE SPECIFIED:
1. 3A PER INDIVIDUAL OUTPUT, 3A TOTAL PER TEE.
 2. UL LISTED. NOT FOR CURRENT INTERRUPTION
 3. DIMENSIONS ARE IN INCHES [mm].
 4. LINKOSITY™ IS A TRADEMARK OF LOCKHEED MARTIN.