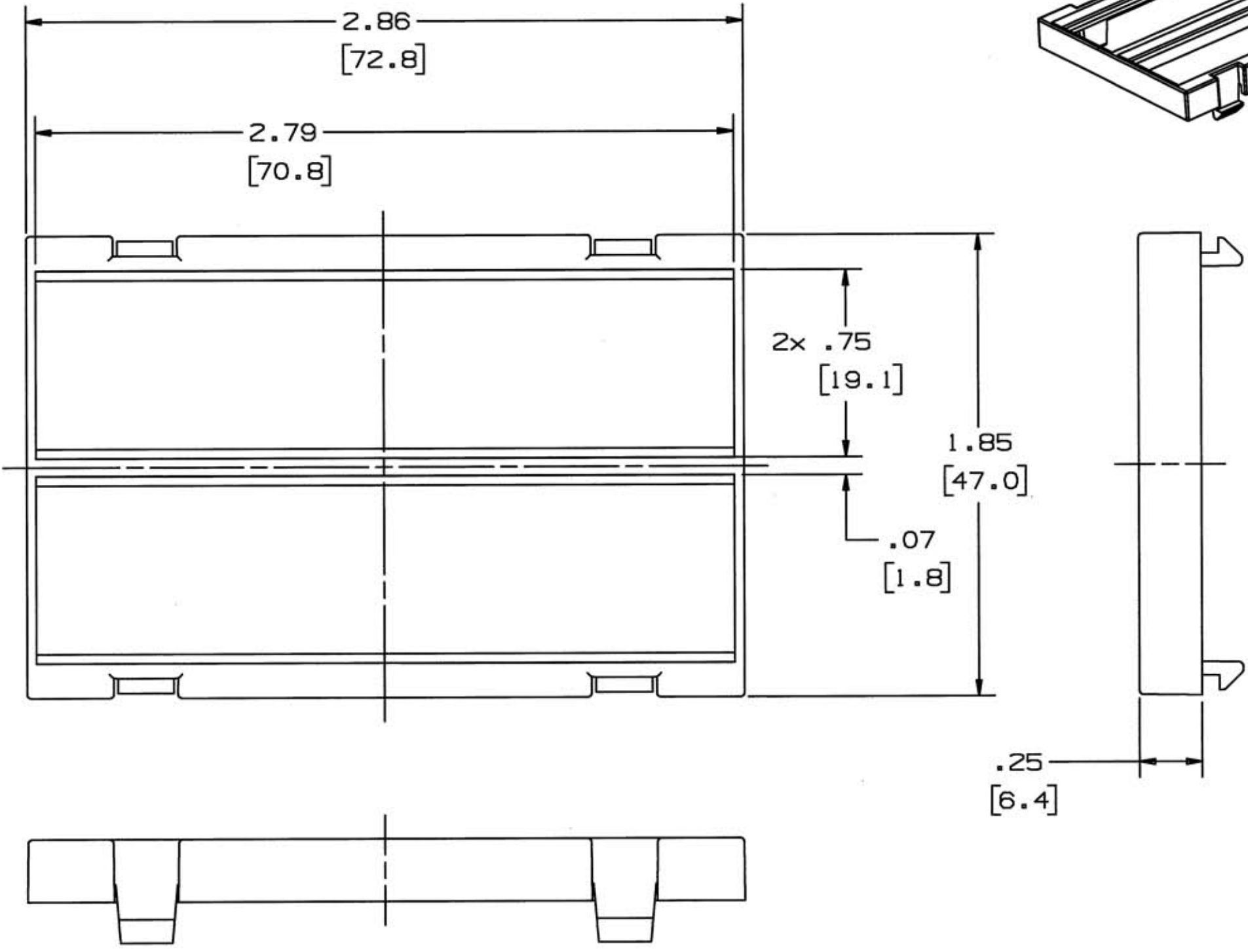
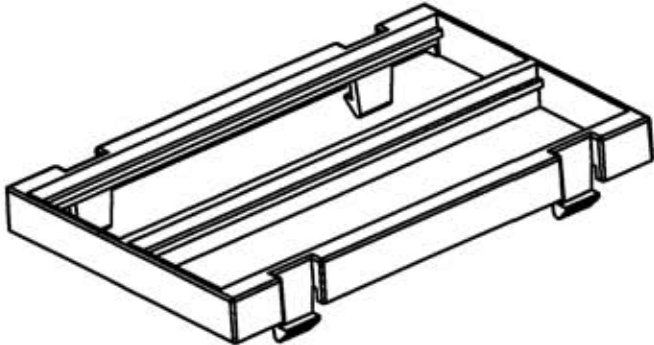


M-9909 1



LIST OF PARTS		
DESCRIPTION	MATERIAL	FINISH
BEZEL	ZYTEL	BLACK

--	--	--	--

1	INITIAL RELEASE DCN. 12803	TLS	10-5-05
SYM	REVISIONS	APP	DATE

THE DESIGN AND DIMENSIONS OF THE PRODUCT SHOWN ON THIS DRAWING ARE SUBJECT TO CHANGE WITHOUT NOTICE

TITLE
MOUNTING BEZEL
ORTRONICS TRACJACK

TOLERANCES UNLESS OTHERWISE SPECIFIED FRACTIONS ± 1/64 DECIMALS ± .005 ANGLES ± 2°	WIRING DEVICE-KELLEMS HUBBELL INCORPORATED BRIDGEPORT, CT	
	DR. BY TJV	APP. BY
	TR. BY	SCALE 2:1
	CHK'D BY	DATE 9-29-05

NOTE: INCHES (mm)

DIMENSION SHEET FOR CAT. NO. SIDFTRAC REPAIRABLE NON-REPAIRABLE B M-9909 1