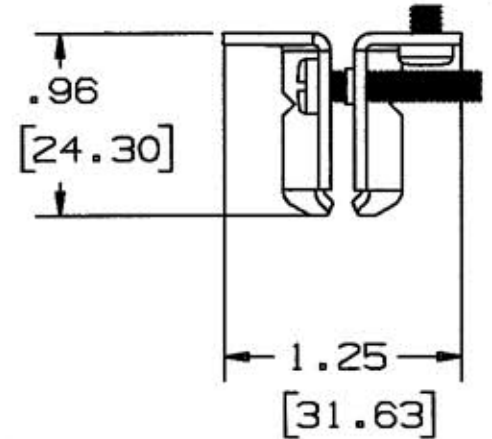
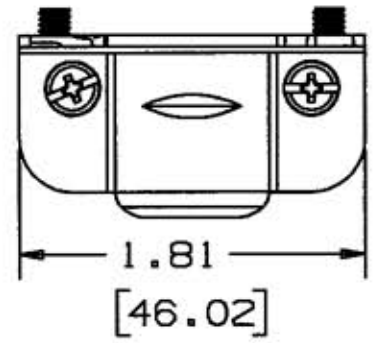
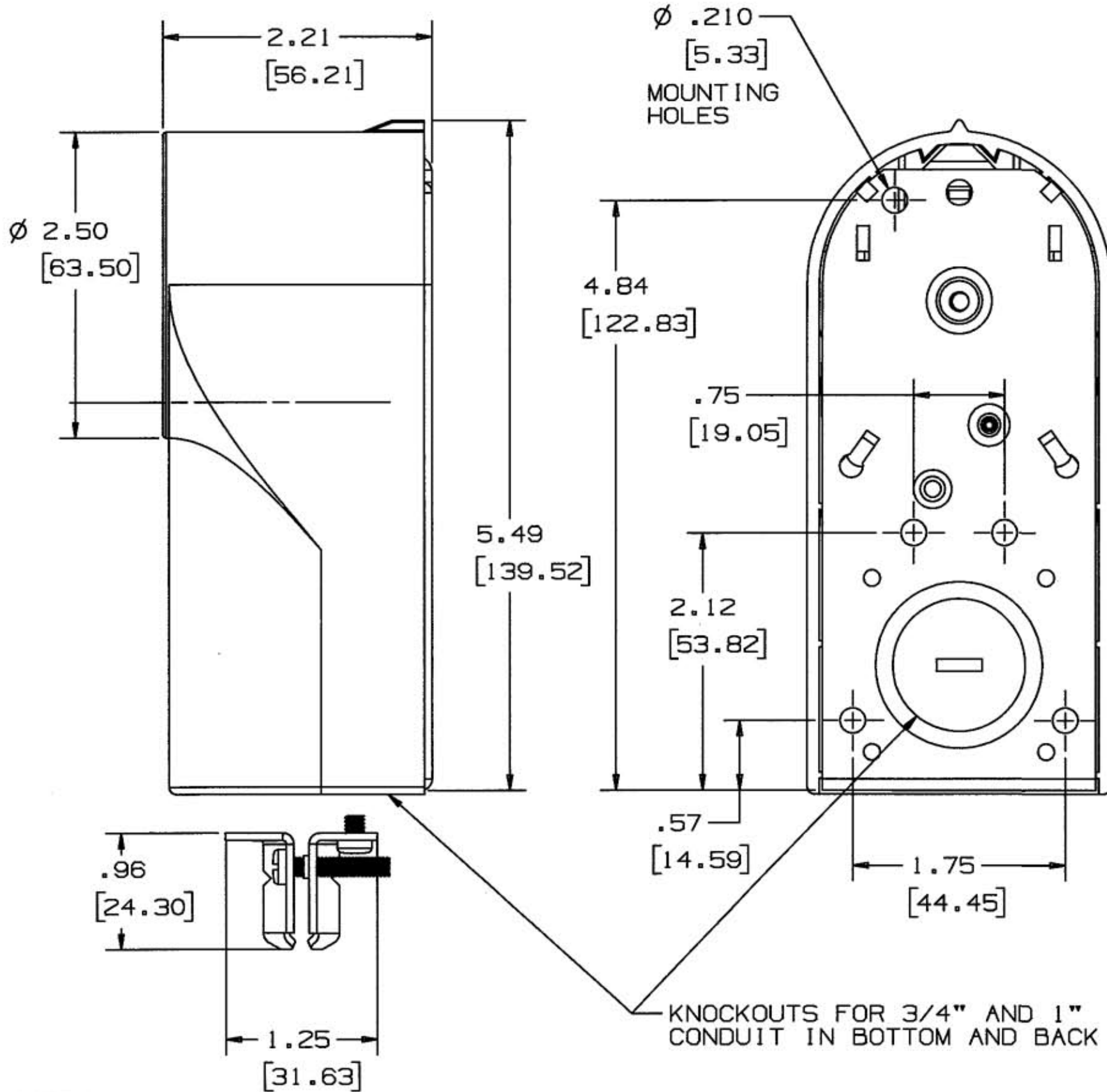
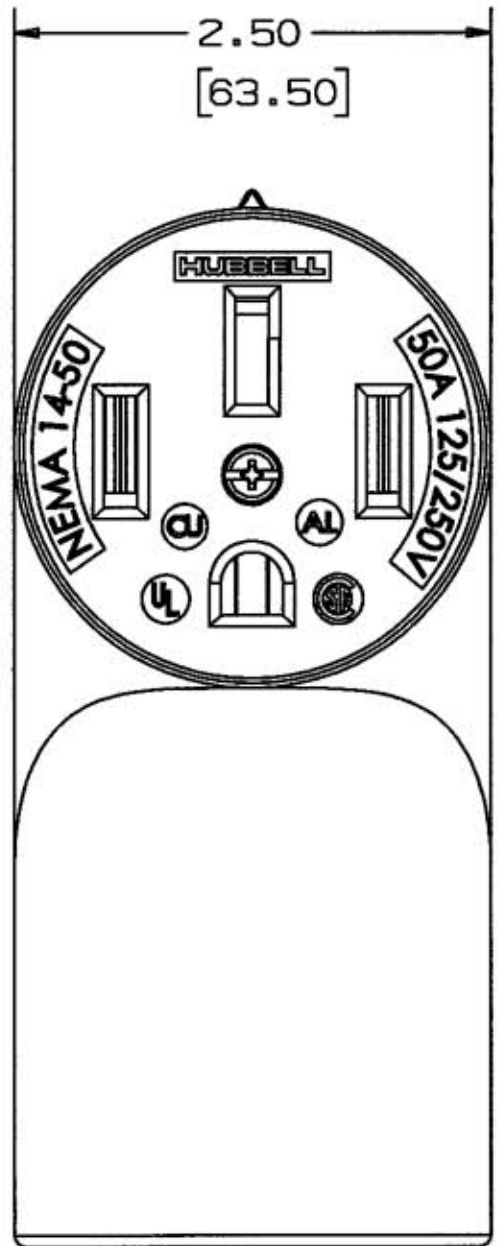


M-9918 1



NOTES:
 1. AWG CAPACITY: #4-#10
 2. FOR USE WITH ALUMINUM AND COPPER WIRE SOLID OR STRANDED
 3. DIM'S ARE IN INCHES [MM].

LIST OF PARTS		
DESCRIPTION	MATERIAL	FINISH
WIRE BASE PLATE	STEEL	ZINC
CORD CLAMPS	STEEL	ZINC
CONTACT BLADES	BRASS	
CONTACT SPRING 30A	BRASS	
CONTACT BASE	PLASTIC	
COVER	PLASTIC	
SCREWS	STEEL	ZINC

SYMBOL	REVISIONS	APP	DATE
1	RELEASE PER DCN# 13429		11/27/08

THE DESIGN AND DIMENSIONS OF THE PRODUCT SHOWN ON THIS DRAWING ARE SUBJECT TO CHANGE WITHOUT NOTICE

TITLE
 SURFACE MOUNT RECEPTACLE
 NEMA 14-50R

TOLERANCES UNLESS OTHERWISE SPECIFIED FRACTIONS ±1/64 DECIMALS ±.005 ANGLES ±2°	WIRING DEVICE-KELLEMS HUBBELL INCORPORATED BRIDGEPORT, CT.	
	DR. BY MPF	APP. BY [Signature]
	TR. BY [Signature]	SCALE 1/1
	CHK'D BY [Signature]	DATE 10/3/05

DIMENSION SHEET FOR CAT. NO. RR450
 REPAIRABLE NON-REPAIRABLE
 B M-9918 1