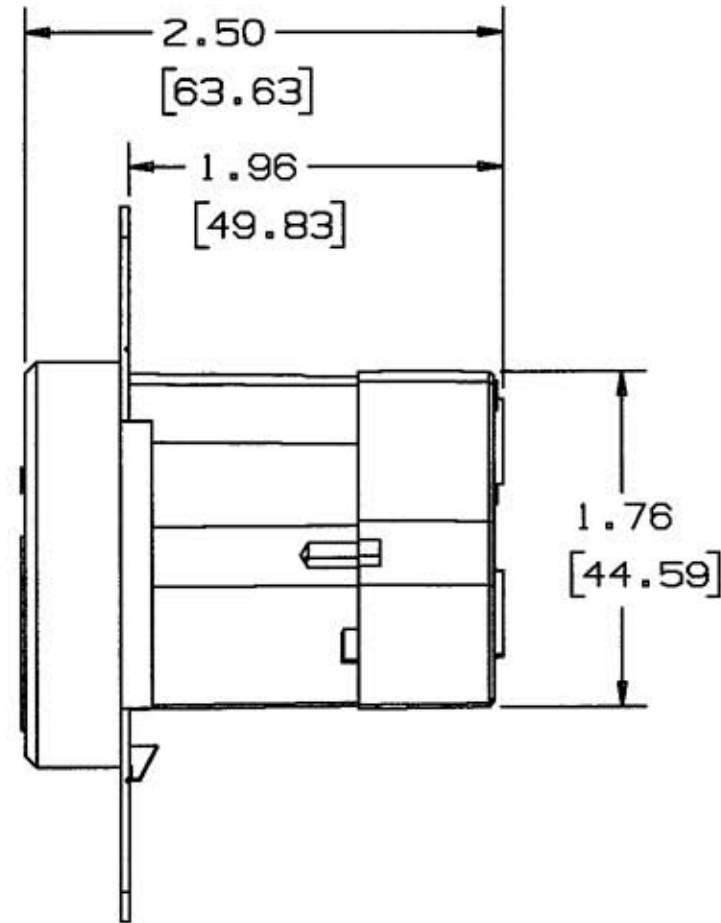
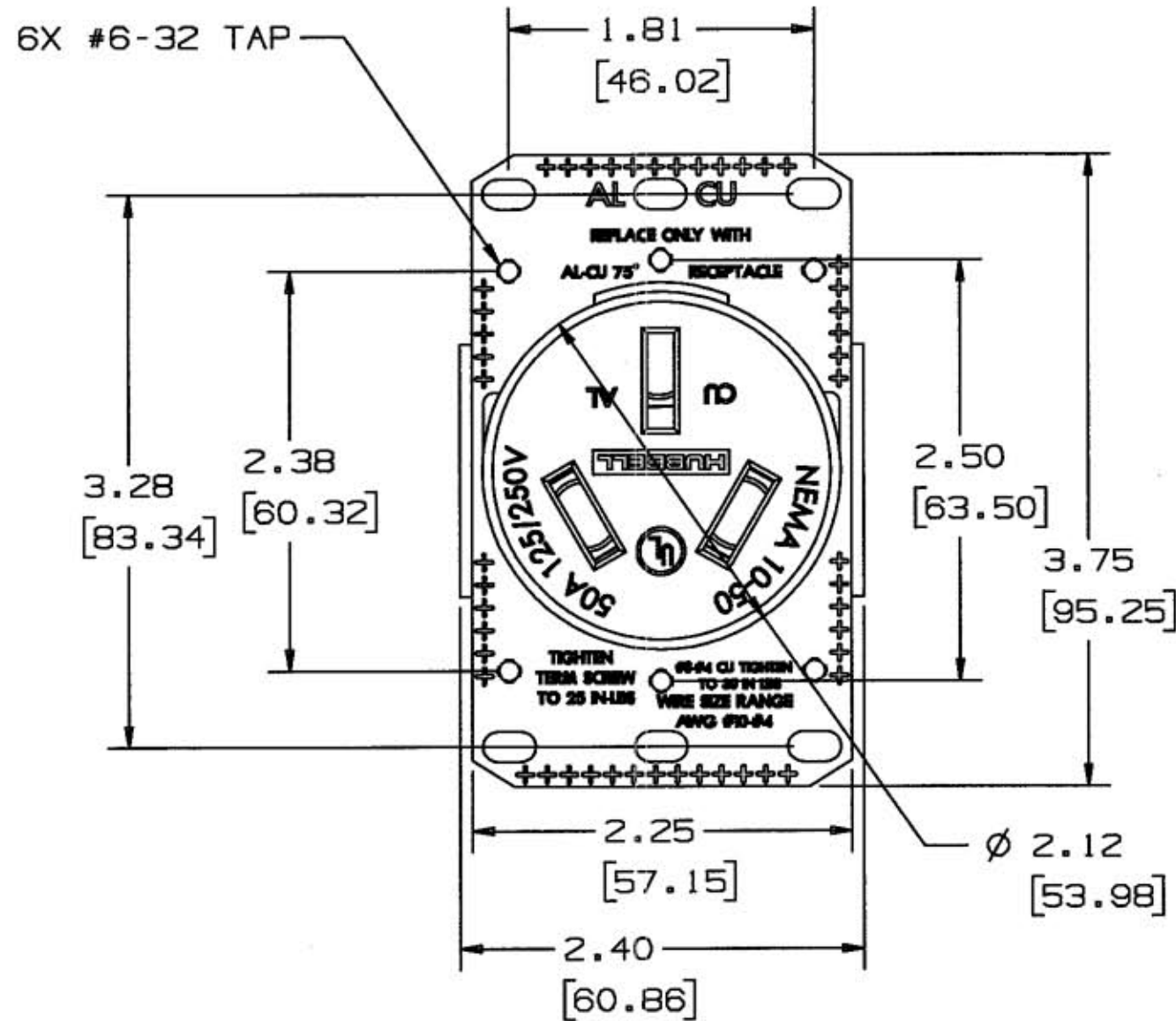


M-9920 1



NOTES: (UNLESS OTHERWISE SPECIFIED)

1. FOR USE WITH ALUMINUM AND COPPER WIRE SOLID OR STRANDED.
2. AWG WIRE RANGE: #4-#10
3. DIM'S ARE IN INCHES (MM).
4. (4) MOUNTING SCREWS - NOT SHOWN (SIZE #6-32UNC).

LIST OF PARTS

DESCRIPTION	MATERIAL	FINISH
DRIVE SCREW	STEEL	ZINC
MOUNTING PLATE	STEEL	ZINC
WIRE TERMINAL	ALUMINUM	TIN
CONTACTS	BRASS	
RETAINER	PLASTIC	TIN
GROUND SHUNT	BRASS	
HOUSING	PLASTIC	
MOUNTING SCREWS	STEEL	ZINC
TERMINAL SCREW	STEEL	ZINC

DIMENSION SHEET FOR CAT. NO. RR350F

REPAIRABLE NON-REPAIRABLE

B

M-9920

1

1	RELEASED PER EC# 13450	11/16/08
SYM	REVISIONS	APP DATE

THE DESIGN AND DIMENSIONS OF THE PRODUCT SHOWN ON THIS DRAWING ARE SUBJECT TO CHANGE WITHOUT NOTICE

TITLE
FLUSH MOUNT RECEPTACLE
NEMA 10-50R

TOLERANCES UNLESS OTHERWISE SPECIFIED FRACTIONS ± 1/64 DECIMALS ± .005 ANGLES ± 2°	WIRING DEVICE-KELLEMS HUBBELL INCORPORATED BRIDGEPORT, CT.	
	DR. BY MPF	APP. BY DMP
	TR. BY	SCALE 1/1
	CHK'D BY DMP	DATE 10/3/05