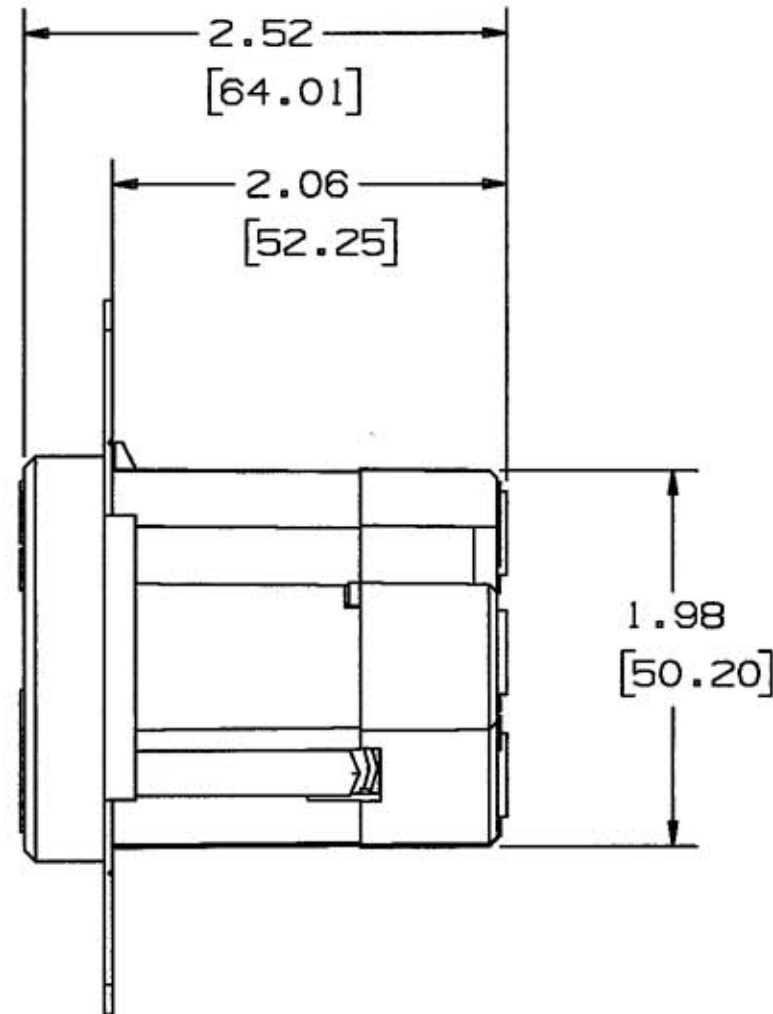
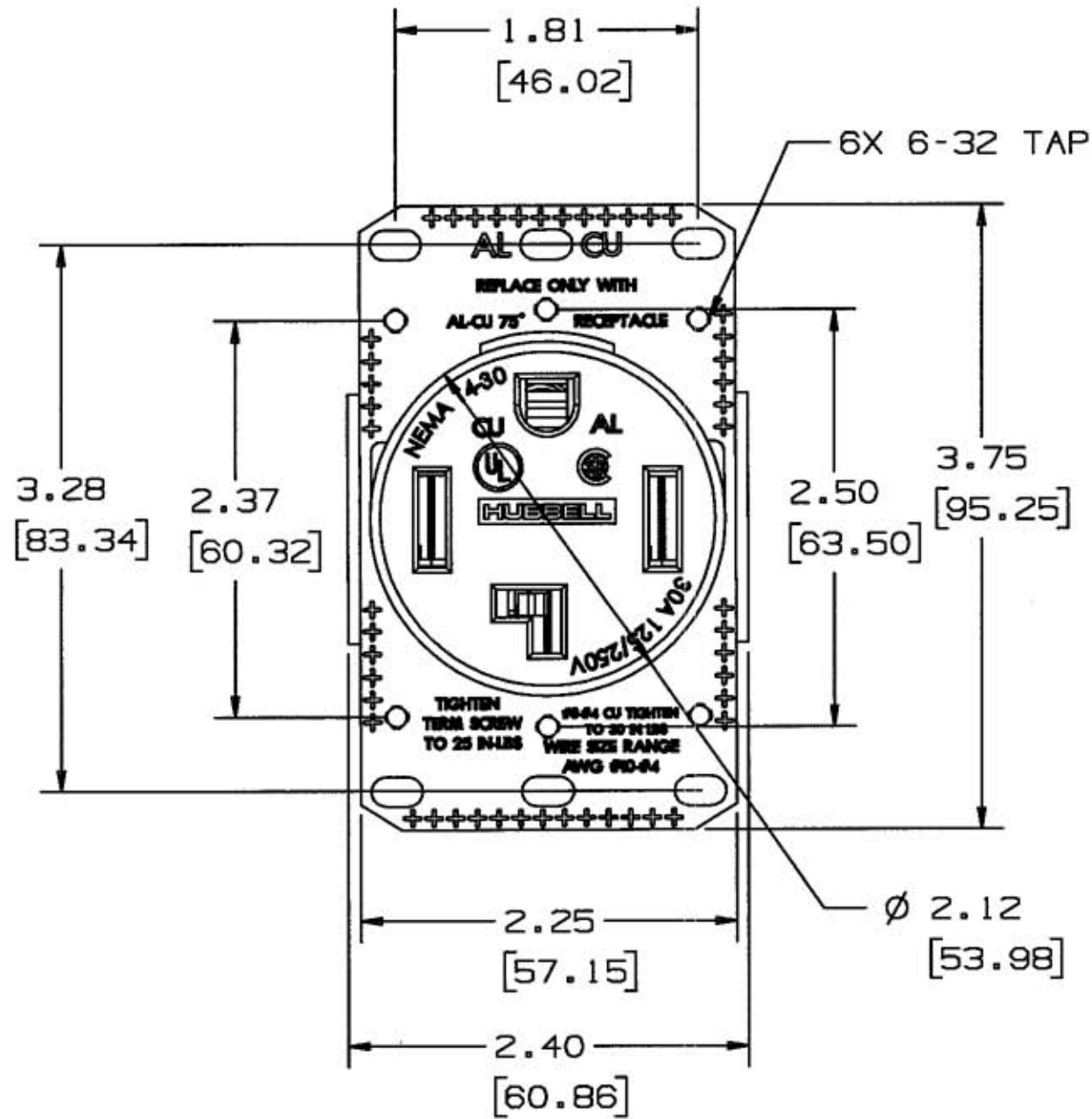


M-9925 1



NOTES: (UNLESS OTHERWISE SPECIFIED)

1. FOR USE WITH ALUMINUM AND COPPER WIRE SOLID OR STRANDED.
2. AWG WIRE RANGE: #4-#10
3. DIM'S ARE IN INCHES [MM].
4. (4) MOUNTING SCREWS - NOT SHOWN (SIZE #6-32UNC).

CODE 74545

LIST OF PARTS

DESCRIPTION	MATERIAL	FINISH
DRIVE SCREW	STEEL	ZINC
MOUNTING PLATE	STEEL	ZINC
WIRE TERMINAL	ALUMINUM	TIN
CONTACTS	BRASS	TIN
RETAINER	PLASTIC	
GROUND SHUNT	BRASS	
HOUSING	PLASTIC	
TERMINAL SCREW	STEEL	ZINC
MOUNTING SCREWS	STEEL	ZINC

DIMENSION SHEET FOR CAT. NO.

RR430F

REPAIRABLE NON-REPAIRABLE

B

M-9925

1

1	RELEASE PER DCN# 13450	11/27/08
SYM	REVISIONS	APP DATE

THE DESIGN AND DIMENSIONS OF THE PRODUCT SHOWN ON THIS DRAWING ARE SUBJECT TO CHANGE WITHOUT NOTICE

TITLE
FLUSH MOUNT RECEPTACLE
NEMA 14-30R

TOLERANCES UNLESS OTHERWISE SPECIFIED FRACTIONS ±1/64 DECIMALS ±.005 ANGLES ±2°	WIRING DEVICE-KELLEMS HUBBELL INCORPORATED BRIDGEPORT, CT.	
	DR. BY MPF	APP. BY DMP
	TR. BY	SCALE 1/1
	CHK'D BY DMP	DATE 10/3/05