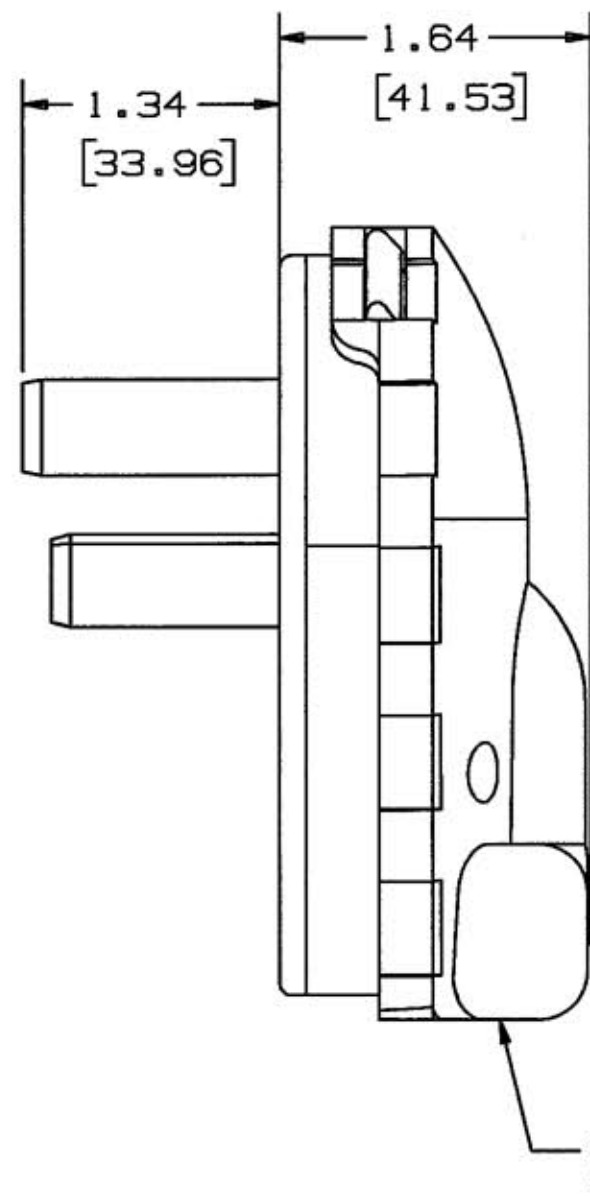
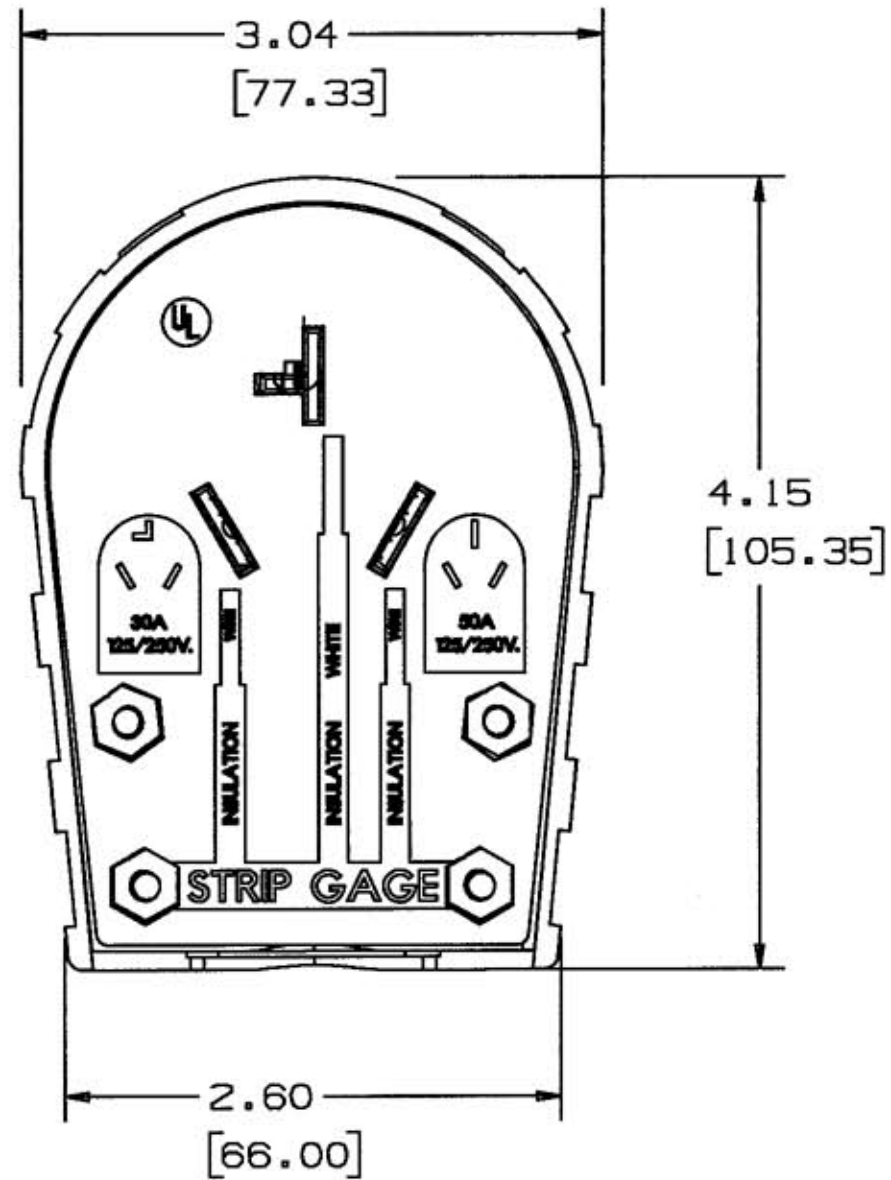


M-9939 1



CONFIGURATION	RATING
NEMA 10-30P	30A 125/250V
NEMA 10-50P	50A 125/250V

NOTES:
 1. CAN BE FIELD WIRED EITHER AS NEMA 10-30P OR 10-50P.
 2. DIMENSIONS ARE IN INCHES [MM].

DESCRIPTION	MATERIAL	FINISH
COVER	PLASTIC	BLACK
TERMINALS	BRASS	
CORD GRIP	PLASTIC	BLACK
BASE	PLASTIC	BLACK
SCREW, COVER	STEEL	ZINC
LOCKNUT	STEEL	ZINC

DIMENSION SHEET FOR CAT. NO. RR335P

REPAIRABLE NON-REPAIRABLE

B

M-9939

1

1	RELEASE PER DCN#13448		11/27/06
SYM	REVISIONS	APP	DATE

THE DESIGN AND DIMENSIONS OF THE PRODUCT SHOWN ON THIS DRAWING ARE SUBJECT TO CHANGE WITHOUT NOTICE

TITLE
 30 & 50 AMP
 3 WIRE ANGLE PLUGS

TOLERANCES UNLESS OTHERWISE SPECIFIED FRACTIONS ± 1/64 DECIMALS ± .005 ANGLES ± 2°	WIRING DEVICE-KELLEMS HUBBELL INCORPORATED BRIDGEPORT, CT.	
	DR. BY MPF	APP. BY DMP
	TR. BY	SCALE 1/1
	CHK'D BY DMP	DATE 10/10/05