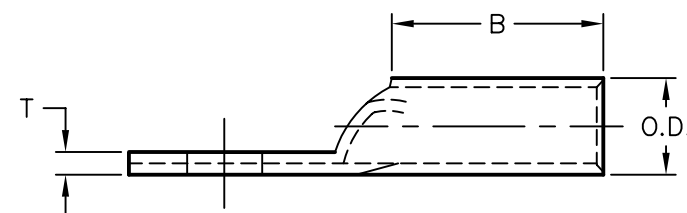
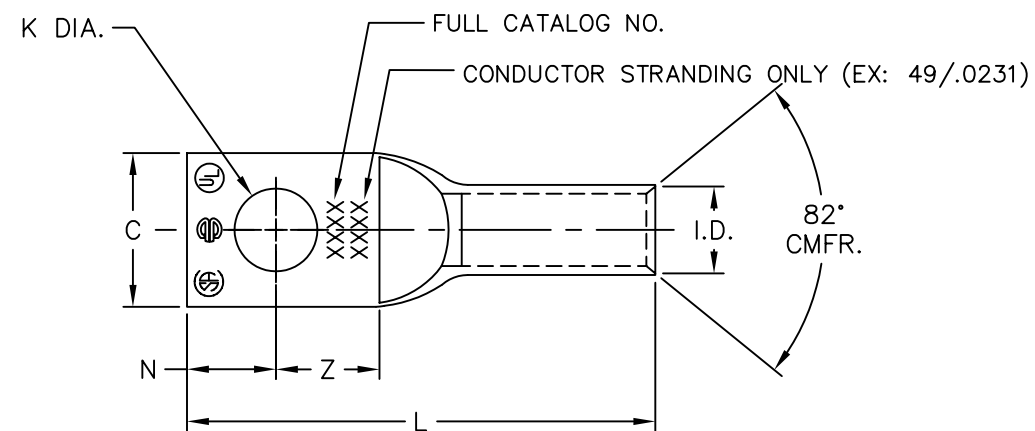


DRAWING NO.
WSD208349

ITEM 3	ACCOMMODATES & CABLE STRANDING	BURNDY CATALOG NUMBERS	I.D. ±.01	O.D. ±.01	B ±.06	C +.04 -.02	K DIA. ±.02	L ±.06	N ±.03	T REF	Z MIN.	INSTALLATION DATA					DIE INDEX
												Y35, Y750 & Y39 HYPRESS			TOOLING		
												T±.030	NEST	INDENTOR	NO.	T±.030	
1	#6 AWG.	YAV6CL2	.23	.31	.50	.60	.39	1.37	.30	.06	.35	.140	UV6L	Y34PLA	MR4C	.130	39
2	49/.0231 CLS.G	YAV6CL10				.74	.52	1.58	.38	.05	.49						
3	#3 AWG.	YAV4CL2	.28	.38	.50	.63	.39	1.42	.31	.06	.33	.182	UV4L	Y34PLA	MR4C	.190	40
4	61/.0294	YAV4CL5				.73	.52	1.62	.38	.05	.47						
5	#1 AWG.	YAV2CL	.36	.46	.53	.69	.39	1.66	.34	.09	.35	.212	UV2L	Y34PLA	---	---	41
6	37/.0476 CLS. C	YAV2CL4				.77	.52	1.82	.38	.08	.46						
7	1/0 AWG.	YAV25L	.44	.56	.69	.83	.39	1.96	.42		.43	.260	UV25L	Y34PA	---	---	43
8	259/.0201	YAV25L3				.88	.52	2.03	.44	.10	.46						
9	CLS.H	YAV25L4				.88	.66	2.31	.50		.62						
10	2/0 AWG.	YA27L4	.49	.62	1.00	.91	.40	2.38	.41	.13	.42	.273	U27D-1	Y34PR2	---	---	1021
11	259/.0227	YA27L				.91	.53	2.62	.53	.12	.55						
12	CLS.H	YA27-G11				1.00	.69	2.94	.66	.11	.75						
13	3/0 AWG.	YA28-G14	.55	.69	1.00	.41	.40	2.47	.44		.44	.330	U28D-1	Y34PR2	---	---	1022
14	259/.0254	YA28L				.53	.53	2.69	.53	.14	.55						
15	CLS.H	YA28-G16				.69	.66	3.00	.66		.75						
16	250 AWG.	YA31L11	.70	.88	1.12	.40	.40	2.98	.53	.17	.57	.477	U31D-1	Y34PR2	---	---	1025
17	259/.0311	YA31L				.53	.53	2.94	.53	.17	.55						
18	CLS.G	YA31L7				.69	.66	3.20	.66	.18	.67						
19	350 AWG.	YA32-G18	.77	.95	1.19	1.38	.41	2.86	.44		.44	.516	U32D-1	Y34PR2	---	---	1026
20	427/.0285	YA32L1				1.40	.56	3.33	.66	.19	.67						
21	CLS.H	YA32L				1.40	.69	3.33	.66		.67						
22	400 AWG.	YA34L37	.83	1.06	1.38	.40	.40		.39		.67	.593	U34D-1	Y34PR2	---	---	1027
23	427/.0306	YA34L6				.56	.66	3.59	.66	.23	.67						
24	CLS.H	YA34L				.69	.66										

REV.	DATE	DESCRIPTION	ECO	BY	C'K'D.
B	4/11/08	REVERSE TUBE REDUCTION CHNG	15552	PL	PL



NOTES:

- MATERIAL: COPPER TUBING
- FINISH: TIN PLATED
- REFERENCE: ITEM NO'S ARE BASED ON ABB PRINT 761C526 REV13.

FOR ABB ONLY

TO ORDER BURNDY PRODUCTS CALL 1-800-346-4175 MANCHESTER, NH 03109, USA FOR PRODUCT INFO = http://www.fciconnect.com		
HYLUGS		
ITEM NO: --		
CAT NO: YA-, YAV- (SEE TABLE)		
SCALE: N/A		
DRAWN BY: R.ROBICHEAU 3/16/93		
CHECKER: D.FILLION 3/16/93		
DSN APPVL: R.MACDONALD 3/22/93		
MFG APPVL: --		
QC APPVL: A.LLOYD 3/22/93	DRAWING NO	REV
MKT APPVL: P.WORTHMAN 3/29/93	WSD208349	B
PROD FAM: --	SIZE	
PROJECT #: --	C	
DOCUMENT TYPE: Sales	SHEET 1 OF 1	
REL LEVEL: --		