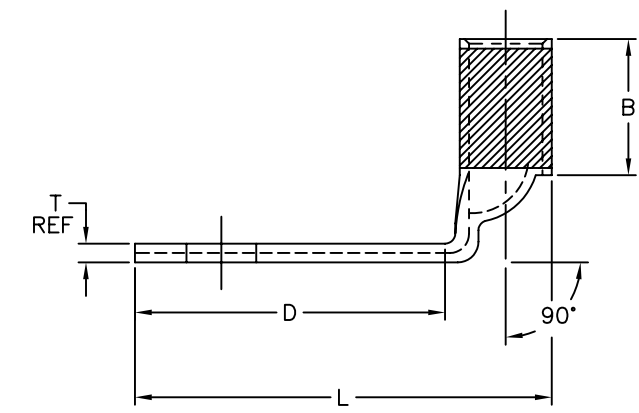
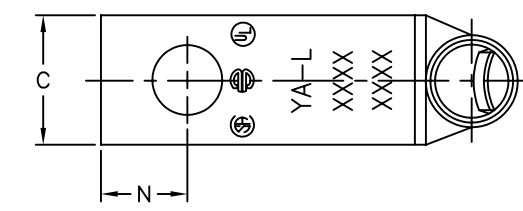


REV.	DATE	DESCRIPTION	ECO	BY	C*K'D.
B	4/11/08	REVERSE TUBE REDUCTION CHNG	15552	PL	PL

CATALOG NUMBER	CODE CONDUCTOR (AWG OR kcmil)	BOLT SIZE	DIMENSIONS							TONGUE MARKINGS	INSTALLATION TOOLING				WIRE STRIP LENGTH	
			B REF	C REF	D REF	L REF	N REF	T REF	HYDRAULIC TOOLS							
									Y35		Y39	Y46	Y750	DIE INDEX		COLOR CODE
									Y358H		Y750BH	DIE SET	# CRIMPS			
YA25L-TC38D200-90	1/0 STR. CU.	3/8	.88	.75	2.00	2.57	.29	.12	1/0 STR N100 PINK DIE 12	U25RT	1	12	PINK	15/16"		
YA26L-NT516D125-90	2/0 STR. CU.	5/16	.94	.73	1.25	1.87	.38	.12	2/0 STR N125 BLACK DIE 13	U26RT	1	13	BLACK	1"		
YA26L-TC38D188-90	2/0 STR. CU.	3/8	.94	.83	1.88	2.50	.50	.12	2/0 STR N125 BLACK DIE 13	U26RT	1	13	BLACK	1"		
YA27L-TC38D200-90	3/0 STR. CU.	3/8	1.00	.93	2.00	2.68	.38	.13	3/0 STR N150 ORANGE DIE 14	U27RT	1	14	ORANGE	1 1/16"		
YA27L-NT38D188-90	3/0 STR. CU.	3/8	1.00	.72	1.88	2.55	.38	.13	3/0 STR N150 ORANGE DIE 14	U27RT	1	14	ORANGE	1 1/16"		
YA28L-NT38D200-90	4/0 STR. CU.	3/8	1.00	.72	2.00	2.76	.38	.14	4/0 STR N200 PURPLE DIE 15	U28RT	1	15	PURPLE	1 1/16"		
YA28L-TC38D200-90	4/0 STR. CU.	3/8	1.00	1.03	2.00	2.76	.38	.14	4/0 STR N200 PURPLE DIE 15	U28RT	1	15	PURPLE	1 1/16"		
YA29L-TC38D238-90	250 kcmil CU.	3/8	1.06	1.13	2.38	3.21	.38	.16	250 kcmil N250 YELLOW DIE 16	U29RT	1	16	YELLOW	1 1/8"		
YA29L-TC12D250-90	250 kcmil CU.	1/2	1.06	1.13	2.50	3.33	.50	.16	250 kcmil N250 YELLOW DIE 16	U29RT	1	16	YELLOW	1 1/8"		
YA29L-NT38D188-90	250 kcmil CU.	3/8	1.06	.73	1.88	2.70	.38	.16	250 kcmil N250 YELLOW DIE 16	U29RT	1	16	YELLOW	1 1/8"		
YA34L-TC12D300-90	500 kcmil CU.	1/2	1.38	1.63	3.00	4.17	.50	.21	500 kcmil BROWN DIE 20	U34RT	2	20	BROWN	1 7/16"		



REFERENCE: FE207407

TO ORDER BURNDY® PRODUCTS CALL 1-800-346-4175  
 MANCHESTER, NH 03109, USA  
 FOR PRODUCT INFO = <http://www.fciconnect.com>

LIEBERT CONNECTORS

ITEM NO: ---

CAT NO: YA-L-D (SEE TABLE)

SCALE: N/A	FCJ BURNDY PRODUCTS
DRAWN BY: JEL 11/7/91	DRAWING NO
CHECKER: K.HENRY 11/12/91	
DSN APPVL: N.FERRARO 11/11/91	REV
MFG APPVL: ---	
QC APPVL: A.LLOYD 11/13/91	PROJECT #
MKT APPVL: G.GORDON 11/14/91	
PROD FAM: ---	SIZE
PROJECT #	
DOCUMENT TYPE: ---	SHEET 1 OF 1
REL LEVEL: ---	

- NOTES:
- CAT. NO. PUADP ADAPTOR IS REQUIRED TO USE "U" TYPE DIES IN Y46 SERIES TOOLS.
  - MATERIAL: COPPER.
  - FINISH: TIN PLATED.