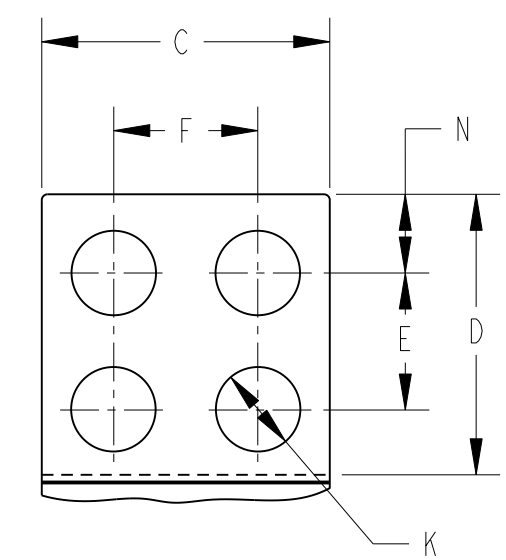
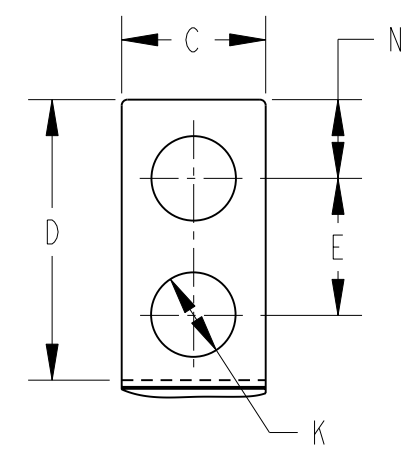
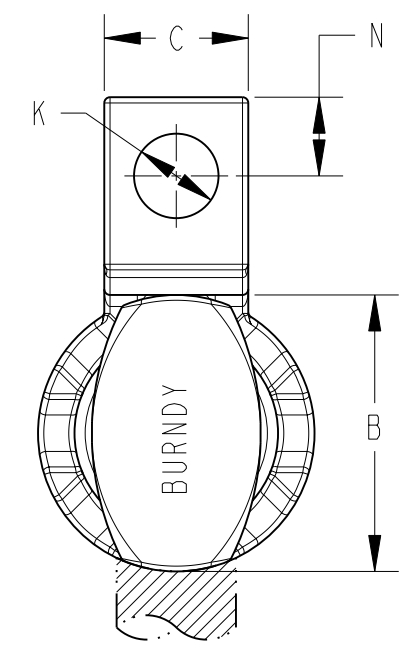
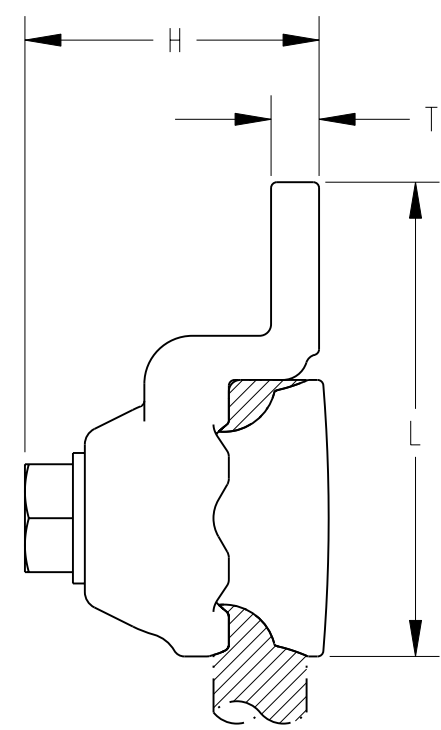


REV.	DATE	DESCRIPTION	ECO	BY	C'H'K.
B	3/10/2010 12:00:00 AM	CHANGES AS PER MARKUPS	20549	MB	BSK



TYPE EA

NOTES:

- A CLAMP TYPE LUG WHICH ACCOMMODATES A LARGE RANGE OF CABLES. CLAMPING ELEMENT ADJUSTABLE TO SEVERAL ANGLES AND INCREASES IN COMPACTNESS AS IT CLOSES DOWN ON SMALLER CABLES. THE FLEXIBILITY AND RANGE OF THIS TERMINAL MAKE IT FEASIBLE TO MAINTAIN A SMALL STOCK TO SERVE A GREAT VARIETY OF APPLICATIONS
- MOUNTING HOLES CONFORM TO NEMA STANDARDS.
- DOES NOT PERMIT CABLE TO ENTER AT 45° ANGLE.

REFERENCES : FC47799
 SUPERSEDES : SC7980-10

TO ORDER BURNDY® PRODUCTS CALL		VERSILUG	
UNITED STATES: 1-800-346-4175 (LONDONDERRY, NH)		ITEM NO: NA	
CANADA: 1-800-361-6975 (QUEBEC) 1-800-387-6487 (ALL OTHER PROVINCES)		CAT. NO: EA - (GEN'L)	
FOR PRODUCT INFO: http://www.burndy.com		DRAWN BY: L.L. 08/30/40	
		CHECKER: BSK 06/23/09	
		DSN APPVL: BSK 06/26/09	
		MFG APPVL: --	
		QA APPVL: --	
		MKT APPVL: --	
		PROD FAM: --	
		PROJECT #: --	
		DOCUMENT TYPE: Sales	
		REL LEVEL: Released	
		SCALE: 1.000	
		DRAWING NO	
		REV	
		SIZE	
		DRAWING NO	
		REV	
		SHEET 1 OF 2	

REV: PE0200

CABLE RANGE		NO. OF HOLES IN PAD	CATALOG NUMBER	APPROX. SHIP. WT. IN LBS.	DIMENSIONS IN INCHES								
MIN.	MAX.				B	C	D	E&F	H	K	L	N	T
#8 SOL.	#2 STR.	1	EA2C	.28	1.13	.81	--	--	1.38	.44	2.50	.41	.25
#8 SOL.	#2 STR.	2	EA2C-2	.31	1.13	.75	--	.75	1.38	.34	3.19	.38	.25
#2 STR.	1/0 STR.	1	EA25	.32	1.25	.88	--	--	1.44	.44	2.69	.44	.25
#2 STR.	1/0 STR.	2	EA25-2	.36	1.25	.88	--	.88	1.44	.34	3.44	.34	.25
1/0 STR.	4/0 STR.	1	EA28	.59	1.44	1.06	--	--	1.75	.44	3.19	.53	.31
1/0 STR.	4/0 STR.	2	EA28-2	.67	1.44	1.06	--	1.00	1.75	.44	3.94	.41	.31
1/0 STR.	4/0 STR.	2	EA28-2N <2	.77	1.44	1.06	--	1.75	1.75	.56	5.13	.63	.31
250 Kcmil	500 Kcmil	1	EA34	1.2	1.94	1.38	--	--	2.25	.56	4.00	.81	.38
250 Kcmil	500 Kcmil	2	EA34-2	1.3	1.94	1.38	--	1.00	2.25	.44	4.50	.44	.38
250 Kcmil	500 Kcmil	2	EA34-2N <2	1.4	1.94	1.38	--	1.75	2.25	.56	5.63	.63	.38
250 Kcmil	500 Kcmil	4	EA34-4	1.4	1.94	1.88	--	1.00	2.25	.44	4.50	.44	.38
500 Kcmil	800 Kcmil	1	EA40 <3	1.9	2.31	1.63	--	--	2.69	.69	4.69	.94	.38
500 Kcmil	800 Kcmil	2	EA40-2 <3	2.0	2.31	1.63	--	1.13	2.69	.44	5.06	.44	.38
500 Kcmil	800 Kcmil	2	EA40-2N <2 <3	2.1	2.31	1.63	--	1.75	2.69	.56	6.06	.63	.38
500 Kcmil	800 Kcmil	4	EA40-4 <3	2.0	2.31	1.88	--	1.00	2.69	.44	4.94	.44	.38
500 Kcmil	800 Kcmil	4	EA40-4N <2 <3	2.6	2.31	3.00	--	1.75	2.69	.56	6.06	.63	.38
750 Kcmil	1000 Kcmil	1	EA44 <3	2.5	2.63	1.88	--	--	2.94	.69	5.06	1.00	.50
750 Kcmil	1000 Kcmil	2	EA44-2 <3	2.7	2.63	1.88	--	1.25	2.94	.56	5.88	.53	.50
750 Kcmil	1000 Kcmil	2	EA44-2N <2 <3	3.0	2.63	1.88	--	1.75	2.94	.56	6.56	.63	.50
750 Kcmil	1000 Kcmil	4	EA44-4 <3	2.8	2.63	2.13	--	1.13	2.94	.44	5.56	.50	.50
750 Kcmil	1000 Kcmil	4	EA44-4N <2 <3	3.5	2.63	3.00	--	1.75	2.94	.56	6.44	.63	.50

REV.	DATE	DESCRIPTION	ECO	BY	C'H'K.
B	3/10/2010 12:00:00 AM	CHANGES AS PER MARKUPS	20549	MB	BSK

REV: PE0200

TO ORDER BURNDY® PRODUCTS CALL
 UNITED STATES:
 1-800-346-4175 (LONDONDERRY, NH)
 CANADA:
 1-800-361-6975 (QUEBEC)
 1-800-387-6487 (ALL OTHER PROVINCES)
 FOR PRODUCT INFO: <http://www.burndy.com>

VERSILUG	
ITEM NO: NA	
CAT. NO: EA - (GEN'L)	
DRAWN BY: L.L.	08/30/40
CHECKER: BSK	06/23/09
DSN APPVL: BSK	06/26/09
MFG APPVL: --	--
QA APPVL: --	--
MKT APPVL: --	--
PROD FAM: --	--
PROJECT #: --	SCALE: 1.000
DOCUMENT TYPE: Sales	DRAWING NO: SA007980
REL LEVEL: Released	REV: B
	SHEET 2 OF 2

