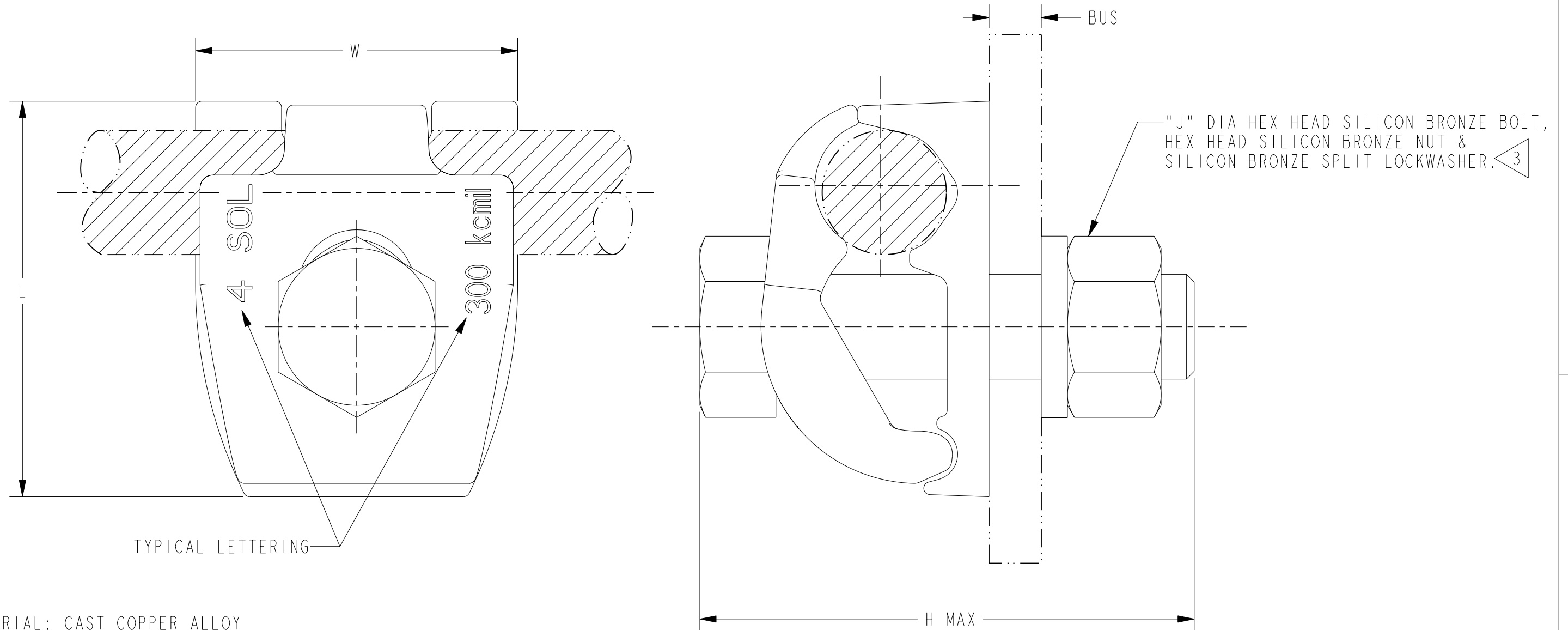


CATALOG NO.	ACCOMMODATES COPPER CABLE		BUS	H	"J" DIA.	L	W
	AWG	METRIC					
GBL30	4 SOL (.204 DIA)	23.8mm ² (5.50mm DIA.)	5/16" MAX.	2.32 [59]	1/2-13 ---	1 7/8 [48]	1 1/2 [38]
GBL30GS	300 kcmil (.630 DIA.)	150mm ² (16mm DIA.)	[8] MAX.				

REV.	DATE	DESCRIPTION	ECO	BY	C'H'K.
C	10/10/2013 00:00:00 AM	DD BUS THICKNESS NOTE TO THE DRAWING SA209089-01 AND REDLINE THE DRAWING FOR CAT_GBL30T4 (26423X)	33605	BM	RL



NOTES:

- 1 MATERIAL: CAST COPPER ALLOY
- 2 DIMENSIONS IN BRACKETS [] DENOTES METRIC UNITS [SI UNITS] AND ARE ROUNDED TO THE NEAREST WHOLE NUMBER. UNLESS OTHERWISE SPECIFIED THESE UNITS SHALL BE USED FOR REFERENCE ONLY.
- 3 SUFFIX "GS" DENOTES GALVANIZED STEEL HARDWARE.
- 4 THE CATALOG NUMBER ACCOMMODATES THE INDICATED CABLE RANGE AND UP TO A 1/4" THICK BAR OPTIONAL BOLT LENGTHS AVAILABLE TO ACCOMMODATE UP TO A 1" THICK BAR. FOR BAR THICKNESS FROM 1/4" - 1/2" ADD SUFFIX "T4" TO THE CATALOG NUMBER. FOR BAR THICKNESS FROM 1/2" - 1" ADD SUFFIX "T8" TO THE CATALOG NUMBER.

TO ORDER BURNDY® PRODUCTS CALL		GROUND CONNECTOR	
UNITED STATES:		ITEM NO: 264190, 26421U	
1-800-346-4175 (LONDONDERRY, NH)		CAT. NO: GBL30, GBL30GS	
CANADA:		DRAWN BY: N PRESSMAN 04.11.94	
1-800-361-6975 (QUEBEC)		CHECKER: K HENRY 04.11.94	
1-800-387-6487 (ALL OTHER PROVINCES)		DSN APPVL: L TROMBLEY 10/12/13	
FOR PRODUCT INFO: http://www.burndy.com		MFG APPVL: --	
		QA APPVL: J HILLMAN 10/11/13	
		MKT APPVL: P THERRIEN 10/10/13	
		SCALE: 2:1	
		DRAWING NO	
		PROJECT #: --	
		SIZE	
		DOCUMENT TYPE: Sales	
		REL LEVEL: Released	
		SA209089-01	
		SHEET 1 OF 1	
		REV	
		C	