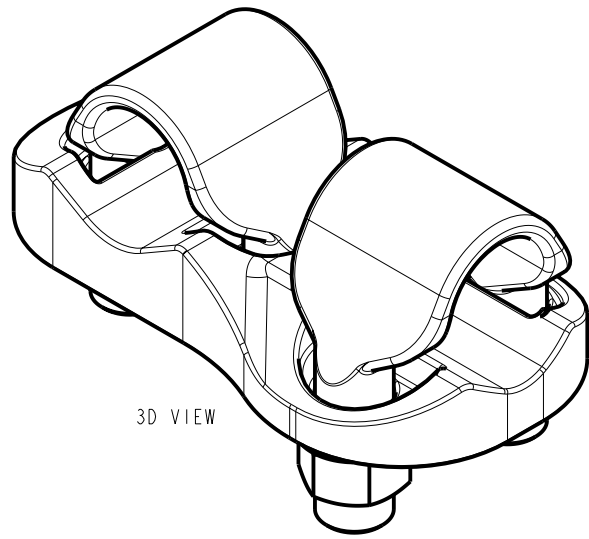


NOTES:

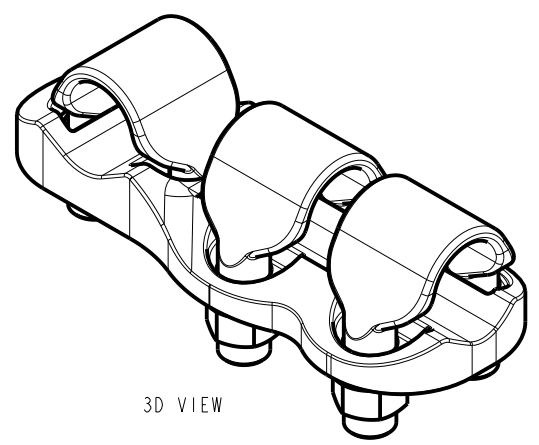
- 1 MATERIAL: BODY: CAST COPPER ALLOY
- 2 ACCOMMODATES: SEE TABLE
- 3 NOMINAL BOLT INSTALLATION TORQUE: SEE TABLE
- 4 DIMENSIONS IN BRACKETS [] DENOTES METRIC UNITS [SI UNITS] AND ARE ROUNDED TO THE NEAREST WHOLE NUMBER. UNLESS OTHERWISE SPECIFIED THESE UNITS SHALL BE USED FOR REFERENCE ONLY.
- 5 THE CONCEPT SHOWN INCORPORATES DESIGN PRINCIPLES WHICH PERMIT OPERATION AT A VOLTAGE GRADIENT NORMALLY ASSOCIATED WITH 138 KV RMS OPERATION PHASE TO PHASE.
- 6 SERVIT, TYPE KS USED IN PLACE OF V BOLT ON RUN AND TAP CABLES.
- 7 SERVIT, TYPE KS USED IN PLACE OF V BOLT ON TAP CABLES.
- 8 PLATED VERSIONS: ADD THE REQUIRED SUFFIX TO THE CATALOG NUMBER.
 TN --- TIN PLATE BODY AND CAP ONLY. HARDWARE IS NOT PLATED.
 W --- TIN PLATED BODY, CAP AND HARDWARE.
 NK --- NICKEL PLATE BODY, CAP AND HARDWARE

9 MARKING:
 BURNDY
 --- (CATALOG NUMBER)
 --- (ACCOMMODATES)

EG:
 BURNDY
 VT2C2C
 #8 - #2 Kcmil
 #8 - #2 Kcmil



3D VIEW



3D VIEW

TO ORDER BURNDY® PRODUCTS CALL		VARITAPS	
UNITED STATES 1-800-346-4175 (LONDONDERRY, NH)		ITEM NO: SEE TABLE	CAT. NO: SEE TABLE
CANADA: 1-800-361-6975 (QUEBEC) 1-800-387-6487 (ALL OTHER PROVINCES)		DRAWN BY: M KATHIR 12/03/14	CHECKER: R LAVOIE 01/26/15
FOR PRODUCT INFO: http://www.burndy.com		DSN APPVL: R LAVOIE 01/26/15	MFG APPVL: --
		QA APPVL: J HILLMAN 02/04/15	MKT APPVL: S MOIST 01/24/15
		PROJ #:	SCALE: 1:1
		PROJ FAM: SUBSTATION	DRAWING NO: SA004362-01
		SIZE: D	REV: A
		DOCUMENT TYPE: Sales	SHEET 1 OF 3
		REL LEVEL: Released	

REV	DATE	DESCRIPTION	ECO	BY	C'H'K'
A	01/03/2014 00:00:00 AM	REDRAW SA004362 - (VT & VTT CAT NUMBERS)	34498	MK	RL

REV: PEO200

DRAWING NO.
SA004362-01

7

6

5

4

3

2

1

ACCOMMODATES, CABLE RANGE \triangleleft 2

DIMENSIONS IN INCHES

ITEM NO.	CATALOG NO.	APPROX SHIP. WT. IN LBS [MM]	ITEM NO.	CATALOG NO.	APPROX SHIP. WT. IN LBS [MM]	ACCOMMODATES, CABLE RANGE \triangleleft 2				DIMENSIONS IN INCHES								
						RUN-A		TAP-AA		H	J \triangleleft 3	BOLT TORQUE IN LBS [Nm] \triangleleft 3	JJ \triangleleft 3	BOLT TORQUE IN LBS [Nm] \triangleleft 3	L(VT)	L(VTT)	W	
						MIN.	MAX.	MIN.	MAX.									
338348	VT2C2C	.38 [10]	50054055	VTT2C2C	.57 [14]	#8 SOL (.146 [4] DIA.)	#2 STR (.292 [7] DIA.)	#8 SOL (.146 [4] DIA.)	#2 STR (.292 [7] DIA.)	1.31 [33]	--	--	5/8	660 [75]	2.31 [59]	3.63 [92]	1.00 [25]	\triangleleft 6
338356	VT2525	.53 [13]	50054056	VTT2525	.79 [20]	#6 SOL (.184 [5] DIA.)	1/0 STR (.373 [9] DIA.)	#6 SOL (.184 [5] DIA.)	1/0 STR (.373 [9] DIA.)	1.63 [41]	--	--	3/4	1050 [119]	2.63 [67]	4.06 [103]	1.19 [30]	\triangleleft 6
338364	VT2825	.63 [16]	50054057	VTT2825	.90 [23]	1/0 STR (.373 [9] DIA.)	4/0 STR (.528 [13] DIA.)	#6 SOL (.184 [5] DIA.)	1/0 STR (.373 [9] DIA.)	1.63 [41]	3/8	240 [28]	3/4	1050 [119]	3.13 [80]	4.56 [116]	1.19 [30]	\triangleleft 7
10011927	VT2825NK																	\triangleleft 8
338372	VT2828	.73 [19]	338564	VTT2828	1.10 [28]	1/0 STR (.373 [9] DIA.)	4/0 STR (.528 [13] DIA.)	1/0 STR (.373 [9] DIA.)	4/0 STR (.528 [13] DIA.)	1.63 [41]	3/8	240 [28]	3/8	240 [28]	3.06 [78]	4.31 [109]	1.69 [43]	
338380	VT3025	.77 [20]	50054058	VTT3025	1.10 [28]	1/0 STR (.373 [9] DIA.)	300 Kcmil (.630 [16] DIA.)	#6 SOL (.184 [5] DIA.)	1/0 STR (.373 [9] DIA.)	1.88 [48]	7/16	360 [41]	3/4	1050 [119]	3.38 [86]	4.81 [122]	1.19 [30]	\triangleleft 7
338072	VT3028	.86 [22]	50054059	VTT3028	1.30 [33]	1/0 STR (.373 [9] DIA.)	300 Kcmil (.630 [16] DIA.)	1/0 STR (.373 [9] DIA.)	4/0 STR (.528 [13] DIA.)	1.88 [48]	7/16	360 [41]	3/8	240 [28]	3.19 [81]	4.44 [113]	1.69 [43]	
338396	VT3030	1.00 [25]	27014984	VTT3030	1.60 [41]	1/0 STR (.373 [9] DIA.)	300 Kcmil (.630 [16] DIA.)	1/0 STR (.373 [9] DIA.)	300 Kcmil (.630 [16] DIA.)	1.88 [48]	7/16	360 [41]	7/16	360 [41]	3.32 [84]	4.69 [119]	1.94 [49]	
338412	VT3425	1.20 [30]	50054060	VTT3425	1.50 [38]	300 Kcmil (.630 [16] DIA.)	500 Kcmil (.813 [21] DIA.)	#6 SOL (.184 [5] DIA.)	1/0 STR (.373 [9] DIA.)	3.34 [85]	1/2	480 [55]	3/4	1050 [119]	3.69 [94]	5.13 [130]	1.19 [30]	\triangleleft 7
338420	VT3428	1.30 [33]	338015	VTT3428	1.60 [41]	300 Kcmil (.630 [16] DIA.)	500 Kcmil (.813 [21] DIA.)	1/0 STR (.373 [9] DIA.)	4/0 STR (.528 [13] DIA.)	3.34 [85]	1/2	480 [55]	3/8	240 [28]	3.50 [89]	4.75 [121]	1.69 [43]	
338097	VT3430	1.40 [36]	27006253	VTT3430	1.90 [48]	300 Kcmil (.630 [16] DIA.)	500 Kcmil (.813 [21] DIA.)	1/0 STR (.373 [9] DIA.)	300 Kcmil (.630 [16] DIA.)	3.34 [85]	1/2	480 [55]	7/16	360 [41]	3.63 [92]	5.00 [127]	1.94 [49]	
338436	VT3434	1.80 [46]	27008972	VTT3434	2.60 [66]	300 Kcmil (.630 [16] DIA.)	500 Kcmil (.813 [21] DIA.)	300 Kcmil (.630 [16] DIA.)	500 Kcmil (.813 [21] DIA.)	3.34 [85]	1/2	480 [55]	1/2	480 [55]	3.75 [95]	5.25 [133]	2.25 [57]	\triangleleft 8
25015884	VT3434NK																	\triangleleft 8
50054053	VT4025	1.70 [43]	50054061	VTT4025	2.00 [51]	500 Kcmil (.813 [21] DIA.)	800 Kcmil (1.031 [26] DIA.)	#6 SOL (.184 [5] DIA.)	1/0 STR (.373 [9] DIA.)	2.56 [65]	1/2	480 [55]	3/4	1050 [119]	4.06 [103]	5.50 [140]	1.19 [30]	\triangleleft 7
50054054	VT4028	1.80 [46]	338394	VTT4028	2.10 [53]	500 Kcmil (.813 [21] DIA.)	800 Kcmil (1.031 [26] DIA.)	1/0 STR (.373 [9] DIA.)	4/0 STR (.528 [13] DIA.)	2.56 [65]	9/16	665 [75]	3/8	240 [28]	3.88 [99]	5.13 [130]	1.69 [43]	
338227	VT4030	2.00 [51]	50054062	VTT4030	2.40 [61]	500 Kcmil (.813 [21] DIA.)	800 Kcmil (1.031 [26] DIA.)	1/0 STR (.373 [9] DIA.)	300 Kcmil (.630 [16] DIA.)	3.34 [85]	9/16	665 [75]	7/16	360 [41]	4.00 [102]	5.13 [130]	1.94 [49]	
338109	VT4034	2.30 [58]	27006254	VTT4034	3.10 [79]	500 Kcmil (.813 [21] DIA.)	800 Kcmil (1.031 [26] DIA.)	300 Kcmil (.630 [16] DIA.)	500 Kcmil (.813 [21] DIA.)	2.56 [65]	9/16	665 [75]	1/2	480 [55]	4.13 [105]	5.63 [143]	2.25 [57]	\triangleleft 8
10034320	VT4034NK																	\triangleleft 8
338476	VT4040	3.00 [76]	338378	VTT4040	4.30 [109]	500 Kcmil (.813 [21] DIA.)	800 Kcmil (1.031 [26] DIA.)	500 Kcmil (.813 [21] DIA.)	800 Kcmil (1.031 [26] DIA.)	2.56 [65]	9/16	665 [75]	9/16	665 [75]	4.50 [114]	6.38 [162]	2.63 [67]	
338166	VT4425	2.30 [58]	50054063	VTT4425	2.60 [66]	750 Kcmil (.998 [25] DIA.)	1000 Kcmil (1.152 [29] DIA.)	#6 SOL (.184 [5] DIA.)	1/0 STR (.373 [9] DIA.)	2.88 [73]	5/8	660 [75]	3/4	1050 [119]	4.31 [109]	5.75 [146]	1.19 [30]	\triangleleft 7
338492	VT4428	2.40 [61]	27014154	VTT4428	2.70 [69]	750 Kcmil (.998 [25] DIA.)	1000 Kcmil (1.152 [29] DIA.)	1/0 STR (.373 [9] DIA.)	4/0 STR (.528 [13] DIA.)	2.88 [73]	5/8	660 [75]	3/8	240 [28]	4.13 [105]	5.38 [137]	1.69 [43]	
338096	VT4430	2.50 [64]	27013442	VTT4430	3.00 [76]	750 Kcmil (.998 [25] DIA.)	1000 Kcmil (1.152 [29] DIA.)	1/0 STR (.373 [9] DIA.)	300 Kcmil (.630 [16] DIA.)	2.88 [73]	5/8	660 [75]	7/16	360 [41]	4.25 [108]	5.63 [143]	1.94 [49]	

A

A

TO ORDER BURNDY® PRODUCTS CALL
UNITED STATES
1-800-346-4175 (LONDONDERRY, NH)
CANADA:
1-800-361-6975 (QUEBEC)
1-800-387-6487 (ALL OTHER PROVINCES)
FOR PRODUCT INFO: <http://www.burndy.com>

VARITAPS	
ITEM NO:	SEE TABLE
CAT. NO:	SEE TABLE
DRAWN BY:	M KATHIR 12/03/14
CHECKER:	R LAVOIE 01/26/15
DSN APPVL:	R LAVOIE 01/26/15
MFG APPVL:	--
QA APPVL:	J HILLMAN 02/04/15
MKT APPVL:	S MOIST 01/24/15
PROJ #:	--
DOCUMENT TYPE:	Sales
REL LEVEL:	Released
SCALE:	3:2
DRAWING NO:	SA004362-01
REV:	A
SHEET:	2 OF 3

REV	DATE	DESCRIPTION	ECO	BY	C'H'K'
A	01/03/2014 00:00:00 AM	REDRAW SA004362 - (VT & VTT CAT NUMBERS)	34498	MK	RL

REV: PE0200

8

7

6

5

4

3

2

1

DRAWING NO.
SA004362-01

7

6

5

4

3

2

1

ACCOMMODATES, CABLE RANGE \triangleleft 2

DIMENSIONS IN INCHES

ITEM NO.	CATALOG NO.	APPROX SHIP. WT. IN LBS [MM]	ITEM NO.	CATALOG NO.	APPROX SHIP. WT. IN LBS [MM]	ACCOMMODATES, CABLE RANGE \triangleleft 2				DIMENSIONS IN INCHES							
						RUN-A		TAP-AA		H	J \triangleleft 3	BOLT TORQUE IN LBS [Nm] \triangleleft 3	JJ \triangleleft 3	BOLT TORQUE IN LBS [Nm] \triangleleft 3	L(VT)	L(VTT)	W
						MIN.	MAX.	MIN.	MAX.								
338111	VT4434	2.80 [71]	50054241	VTT4434	3.60 [91]	750 Kcmil (.998 [25] DIA.)	1000 Kcmil (1.152 [29] DIA.)	300 Kcmil (.630 [16] DIA.)	500 Kcmil (.813 [21] DIA.)	3.34 [85]	5/8	660 [75]	1/2	480 [55]	4.38 [111]	5.88 [149]	2.25 [57]
338418	VT4440	3.30 [84]	50054255	VTT4440	4.70 [119]	750 Kcmil (.998 [25] DIA.)	1000 Kcmil (1.152 [29] DIA.)	500 Kcmil (.813 [21] DIA.)	800 Kcmil (1.031 [26] DIA.)	2.88 [73]	5/8	660 [75]	9/16	665 [75]	4.75 [121]	6.63 [168]	2.63 [67]
338182	VT4444	3.90 [99]	27013443	VTT4444	5.80 [147]	750 Kcmil (.998 [25] DIA.)	1000 Kcmil (1.152 [29] DIA.)	750 Kcmil (.998 [25] DIA.)	1000 Kcmil (1.152 [29] DIA.)	2.88 [73]	5/8	660 [75]	5/8	660 [75]	4.88 [124]	6.88 [175]	2.88 [73]
			30014689	VTT4444W													
338528	VT4625	3.00 [76]	50054242	VTT4625	3.20 [81]	1000 Kcmil (1.152 [29] DIA.)	1500 Kcmil (1.412 [36] DIA.)	#6 SOL (.184 [5] DIA.)	1/0 STR (.373 [9] DIA.)	3.87 [98]	5/8	660 [75]	3/4	1050 [119]	4.69 [119]	6.13 [156]	1.19 [30]
338066	VT4628	3.10 [79]	50054243	VTT4628	3.40 [86]	1000 Kcmil (1.152 [29] DIA.)	1500 Kcmil (1.412 [36] DIA.)	1/0 STR (.373 [9] DIA.)	4/0 STR (.528 [13] DIA.)	3.87 [98]	5/8	660 [75]	3/8	240 [28]	4.50 [114]	5.75 [146]	1.69 [43]
338087	VT4630	3.20 [81]	27022105	VTT4630	3.70 [94]	1000 Kcmil (1.152 [29] DIA.)	1500 Kcmil (1.412 [36] DIA.)	1/0 STR (.373 [9] DIA.)	300 Kcmil (.630 [16] DIA.)	3.87 [98]	5/8	660 [75]	7/16	360 [41]	4.63 [118]	6.00 [152]	1.81 [46]
338104	VT4634	3.50 [89]	50054244	VTT4634	4.30 [109]	1000 Kcmil (1.152 [29] DIA.)	1500 Kcmil (1.412 [36] DIA.)	300 Kcmil (.630 [16] DIA.)	500 Kcmil (.813 [21] DIA.)	3.87 [98]	5/8	660 [75]	9/16	665 [75]	4.75 [121]	6.25 [159]	2.25 [57]
338154	VT4640	4.00 [102]	50054245	VTT4640	5.40 [137]	1000 Kcmil (1.152 [29] DIA.)	1500 Kcmil (1.412 [36] DIA.)	500 Kcmil (.813 [21] DIA.)	800 Kcmil (1.031 [26] DIA.)	3.87 [98]	5/8	660 [75]	9/16	665 [75]	5.13 [130]	7.00 [178]	2.63 [67]
50054064	VT4644	4.60 [117]	50054246	VTT4644	6.50 [165]	1000 Kcmil (1.152 [29] DIA.)	1500 Kcmil (1.412 [36] DIA.)	750 Kcmil (.998 [25] DIA.)	1000 Kcmil (1.152 [29] DIA.)	3.87 [98]	5/8	660 [75]	5/8	660 [75]	5.25 [133]	7.25 [184]	2.88 [73]
338197	VT4646	5.30 [135]	338379	VTT4646	8.00 [203]	1000 Kcmil (1.152 [29] DIA.)	1500 Kcmil (1.412 [36] DIA.)	1000 Kcmil (1.152 [29] DIA.)	1500 Kcmil (1.412 [36] DIA.)	3.87 [98]	5/8	660 [75]	5/8	660 [75]	5.50 [140]	7.75 [197]	3.25 [83]
50054240	VT4825	4.30 [109]	50054247	VTT4825	4.70 [119]	1500 Kcmil (1.412 [36] DIA.)	2000 Kcmil (1.632 [41] DIA.)	#6 SOL (.184 [5] DIA.)	1/0 STR (.373 [9] DIA.)	4.25 [108]	3/4	1050 [119]	3/4	1050 [119]	5.21 [132]	6.63 [168]	1.19 [30]
338059	VT4828	4.50 [114]	50054248	VTT4828	4.90 [124]	1500 Kcmil (1.412 [36] DIA.)	2000 Kcmil (1.632 [41] DIA.)	1/0 STR (.373 [9] DIA.)	4/0 STR (.528 [13] DIA.)	4.25 [108]	3/4	1050 [119]	3/8	240 [28]	5.00 [127]	6.25 [159]	1.69 [43]
338084	VT4830	4.60 [117]	50054249	VTT4830	5.10 [130]	1500 Kcmil (1.412 [36] DIA.)	2000 Kcmil (1.632 [41] DIA.)	1/0 STR (.373 [9] DIA.)	300 Kcmil (.630 [16] DIA.)	4.25 [108]	3/4	1050 [119]	7/16	360 [41]	5.13 [130]	6.50 [165]	1.94 [49]
338101	VT4834	5.00 [127]	50054250	VTT4834	5.80 [147]	1500 Kcmil (1.412 [36] DIA.)	2000 Kcmil (1.632 [41] DIA.)	300 Kcmil (.630 [16] DIA.)	500 Kcmil (.813 [21] DIA.)	4.25 [108]	3/4	1050 [119]	1/2	480 [55]	5.25 [133]	6.75 [171]	2.25 [57]
25019789	VT4840	5.50 [140]	50054251	VTT4840	6.80 [173]	1500 Kcmil (1.412 [36] DIA.)	2000 Kcmil (1.632 [41] DIA.)	500 Kcmil (.813 [21] DIA.)	800 Kcmil (1.031 [26] DIA.)	4.25 [108]	3/4	1050 [119]	9/16	665 [75]	5.63 [143]	7.50 [191]	2.63 [67]
338186	VT4844	6.00 [152]	50054252	VTT4844	7.90 [201]	1500 Kcmil (1.412 [36] DIA.)	2000 Kcmil (1.632 [41] DIA.)	750 Kcmil (.998 [25] DIA.)	1000 Kcmil (1.152 [29] DIA.)	4.25 [108]	3/4	1050 [119]	5/8	660 [75]	5.75 [146]	7.75 [197]	2.88 [73]
338398	VT4846	6.70 [170]	50054253	VTT4846	9.30 [236]	1500 Kcmil (1.412 [36] DIA.)	2000 Kcmil (1.632 [41] DIA.)	1000 Kcmil (1.152 [29] DIA.)	1500 Kcmil (1.412 [36] DIA.)	4.25 [108]	3/4	1050 [119]	5/8	660 [75]	6.00 [152]	8.25 [210]	3.25 [83]
338001	VT4848	8.20 [208]	50054254	VTT4848	12.00 [305]	1500 Kcmil (1.412 [36] DIA.)	2000 Kcmil (1.632 [41] DIA.)	1500 Kcmil (1.412 [36] DIA.)	2000 Kcmil (1.632 [41] DIA.)	4.25 [108]	3/4	1050 [119]	3/4	1050 [119]	6.25 [159]	8.25 [210]	3.75 [95]

\triangleleft 8

\triangleleft 7

\triangleleft 7

A

A

TO ORDER BURNDY® PRODUCTS CALL
UNITED STATES
1-800-346-4175 (LONDONDERRY, NH)
CANADA:
1-800-361-6975 (QUEBEC)
1-800-387-6487 (ALL OTHER PROVINCES)
FOR PRODUCT INFO: <http://www.burndy.com>

VARITAPS	
ITEM NO:	SEE TABLE
CAT. NO:	SEE TABLE
DRAWN BY:	M KATHIR 12/03/14
CHECKER:	R LAVOIE 01/26/15
DSN APPVL:	R LAVOIE 01/26/15
MFG APPVL:	-- --
QA APPVL:	J HILLMAN 02/04/15
MKT APPVL:	S MOIST 01/24/15
PROJ #:	--
DOCUMENT TYPE:	Sales
REL LEVEL:	Released
SCALE:	3:2
DRAWING NO:	SA004362-01
REV:	A



REV	DATE	DESCRIPTION	ECO	BY	C'H'K.
A	01/03/2014 00:00:00 AM	REDRAW SA004362 - (VT & VTT CAT NUMBERS)	34498	MK	RL

REV: PE0200

8

7

6

5

4

3

2

1