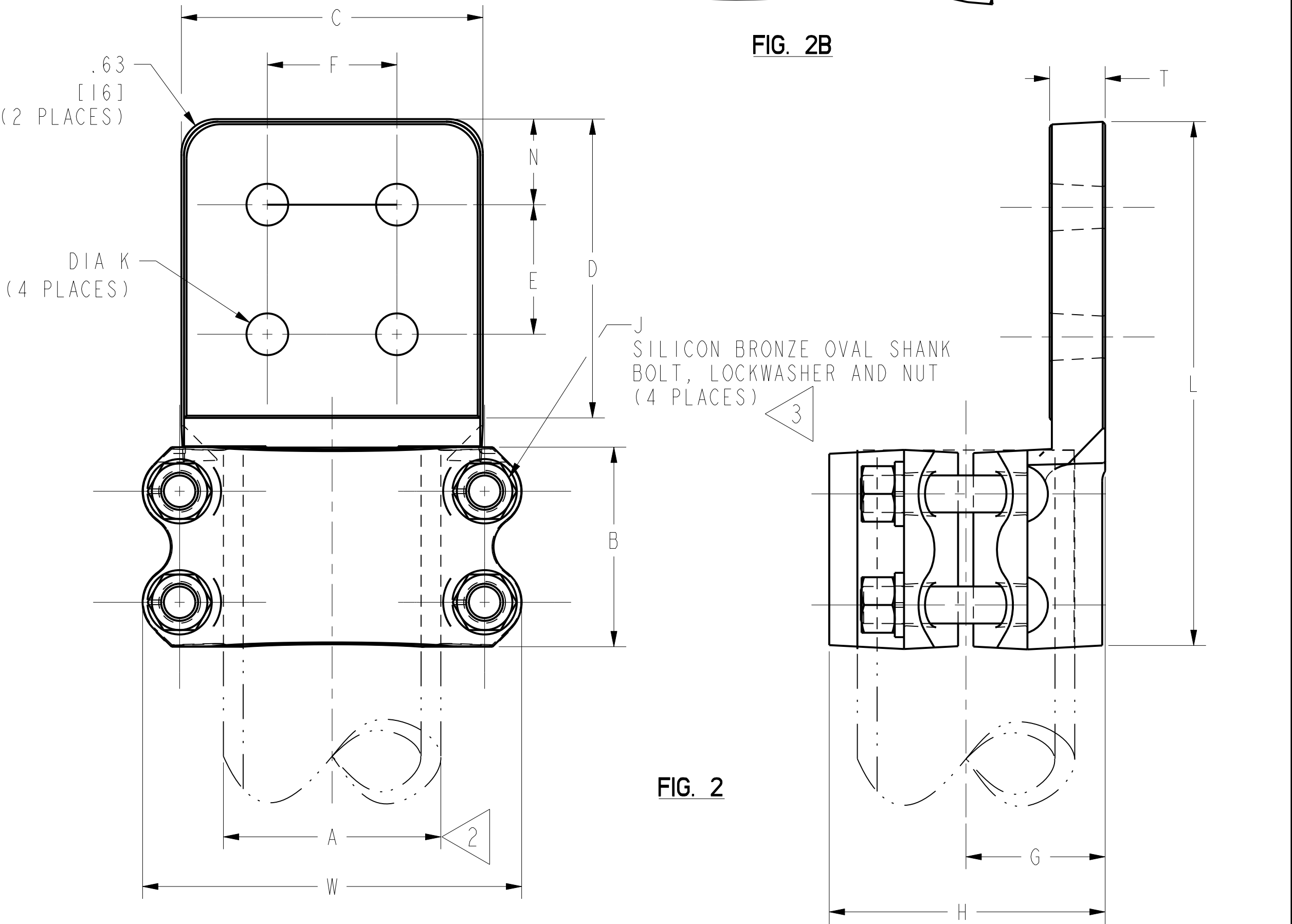
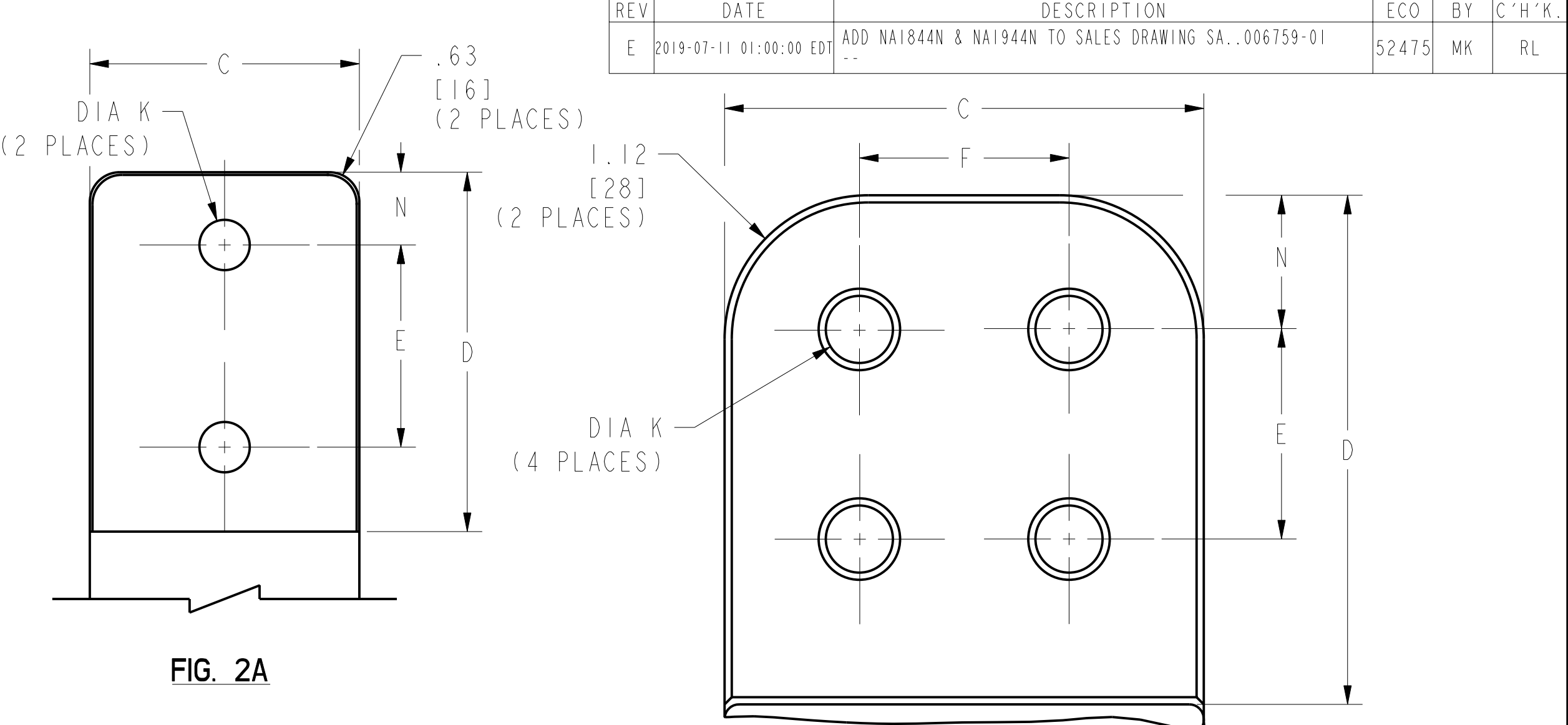
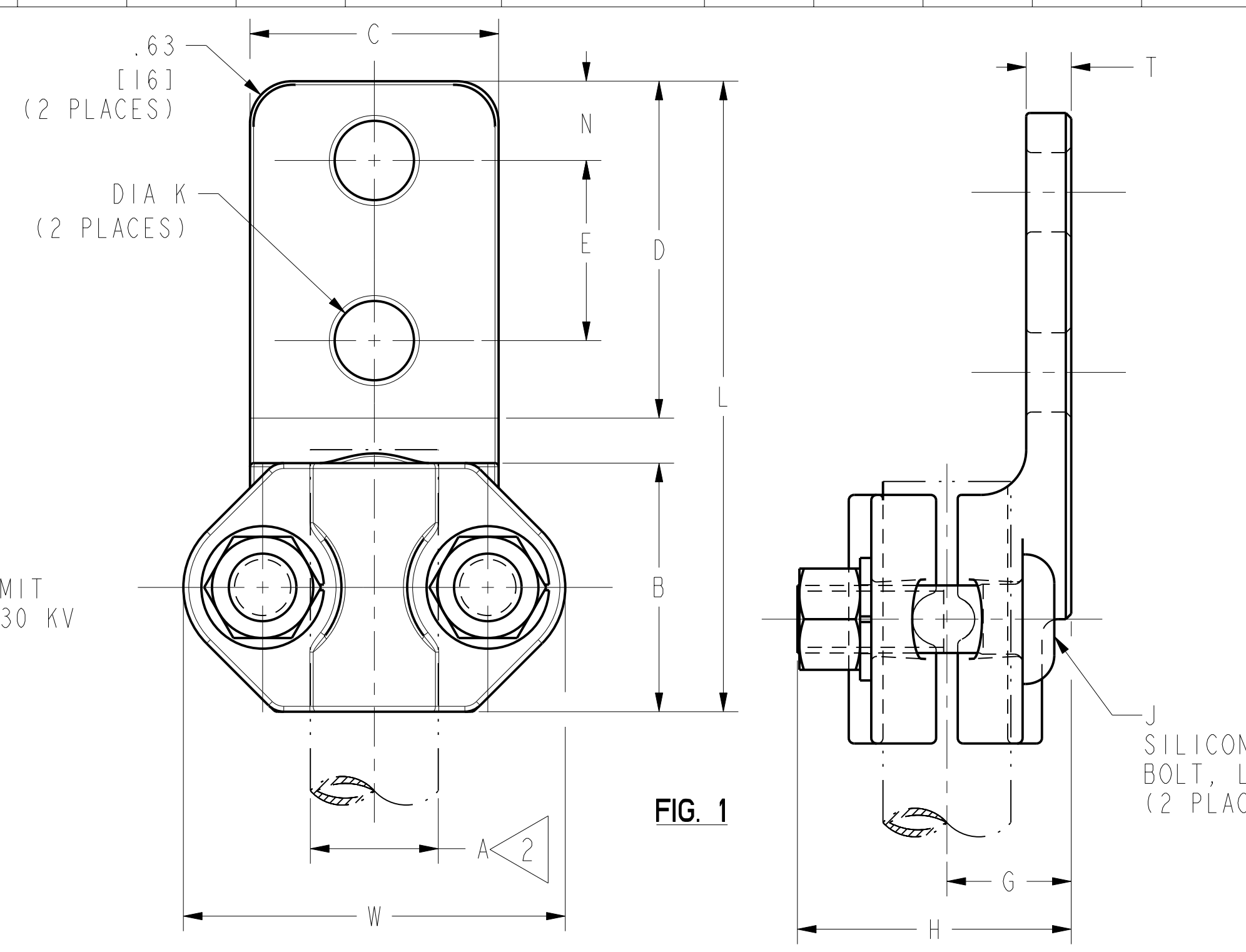


CATALOG NUMBER	ACCOMMODATES "A" (IPS)	FIG. NO.	NO OF HOLES IN PAD	DIMENSIONS								INSTALLATION TORQUE	DIA K	L	N	T	W
				B	C	D	E & F	G	H	J (BOLT DIA)							
NA122N	3/8	1	2	1.38 [35]	1.38 [35]	3.00 [76]	1.75 [44]	.69 [18]	1.50 [38]	.38 [10]	240 IN-LBS [28 Nm].	.56 [14]	4.62 [117]	.63 [16]	.25 [6]	2.13 [54]	
NA132N	1/2	2A	2	2.00 [51]	1.50 [38]	3.00 [76]	1.75 [44]	.78 [20]	1.75 [44]	.38 [10]		.56 [14]	5.25 [133]	.63 [16]	.31 [8]	2.25 [57]	
NA142N	3/4	2A	2	2.00 [51]	1.63 [41]	3.00 [76]	1.75 [44]	.90 [23]	2.00 [51]	.38 [10]	480 IN-LBS [55 Nm].	.56 [14]	5.25 [133]	.63 [16]	.38 [10]	2.44 [62]	
NA152N	1	2A	2	2.00 [51]	1.88 [48]	3.00 [76]	1.75 [44]	.94 [24]	2.06 [52]	.38 [10]		.56 [14]	5.25 [133]	.63 [16]	.38 [10]	2.75 [70]	
NA154N		2	4	2.00 [51]	3.00 [76]	3.00 [76]	1.75 [44]				.56 [14]	5.25 [133]	.63 [16]				
NA162N	1 1/4	2A	2	2.69 [68]	2.25 [57]	3.00 [76]	1.75 [44]	1.16 [29]	2.56 [65]	.50 [13]	660 IN-LBS [75 Nm].	.56 [14]	5.94 [151]	.63 [16]	.44 [11]	3.50 [89]	
NA164N		2	4	2.69 [68]	3.00 [76]	3.00 [76]	1.75 [44]					.56 [14]	5.94 [151]	.63 [16]			
NA172N	1 1/2	2A	2		2.50 [64]	3.00 [76]	1.75 [44]				480 IN-LBS [55 Nm].	.56 [14]	5.94 [151]	.63 [16]	.50 [13]	3.94 [100]	
NA174N		2	4	2.69 [68]	3.00 [76]	3.00 [76]	1.75 [44]	1.31 [33]	2.75 [70]	.50 [13]		.56 [14]	5.94 [151]	.63 [16]	.50 [13]	3.94 [100]	
NA174NCG8		2	4		3.50 [89]	3.75 [95]							.56 [14]	6.69 [170]	.88 [22]		
NA182N	2	2A	2	2.69 [68]	2.75 [70]	3.00 [76]	1.75 [44]				660 IN-LBS [75 Nm].	.56 [14]	5.94 [151]	.63 [16]	.69 [18]	5.25 [133]	
NA184N		2	4	2.69 [68]	3.13 [80]	3.00 [76]	1.75 [44]	1.56 [40]	3.13 [80]	.50 [13]		.56 [14]	5.94 [151]	.63 [16]	.50 [13]	4.63 [118]	
NA1844N	2 1/2	2B	4		4.00 [102]	4.25 [108]	1.75 [44]				660 IN-LBS [75 Nm].	.56 [14]	7.19 [183]	1.12 [28]			
NA194N		2	4	2.69 [68]	3.75 [95]	3.00 [76]	1.75 [44]	1.84 [47]	3.69 [94]	.50 [13]		.56 [14]	5.94 [151]	.63 [16]	.69 [18]	5.25 [133]	
NA1944N	3	2A	2	3.25 [83]	4.38 [111]	3.00 [76]	1.75 [44]	2.19 [56]	4.38 [111]	.62 [16]	660 IN-LBS [75 Nm].	.56 [14]	6.56 [167]	.63 [16]	.69 [18]	6.19 [157]	
NA202N		2	4	3.25 [83]	4.38 [111]	3.00 [76]	1.75 [44]					.56 [14]	6.56 [167]	.63 [16]			
NA204N	3 1/2	2A	2	3.25 [83]	4.75 [121]	3.00 [76]	1.75 [44]	2.47 [63]	4.94 [125]	.62 [16]	660 IN-LBS [75 Nm].	.56 [14]	6.56 [167]	.63 [16]	.81 [21]	6.81 [173]	
NA214N		2	4	3.25 [83]	5.25 [133]	3.00 [76]	1.75 [44]	2.75 [70]	5.50 [140]	.62 [16]		.56 [14]	6.56 [167]	.63 [16]	.81 [21]	7.44 [189]	
NA224N	4	2	4	3.25 [83]	5.25 [133]	3.00 [76]	1.75 [44]	2.75 [70]	5.50 [140]	.62 [16]	660 IN-LBS [75 Nm].	.56 [14]	5.56 [141]	.63 [16]	.38 [10]	2.20 [56]	
NA342N	1/2	2A	2	2.31 [59]	1.69 [43]	3.00 [76]	1.75 [44]	.83 [21]	1.81 [46]	.38 [10]		.56 [14]	5.56 [141]	.63 [16]	.38 [10]	2.20 [56]	

- NOTES:
- MATERIAL :
BODY AND CAP : CAST COPPER ALLOY.
 - ACCOMMODATES: SEE TABLE.
 - NOMINAL BOLT INSTALLATION TORQUE: SEE TABLE.
 - DIMENSIONS IN BRACKETS [] DENOTE METRIC UNITS [SI UNITS] AND ARE ROUNDED TO THE NEAREST WHOLE NUMBER. UNLESS OTHERWISE SPECIFIED THESE UNITS SHALL BE USED FOR REFERENCE ONLY.
 - PLATING OPTIONS:
W = TIN PLATED BODY, CAP AND HARDWARE.
TN = TIN PLATE BODY AND CAP ONLY. HARDWARE IS NOT PLATED.
CONTACT BURNDY® FOR OTHER PLATING OPTIONS.
 - THE CONCEPT SHOWN INCORPORATES DESIGN PRINCIPLES WHICH PERMIT OPERATION AT A VOLTAGE GRADIENT NORMALLY ASSOCIATED WITH 230 KV RMS OPERATION PHASE TO PHASE.
 - FOR ALUMINUM CONDUCTORS, ADD "W" TO CATALOG NUMBER.
 - FINISH:
BRIGHT DIPPED FOR COPPER CONDUCTORS.
 - ALL CATALOG NUMBERS LISTED BY C.S.A.
 - MARKING:
BURNDY
--- (CATALOG NUMBER)
--- (ACCOMMODATES)
 - EG:
BURNDY
NA1844N
2" IPS CU



TO ORDER BURNDY® PRODUCTS CALL
UNITED STATES
1-800-346-4175 (LONDONDERRY, NH)
CANADA:
1-800-361-6975 (QUEBEC)
1-800-387-6487 (ALL OTHER PROVINCES)
FOR PRODUCT INFO: <http://www.burndy.com>

COPPER BOLTED TERMINAL

ITEM NO:	NA
CAT. NO:	NA-- (SEE TABLE)
DRAWN BY:	M KATHIR 08/06/18
CHECKER:	D BOUDREAU 01/23/20
DSN APPVL:	D BOUDREAU 01/23/20
MFG APPVL:	--
QA APPVL:	B ELLIOTT 01/22/20
MKT APPVL:	MA THERRIEN 07/27/20
PROD FAM:	SUBSTATION
PROJECT #:	--
DOCUMENT TYPE:	Sales
REL LEVEL:	Released

SCALE: 1:1

DRAWING NO: SA006759-01

SHEET 1 OF 1

REV: E

REV: PEC200