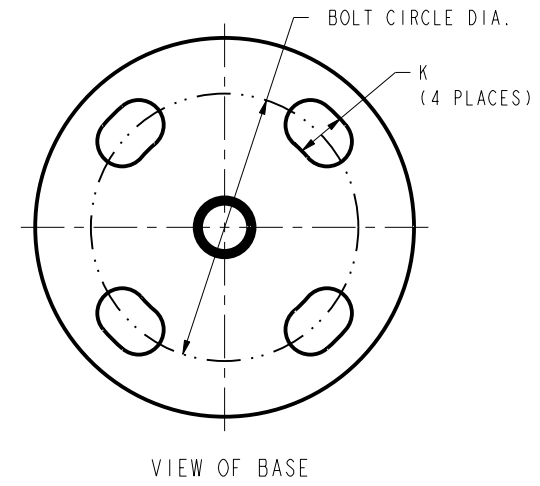
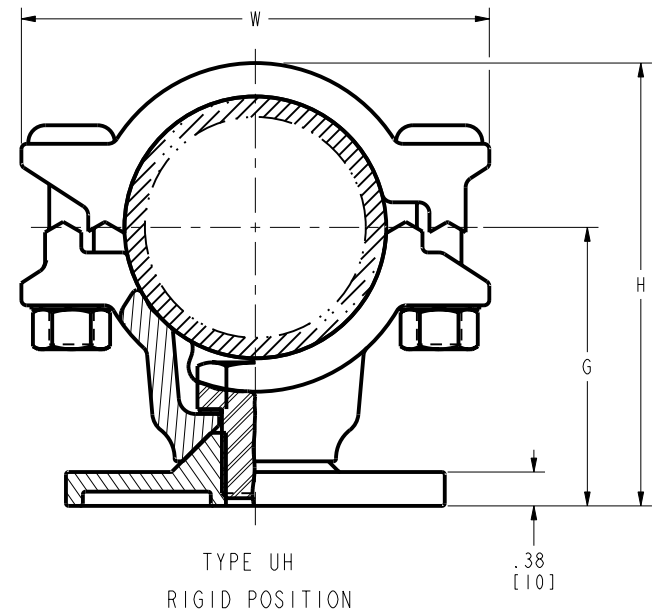
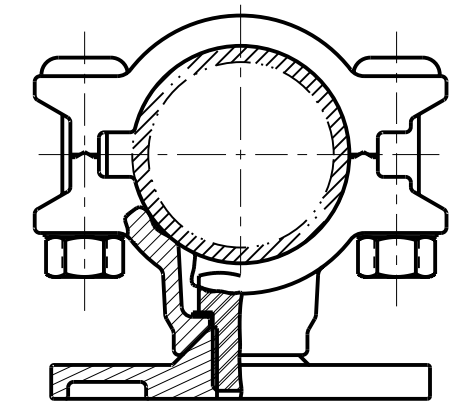
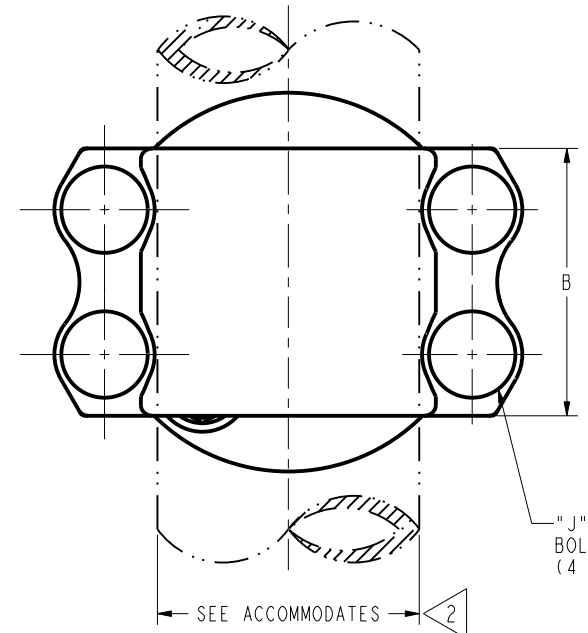


DRAWING NO.
SA007374-01

CATALOG NUMBER	ITEM NO	ACCOMMODATES ²	DIA. OF BOLT CIRCLE	B	G	H	J	K	W
UH133	323445	1/2" IPS (.84 [21] DIA.)	3.00 [76]	2.50 [64]	1.75 [44]	2.50 [64]	3/8 X 1.50	.56 [14]	2.63 [67]
UH135	27017846		5.00 [127]	2.50 [64]	2.13 [54]	2.88 [73]	3/8 X 1.50	.68 [17]	2.63 [67]
UH143	323460	3/4" IPS (1.05 [27] DIA.)	3.00 [76]	2.50 [64]	2.00 [51]	2.88 [73]	3/8 X 1.75	.56 [14]	2.63 [67]
UH145	32365K		5.00 [127]	2.50 [64]	2.25 [57]	3.13 [80]	3/8 X 1.75	.69 [17]	2.63 [67]
UH153	323490	1" IPS (1.32 [33] DIA.)	3.00 [76]	2.50 [64]	2.00 [51]	3.00 [76]	3/8 X 1.75	.56 [14]	2.88 [73]
UH155	323495		5.00 [127]	2.50 [64]	2.25 [57]	3.25 [83]	3/8 X 1.75	.69 [17]	2.88 [73]
UH163	323505	1 1/4" IPS (1.66 [42] DIA.)	3.00 [76]	2.69 [68]	2.25 [57]	3.50 [89]	1/2 X 2.25	.56 [14]	3.50 [89]
UH165	32378R		5.00 [127]	2.69 [68]	2.38 [60]	3.63 [92]	1/2 X 2.25	.68 [17]	3.50 [89]
UH173	323535	1 1/2" IPS (1.90 [48] DIA.)	3.00 [76]	3.00 [76]	2.50 [64]	3.88 [99]	1/2 X 2.25	.56 [14]	4.00 [102]
UH175	32372N		5.00 [127]	3.00 [76]	2.50 [64]	3.88 [99]	1/2 X 2.25	.69 [17]	4.00 [102]
UH183	323565	2" IPS (2.38 [73] DIA.)	3.00 [76]	3.00 [76]	2.75 [70]	4.38 [111]	1/2 X 2.25	.56 [14]	4.63 [118]
UH185	323567		5.00 [127]	3.00 [76]	2.75 [70]	4.38 [111]	1/2 X 2.25	.69 [17]	4.63 [118]
UH193	323585	2 1/2" IPS (2.88 [73] DIA.)	3.00 [76]	3.00 [76]	3.13 [80]	5.00 [127]	1/2 X 2.25	.56 [14]	5.25 [133]
UH195	32378W		5.00 [127]	3.00 [76]	3.13 [80]	5.00 [127]	1/2 X 2.25	.69 [17]	5.25 [133]
UH203	323590	3" IPS (3.50 [89] DIA.)	3.00 [76]	3.25 [83]	3.63 [92]	5.88 [149]	5/8 X 3.00	.56 [14]	6.25 [159]
UH205	32366B		5.00 [127]	3.25 [83]	3.63 [92]	5.88 [149]	5/8 X 3.00	.69 [17]	6.25 [159]
UH213	323784	3 1/2" IPS (4.00 [102] DIA.)	3.00 [76]	3.25 [83]	4.00 [102]	6.50 [165]	5/8 X 3.00	.56 [14]	6.81 [173]
UH215	323611		5.00 [127]	3.25 [83]	4.00 [102]	6.50 [165]	5/8 X 3.00	.69 [17]	6.81 [173]
UH223	32365G	4" IPS (4.50 [114] DIA.)	3.00 [76]	3.25 [83]	4.50 [114]	7.25 [184]	5/8 X 3.00	.56 [14]	7.38 [187]
UH225	32365M		5.00 [127]	3.25 [83]	4.50 [114]	7.25 [184]	5/8 X 3.00	.69 [17]	7.50 [190]
UH235	50017022	4 1/2" IPS (5.00 [127] DIA.)	5.00 [127]	3.25 [83]	4.75 [121]	7.75 [197]	5/8 X 3.00	.69 [17]	8.00 [203]
UH243	50017023	5" IPS (5.56 [141] DIA.)	3.00 [76]	3.25 [83]	5.25 [133]	8.56 [217]	5/8 X 3.50	.56 [14]	8.50 [216]
UH245	50017024		5.00 [127]	3.25 [83]	5.25 [133]	8.06 [205]	5/8 X 3.50	.69 [17]	8.50 [216]
UH865	50017025	6" IPS (6.63 [168] DIA.)	5.00 [127]	3.25 [83]	5.75 [146]	9.69 [246]	5/8 X 3.50	.69 [17]	9.69 [246]

REV	DATE	DESCRIPTION	ECO	BY	CHK.
B	12/21/2012 00:00:00 AM	CREATED COMPLETE DOCUMENTATION FOR THE CATALOG: UH133 & UH135.	28817	BR	NJS



NOTES:

- MATERIAL:
BODY & CAP: CAST COPPER ALLOY
- ACCOMMODATES: SEE TABLE
- NOMINAL BOLT INSTALLATION TORQUE:
1/2" SILICON BRONZE HARDWARE - 480 LB-IN [55 Nm]
3/8" SILICON BRONZE HARDWARE - 240 LB-IN [30 Nm]
5/8" SILICON BRONZE HARDWARE - 660 LB-IN [75 Nm]
- DIMENSIONS IN BRACKETS [] DENOTES METRIC UNITS [SI UNITS] AND ARE ROUNDED TO THE NEAREST WHOLE NUMBER. UNLESS OTHERWISE SPECIFIED THESE UNITS SHALL BE USED FOR REFERENCE ONLY.
- A BRONZE BUS SUPPORT CLAMP FOR MOUNTING ON A POST OR PEDESTAL TYPE INSULATOR. HIGHLY EFFECTIVE BY VIRTUE OF FOUR CLAMPING BOLTS AND WIDE GRIPPING SURFACE. ADJUSTMENT OF A SINGLE BOLT PERMITS ROTATION TO ANY ANGLE. IN ADDITION, THE TYPE "UH" IS SO CONSTRUCTED THAT ROTATING THE CAP 180° WILL CONVERT IT INTO A SLIDE TYPE BUS CLAMP. SPRINGS CAN BE SUPPLIED TO SUPPRESS CHATTERING WHEN THE SUPPORT IS USED IN THIS MANNER.
- REGULARLY SUPPLIED WITH DURIUM CAP SCREWS FOR CAP MOUNTING. IF SPECIFIED, BOLTS AND NUTS WILL BE SUPPLIED FOR BASE MOUNTING.
- MARKING:
BURNDY
---(CATALOG NUMBER)
---(ACCOMMODATES)

EXAMPLE : BURNDY
UH133
1/2 IPS

REFERENCE: FC38956

TO ORDER BURNDY® PRODUCTS CALL		BUS SUPPORT	
UNITED STATES 1-800-346-4175 (LONDONDERRY, NH)		ITEM NO: SEE TABLE	CAT. NO: SEE TABLE
CANADA: 1-800-361-6975 (QUEBEC) 1-800-387-6487 (ALL OTHER PROVINCES)		DRAWN BY: BHARATHIRAJA 12/21/12	CHECKER: --
FOR PRODUCT INFO: http://www.burndy.com		DSN APPVL: R LAVOIE 01/17/13	MFG APPVL: --
		QA APPVL: J HILLMAN 01/23/13	MKT APPVL: V TORRES 01/17/13
		PROJ FAM: SUBSTATION	DRAWING NO: SA007374-01
		PROJECT #: --	SCALE: 1:1
		DOCUMENT TYPE: Sales	REV: B
		REL LEVEL: Released	SHEET 1 OF 1

REV: PE0200