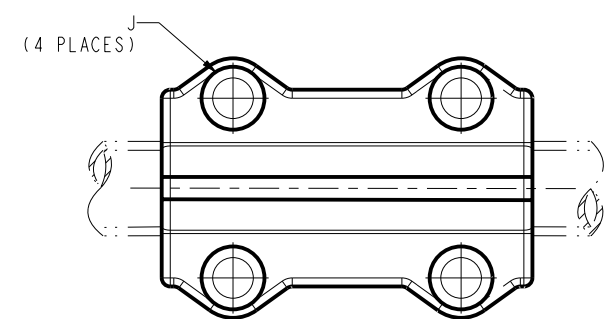
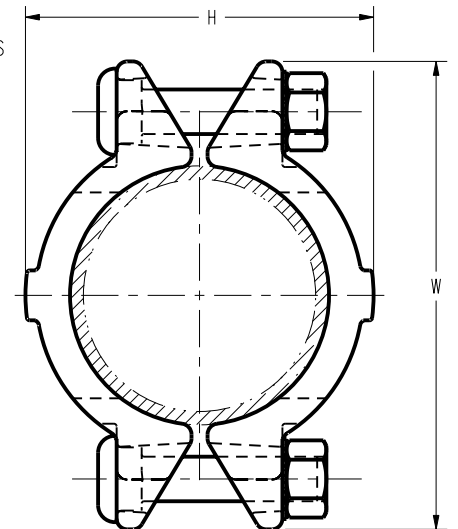
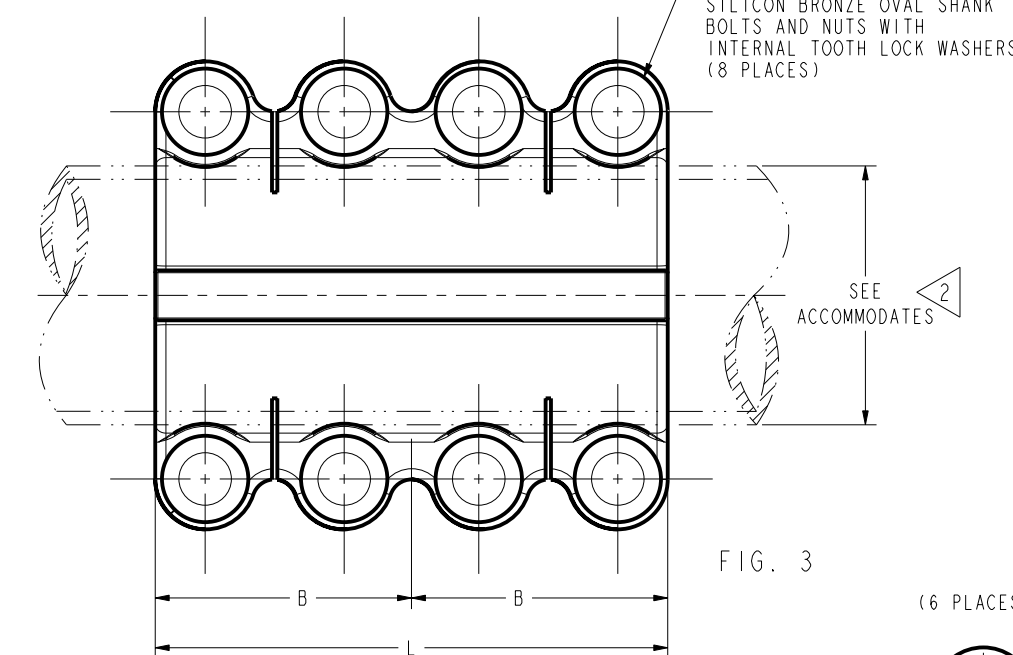
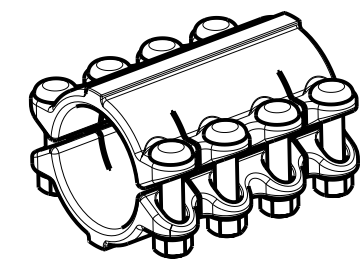
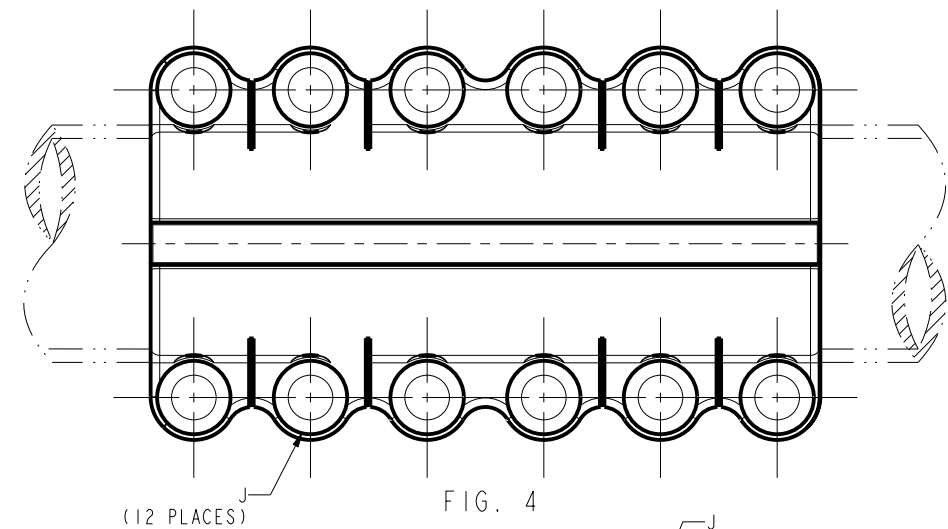


| CATALOG NO. | ITEM NO. | ACCOMMODATES                     | FIG. NO. | DIMENSIONS    |               |     |                |               |
|-------------|----------|----------------------------------|----------|---------------|---------------|-----|----------------|---------------|
|             |          |                                  |          | B             | H (MAX.)      | J   | L              | W             |
| NS1111      | 30017444 | 1/4" IPS<br>(.540 [14] DIA.)     | 1        | 1.50<br>[38]  | 1.44<br>[37]  | 3/8 | 3.00<br>[76]   | 1.94<br>[49]  |
| NS1212      | 29057D   | 3/8" IPS<br>(.675 [17] DIA.)     | 1        | 1.50<br>[38]  | 1.44<br>[37]  | 3/8 | 3.00<br>[76]   | 2.13<br>[54]  |
| NS1313      | 290466   | 1/2" IPS<br>(.840 [21] DIA.)     | 2        | 1.63<br>[41]  | 1.69<br>[43]  | 3/8 | 3.25<br>[83]   | 2.25<br>[57]  |
| NS1414      | 27003772 | 3/4" IPS<br>(1.050 [27] DIA.)    | 2        | 2.00<br>[51]  | 1.94<br>[49]  | 3/8 | 4.00<br>[102]  | 2.44<br>[62]  |
| NS1515      | 290472   | 1" IPS<br>(1.315 [33] DIA.)      | 3        | 2.13<br>[54]  | 2.13<br>[54]  | 3/8 | 4.25<br>[108]  | 2.75<br>[70]  |
| NS1616      | 27003776 | 1 1/4" IPS<br>(1.660 [42] DIA.)  | 3        | 2.88<br>[73]  | 2.63<br>[67]  | 1/2 | 5.75<br>[146]  | 3.50<br>[89]  |
| NS1717      | 290478   | 1 1/2" IPS<br>(1.900 [48] DIA.)  | 3        | 2.88<br>[73]  | 2.75<br>[70]  | 1/2 | 5.75<br>[146]  | 3.94<br>[100] |
| NS1818      | 290481   | 2" IPS<br>(2.375 [60] DIA.)      | 3        | 2.88<br>[73]  | 3.31<br>[84]  | 1/2 | 5.75<br>[146]  | 4.63<br>[118] |
| NS1919      | 290484   | 2 1/2" IPS<br>(2.875 [73] DIA.)  | 3        | 2.88<br>[73]  | 3.88<br>[99]  | 1/2 | 5.75<br>[146]  | 5.25<br>[133] |
| NS2020      | 290487   | 3" IPS<br>(3.500 [89] DIA.)      | 3        | 3.63<br>[92]  | 4.63<br>[118] | 5/8 | 7.25<br>[184]  | 6.19<br>[157] |
| NS2121      | 29066J   | 3 1/2" IPS<br>(4.000 [102] DIA.) | 3        | 4.00<br>[102] | 5.19<br>[132] | 5/8 | 8.00<br>[203]  | 6.81<br>[173] |
| NS2222      | 290660   | 4" IPS<br>(4.500 [114] DIA.)     | 3        | 4.25<br>[108] | 5.75<br>[146] | 5/8 | 8.50<br>[216]  | 7.44<br>[189] |
| NS2323      | 30017445 | 4 1/2" IPS<br>(5.000 [127] DIA.) | 4        | 5.00<br>[127] | 6.50<br>[165] | 5/8 | 11.25<br>[286] | 8.00<br>[203] |
| NS2424      | 30017446 | 5" IPS<br>(5.563 [141] DIA.)     | 4        | 5.75<br>[146] | 7.00<br>[178] | 5/8 | 11.50<br>[292] | 8.50<br>[216] |
| NS8686      | 30017447 | 6" IPS<br>(6.625 [168] DIA.)     | 4        | 6.00<br>[152] | 8.19<br>[208] | 5/8 | 12.00<br>[305] | 9.19<br>[233] |

| REV | DATE                    | DESCRIPTION                           | ECO   | BY | C'H'K. |
|-----|-------------------------|---------------------------------------|-------|----|--------|
| A   | 2011-07-05 00:00:00 EDT | CREATED SALES DRAWING FOR NS--(TABLE) | 25035 | VV | NJS    |



- NOTES:
- MATERIAL:  
CAST COPPER ALLOY
  - ACCOMMODATES:  
SEE TABLE
  - NOMINAL BOLT INSTALLATION TORQUE:  
3/8" SILICON BRONZE HARDWARE - 240 LB-IN [30 Nm]  
1/2" SILICON BRONZE HARDWARE - 480 LB-IN [55 Nm]  
5/8" SILICON BRONZE HARDWARE - 660 LB-IN [75 Nm]
  - DIMENSIONS IN BRACKETS [ ] DENOTES METRIC UNITS [SI UNITS] AND ARE ROUNDED TO THE NEAREST WHOLE NUMBER, UNLESS OTHERWISE SPECIFIED THESE UNITS SHALL BE USED FOR REFERENCE ONLY.
  - MARKING:  
BURNDY  
--- (CATALOG NUMBER)  
--- (ACCOMMODATES)
  - FOR USE ON ALUMINUM CONDUCTORS, ADD W TO CATALOG NUMBER. EXAMPLE: NS1111W

TO ORDER BURNDY® PRODUCTS CALL  
UNITED STATES  
1-800-346-4175 (LONDONDERRY, NH)  
CANADA:  
1-800-361-6975 (QUEBEC)  
1-800-387-6487 (ALL OTHER PROVINCES)  
FOR PRODUCT INFO: <http://www.burndy.com>

| COUPLER        |                      |
|----------------|----------------------|
| ITEM NO:       | SEE TABLE            |
| CAT. NO:       | NS--(TABLE)          |
| DRAWN BY:      | V VINOTH 07/05/11    |
| CHECKER:       | NJ SUDHAKAR 07/05/11 |
| DSN APPVL:     | R LAVOIE 07/20/11    |
| MFG APPVL:     | --                   |
| QA APPVL:      | J HILLMAN 07/11/11   |
| MKT APPVL:     | B MICHAUD 07/20/11   |
| PROJ #:        | ---                  |
| DOCUMENT TYPE: | Sales                |
| REL LEVEL:     | Released             |
| SCALE:         | 1:1                  |
| DRAWING NO:    | SA011052-01          |
| REV:           | A                    |
| SHEET 1 OF 1   |                      |

REV: PE0200