

REV	DATE	DESCRIPTION	ECO	BY	C'H.K.
M	08/14/2014 00:00:00 AM	ADDED NA17A34N, NA17A44N, & NA21A34N TO SA038849	37142	BR	NJS

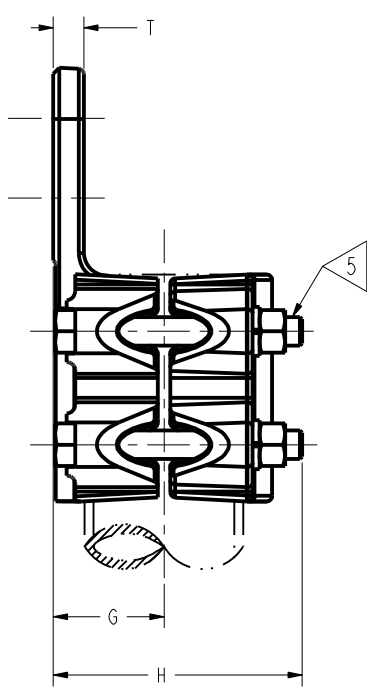


FIG. A  
(BODY)

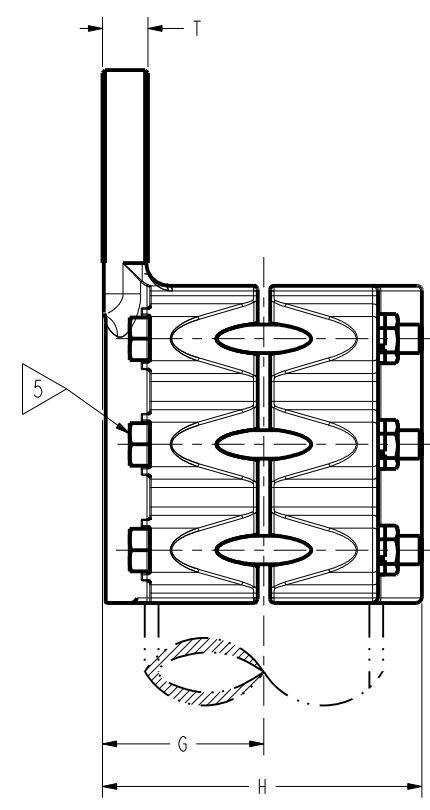
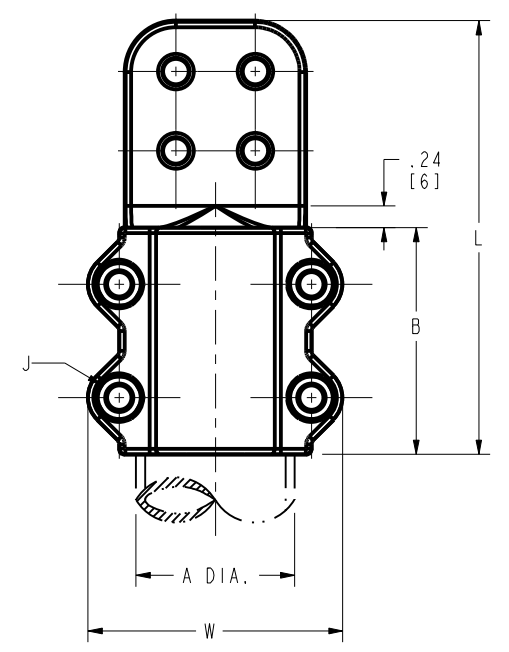


FIG. B  
(BODY)

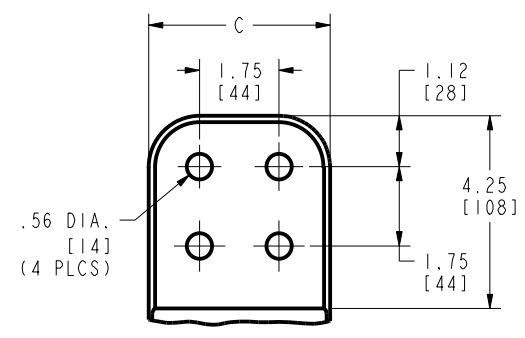
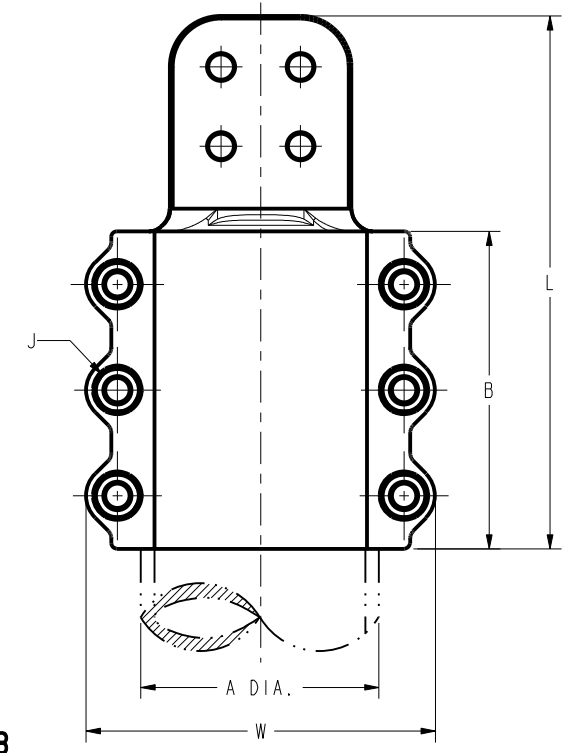


FIG. 1  
(PAD)

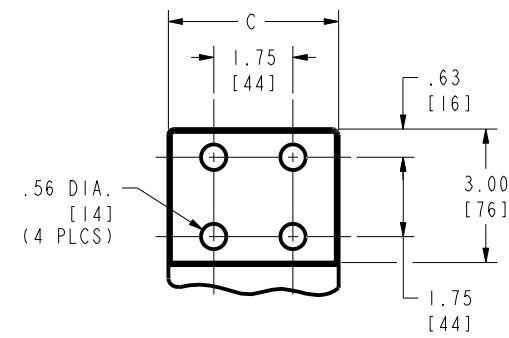


FIG. 2  
(PAD)

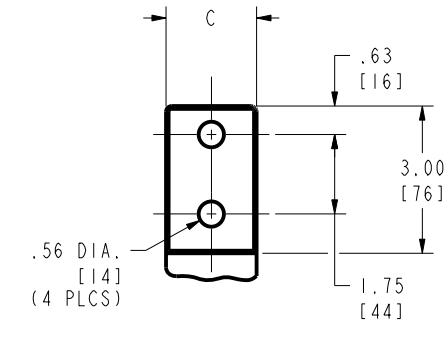


FIG. 3  
(PAD)

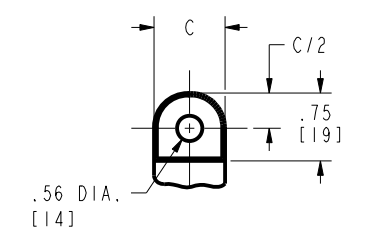


FIG. 4  
(PAD)

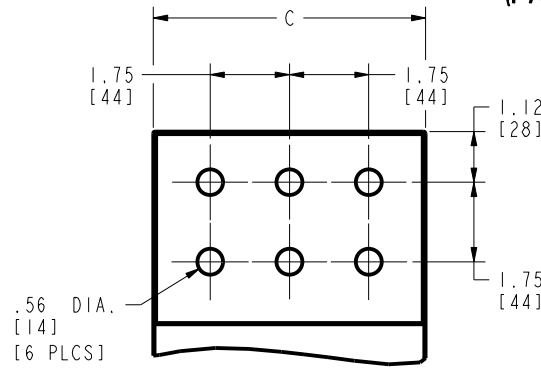


FIG. 5  
(PAD)

NOTES:

- DIMENSIONS IN BRACKETS [ ] DENOTES METRIC UNITS [SI UNITS] AND ARE ROUNDED TO THE NEAREST WHOLE NUMBER, UNLESS OTHERWISE SPECIFIED THESE UNITS SHALL BE USED FOR REFERENCE ONLY.
- MOUNTING HOLES CONFORM TO NEMA STANDARDS. NEMA DRILLING (9/16" HOLES ON 1 3/4" CENTERS) PROVIDED.
- SIZES NOT LISTED READILY SUPPLIED.
- PENETROX™ NOTE: SCRATCH BRUSH CONNECTOR CONTACT SURFACE DRY, THEN APPLY PENETROX™ A. PENETROX™ CAN BE PURCHASED FROM BURNDY LLC IN CANS OR PLASTIC SQUEEZE BOTTLES.
- CLAMPING HARDWARE HAS BEEN SELECTED TO PROVIDE THE REQUIRED FORCE WHEN TIGHTENED TO THE RECOMMENDED TORQUE. TO REDUCE OR GREATLY EXCEED THE RECOMMENDED TORQUE CAN ADVERSELY AFFECT THE PERFORMANCE OF THE CONNECTOR.
- NOMINAL BOLT INSTALLATION TORQUE:  
 1/2" ALUMINUM HARDWARE - 300 IN-LBS [34Nm]  
 5/8" ALUMINUM HARDWARE - 480 IN-LBS [54Nm]  
 1/2" GALVANIZED STEEL HARDWARE - 480 IN-LBS [54Nm]  
 5/8" GALVANIZED STEEL HARDWARE - 660 IN-LBS [75Nm]
- DIMENSIONS ARE INDICATIVE AND MAY SLIGHTLY VARY WITHOUT COMPROMISING THE FUNCTIONALITIES.

SUPERSEED: CSC02116

TO ORDER BURNDY® PRODUCTS CALL		TERMINAL, TUBE TO FLAT	
UNITED STATES		ITEM NO: SEE TABLE	
1-800-346-4175 (LONDONDERRY, NH)		CAT. NO: NA--A-N (TABLE)	
CANADA:		DRAWN BY: BHARATHIRAJA 08/14/14	
1-800-361-6975 (QUEBEC)		CHECKER: -- --	
1-800-387-6487 (ALL OTHER PROVINCES)		DSN APPVL: R LAVOIE 10/14/14	
FOR PRODUCT INFO: <a href="http://www.burndy.com">http://www.burndy.com</a>		MFG APPVL: -- --	
		QA APPVL: C KOWALCZYK 10/24/14	
		MKT APPVL: B MICHAUD 10/14/14	
		SCALE: 1:1	
		PROJ. APPVL: SUBSTATION	
		DRAWING NO	
		SA038849	
		REV	
		M	
		SHEET 1 OF 2	

REV: PLE0200

DRAWING NO.  
SA038849

7 6 5 4 3 2 1

REV	DATE	DESCRIPTION	ECO	BY	CHK.
M	08/14/2014 00:00:00 AM	ADDED NA17A34N, NA17A44N, & NA21A34N TO SA038849	37142	BR	NJS

ITEM NUMBER	CATALOG NUMBER	IPS ALUMINUM OR COPPER	A DIA.	FIG. NO. PAD/BODY	DIMENSIONS INCH [MM]								
					B	C	G	H	J	L	T	W	
10033750	NA12A	3/8 IPS	.675 [17]	4A	2.75 [70]	1.50 [38]	1.22 [31]	2.62 [67]	1/2-13 [13]	4.50 [114]	.31 [8]	2.42 [61]	
10033751	NA12A2N			3A							6.00 [152]		
10033749	NA13A	1/2 IPS	.840 [21]	4A		1.62 [41]				4.88 [124]	.31 [8]		
304340	NA13A2N			3A	3.00 [76]	1.50 [38]	1.30 [33]	2.88 [73]	1/2-13 [13]	6.25 [159]	.38 [10]	2.58 [66]	
50032963	NA13A4N			2A									
10033757	NA14A	3/4 IPS	1.050 [27]	4A		1.75 [44]				5.25 [133]			
304300	NA14A2N			3A	3.25 [83]	1.62 [41]	1.41 [36]	3.12 [79]	1/2-13 [13]	6.50 [165]	.38 [10]	2.80 [71]	
25006352	NA14A4N			2A									
304342	NA15A2N	1 IPS	1.315 [33]	3A	3.50 [89]	1.88 [48]	1.50 [38]	3.38 [86]	1/2-13 [13]	6.75 [171]	.38 [10]	3.06 [78]	
304330	NA15A4N			2A									
304293	NA16A2N	1 1/4 IPS	1.660 [42]	3A	3.75 [95]	2.25 [57]	1.60 [41]	3.38 [86]	1/2-13 [13]	7.00 [178]	.44 [11]	3.40 [86]	
304295	NA16A4N			2A									
304341	NA17A2N	1 1/2 IPS	1.900 [48]	3A		2.50 [63]							
304343	NA17A4N			2A	4.00 [102]	3.00 [76]	1.76 [45]	3.88 [99]	1/2-13 [13]	7.28 [185]	.50 [13]	3.64 [92]	
25004731	NA17A34N			2A									
10094213	NA17A44N			1A							8.28 [210]		
304344	NA18A2N	2 IPS	2.375 [60]	3A		2.75 [70]							
304345	NA18A4N			2A	4.25 [108]	3.12 [79]	2.05 [52]	4.47 [114]	5/8-11 [16]	7.50 [191]	.50 [13]	4.50 [114]	
10011598	NA18A34N			2A									
25004446	NA18A44N			1A							8.50 [216]		
25022031	NA19A2N	2 1/2 IPS	2.875 [73]	3A	4.50 [114]	3.25 [83]	2.19 [56]	4.97 [126]	5/8-11 [16]	8.00 [203]	.69 [18]	5.00 [127]	
304348	NA19A4N			2A									
304235	NA20A2N	3 IPS	3.500 [89]	3A		4.38 [111]							
304349	NA20A4N			2A	5.00 [127]	3.00 [76]	2.43 [62]	5.47 [139]	5/8-11 [16]	8.31 [211]	.69 [18]	5.62 [144]	
304268	NA20A34N			2A									
304188	NA20A44N			1A							8.56 [243]		
30469C	NA21A4N	3 1/2 IPS	4.000 [102]	2A	5.50 [140]	4.75 [121]	2.68 [68]	5.62 [143]	5/8-11 [16]	8.81 [224]	.81 [21]	6.14 [156]	
25016980	NA21A34N			2A									
30475K	NA22A4N	4 IPS	4.500 [114]	2A		5.26 [134]		6.22 [158]		9.31 [236]	.81 [21]	5.62 [143]	
304194	NA22A44N			1A	6.00 [152]	4.00 [102]	2.94 [75]	6.22 [158]	5/8-11 [16]	10.75 [273]	1.00 [25]	5.62 [143]	
30007248	NA22A66N			5A				6.00 [152]		6.21 [158]		.91 [23]	6.63 [168]
25004261	NA24A44N			5 IPS	5.563 [141]	1B	7.00 [178]	4.00 [102]	3.75 [95]	7.24 [184]	5/8-11 [16]	11.75 [298]	1.00 [25]

D

D

C

C

B

B

A

A

REV: PE0200

8 7 6 5 4 3 2 1

TO ORDER BURNDY® PRODUCTS CALL		TERMINAL, TUBE TO FLAT	
UNITED STATES		ITEM NO: SEE TABLE	
1-800-346-4175 (LONDONDERRY, NH)		CAT. NO: NA--A-N (TABLE)	
CANADA:		DRAWN BY: BHARATHIRAJA 08/14/14	
1-800-361-6975 (QUEBEC)		CHECKER: --	
1-800-387-6487 (ALL OTHER PROVINCES)		DSN APPVL: R LAVOIE 10/14/14	
FOR PRODUCT INFO: <a href="http://www.burndy.com">http://www.burndy.com</a>		MFG APPVL: --	
		QA APPVL: C KOWALCZYK 10/24/14	
		MKT APPVL: B MICHAUD 10/14/14	
		SCALE: 1:1	
		PROJ FAM: SUBSTATION	
		DRAWING NO	
		SA038849	
		REV	
		M	
		SHEET 2 OF 2	

