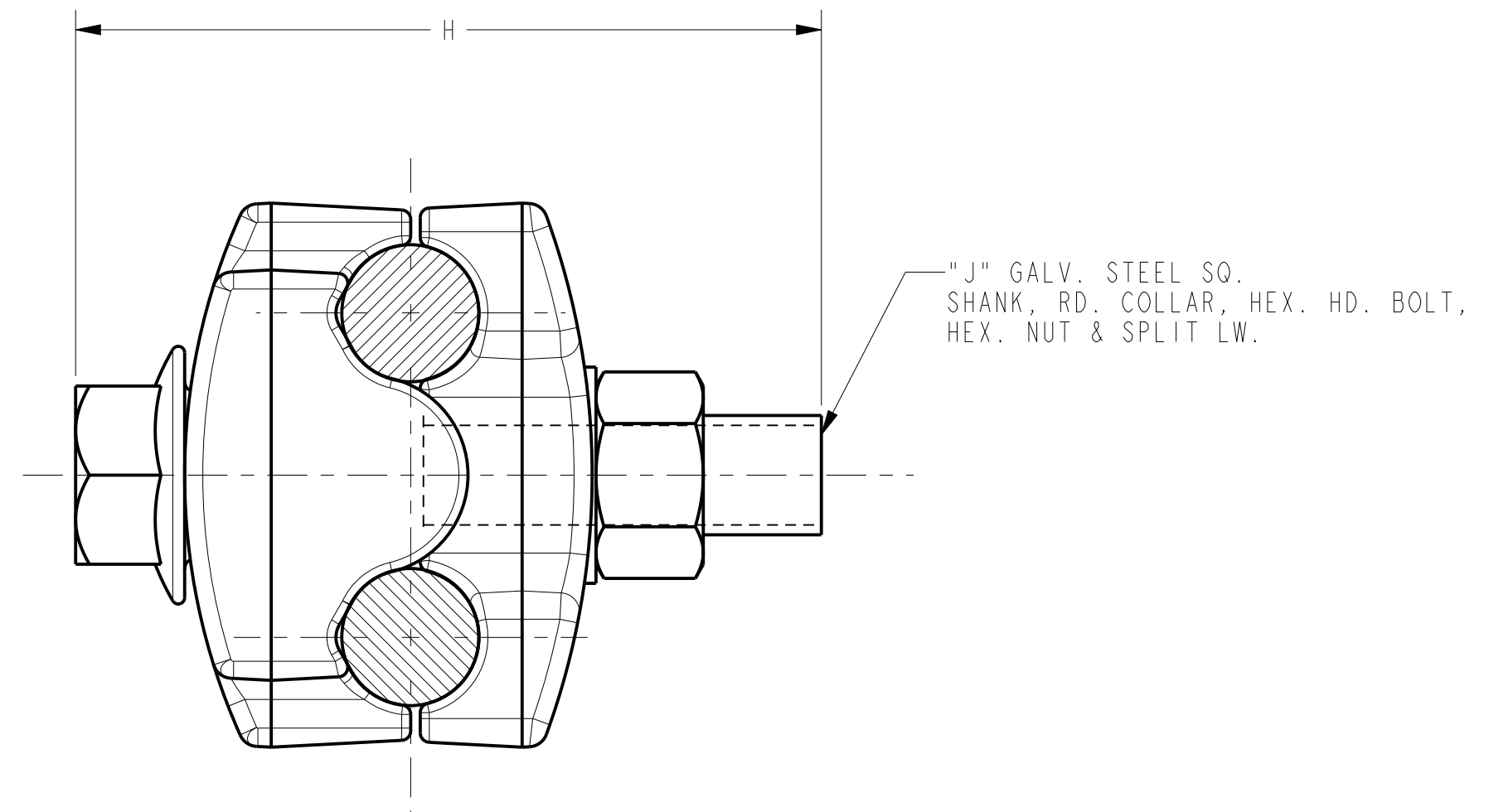
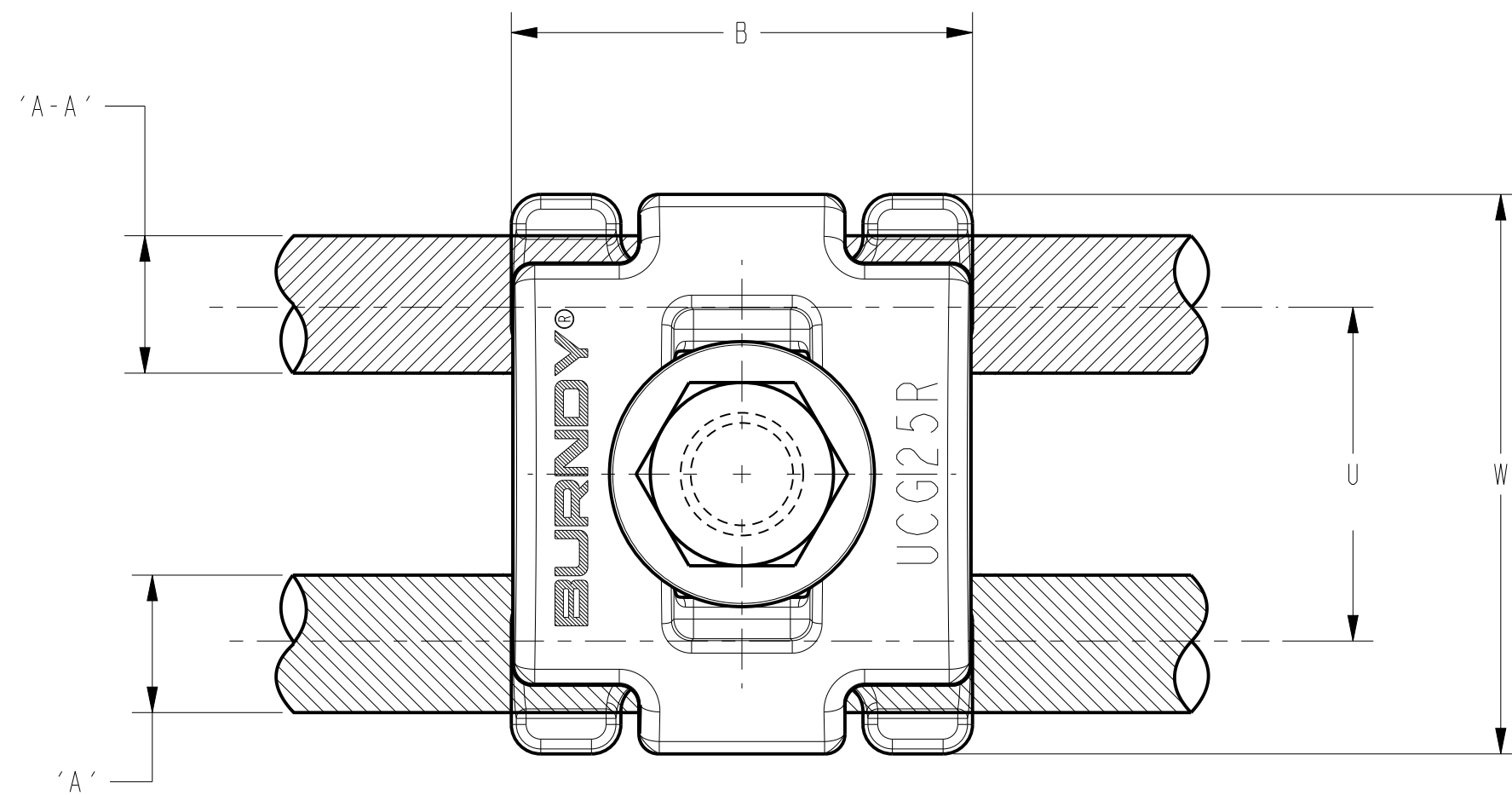


REV	DATE	DESCRIPTION	ECO	BY	C'K.
D	08/25/2011- 00:00:00 AM	"A" "B" & "C" ITEM REDRAW PROJECT	25092	AB	MB

CATALOG NUMBER	ACCOMMODATES										DIMENSIONS				
	RUN 'A'						TAP 'A - A'				B	H	J	U	W
	ACSR/AR		ACSR		CU. OR AL.		ACSR		CU. OR AL.						
	MIN.	MAX.	MIN.	MAX.	MIN.	MAX.	MIN.	MAX.	MIN.	MAX.					
UCG25R	---	---	#6(.198)	1/0(.398)	#8(.146)	1/0(.373)	#6(.198)	1/0(.398)	#8(.146)	1/0(.373)	1.41 [36]	2.09 [53]	3/8"	1.02 [26]	1.71 [43]
UCG32R	#6(.434)	1/0(.744)	1/0(.398)	336.5(.721)	1/0(.368)	397.5(.724)	#6(.198)	1/0(.398)	#8(.146)	2/0(.419)	1.50 [38]	2.59 [66]	3/8"	1.25 [32]	2.12 [54]
UCG25R2R	---	---	#8(.158)	1/0(.398)	#6(.162)	1/0(.373)	#8(.158)	#2(.316)	#6(.162)	#2(.292)	1.19 [30]	1.71 [43]	5/16"	.82 [21]	1.46 [37]
UCG28R	---	---	1/0(.398)	4/0(.563)	1/0(.368)	4/0(.528)	1/0(.398)	4/0(.563)	1/0(.368)	4/0(.528)	2.20 [56]	2.75 [70]	1/2"	1.15 [29]	2.20 [56]



NOTES:

1. MATERIAL: CAST ALUM. ALLOY

2. PENETROX™ NOTE :
SCRATCH BRUSH CONDUCTOR & CONNECTOR CONTACT SURFACE DRY, THEN APPLY 'PENETROX™ -A2'. 'PENETROX -A2' CAN BE PURCHASED FROM BURNDY PRODUCTS, IN CANS OR PLASTIC SQUEEZE BOTTLES. CONTACT SURFACES PROTECTED BY FACTORY COATING OF A CORROSION INHIBITING COMPOUND. 4

3. DIMENSIONS IN BRACKETS [] ARE IN MILLIMETERS, ROUNDED OFF TO THE NEAREST MILLIMETERS, UNLESS OTHERWISE SPECIFIED, AND ARE FOR REFERENCE ONLY.

4 ADDITION OF SUFFIX 'S' DENOTES FACTORY SEALED IN POLYBAG WITH PENETROX™ ALREADY INSTALLED. SEE FD57343-01. DO NOT SCRATCH BRUSH CONNECTOR CONDUCTOR GROOVES IF PENETROX™ HAS BEEN INSTALLED

SUPERSEDES: SC40940

TO ORDER BURNDY® PRODUCTS CALL UNITED STATES: 1-800-346-4175 (LONDONDERRY, NH) CANADA: 1-800-361-6975 (QUEBEC) 1-800-387-6487 (ALL OTHER PROVINCES) FOR PRODUCT INFO: http://www.burndy.com		TAPIT™		
		ITEM NO: N/A	CAT. NO: UCG---R (SEE TABLE)	
DRAWN BY: T.A.L	6/09/59			
CHECKER: E.R.D	6/10/59			
DSN APPVL: C.CHADBOURNE	5/22/96			
MFG APPVL: --	--			
QA APPVL: D.VARIO	6/27/96			
MKT APPVL: R.PELLETIER	6/04/96	SCALE: 1:1	DRAWING NO	REV
PROJECT #: --	SIZE	SA042956-01	D	
DOCUMENT TYPE: Sales	C	SHEET 1 OF 1		
REL LEVEL: Released				

REV: PE0200