

FIG. NO.	CABLE RANGE		NO. OF HOLES IN PAD	CATALOG NUMBER	APPROX SHIP. WT. IN LBS.	DIMENSIONS IN INCHES								
	MIN.	MAX.				B	C	D	E&F	H	K	L	N	T
D 11	#14 SOL.	#8 STR.	1	QB8C B1	.08	3/4	21/32	39/64	5/8	1 1/16	9/32	7/32	21/69	15/64
	#14 SOL.	#8 STR.	2	QB8C-2	.10	3/4	9/16	13/16	---	1 1/32	7/32	1 2/16	5/16	5/32
	#8 STR.	#4 STR.	1	QB4C	.09	3/4	45/64	27/32	---	---	9/32	1 3/8	11/32	1/4
	#8 STR.	#4 STR.	2	QB4C-2	.10	3/4	25/32	19/32	21/32	---	5/16	1 51/64	11/32	17/64
C 1	#4 STR.	#1 STR.	1	QB1C	.13	7/8	5/8	13/16	---	1	9/32	1 1/2	11/32	7/32
	#4 STR.	#1 STR.	2	QB1C-2	.16	7/8	5/8	1 5/8	7/8	1	11/32	2 5/16	11/32	7/32
	1/0 STR.	2/0 STR.	1	QB26	.23	15/16	13/16	1	---	1 1/8	13/32	1 13/16	7/16	7/32
	1/0 STR.	2/0 STR.	2	QB26-2	.28	15/16	13/16	2	1	1 1/8	13/32	2 13/16	7/16	7/32
	1/0 STR.	2/0 STR.	2	QB26-2N*	.31	15/16	13/16	3 1/8	1 3/4	1 1/8	9/16	3 15/16	5/8	7/32
	3/0 STR.	4/0 STR.	1	QB28	.28	1 1/16	1	1 1/16	---	1 5/16	13/32	2 1/16	17/32	1/4
	3/0 STR.	4/0 STR.	2	QB28-2	.34	1 1/16	1	2 1/16	1	1 5/16	13/32	3 1/16	7/16	1/4
	3/0 STR.	4/0 STR.	2	QB28-2N*	.42	1 1/16	1	3 3/16	1 3/4	1 5/16	9/16	4 3/16	5/8	1/4
	250 Kcmil	350 Kcmil	1	QB31	.53	1 3/16	1 3/16	1 9/16	---	1 11/16	17/32	2 13/16	11/16	5/16
	250 Kcmil	350 Kcmil	2	QB31-2	.60	1 3/16	1 3/16	2 1/8	1	1 11/16	13/32	3 3/8	7/16	5/16
	250 Kcmil	350 Kcmil	2	QB31-2N*	.72	1 3/16	1 3/16	3 1/4	1 3/4	1 11/16	9/16	4 1/2	5/8	5/16
	400 Kcmil	500 Kcmil	1	QB34	.82	1 3/8	1 3/8	1 3/4	---	1 15/16	17/32	3 3/16	13/16	5/16
400 Kcmil	500 Kcmil	2	QB34-2	.85	1 3/8	1 3/8	2 1/8	1	1 15/16	13/32	3 9/16	7/16	5/16	
400 Kcmil	500 Kcmil	2	QB34-2N*	.99	1 3/8	1 3/8	3 1/4	1 3/4	1 15/16	9/16	4 11/16	5/8	5/16	
400 Kcmil	500 Kcmil	4	QB34-4	.94	1 3/8	1 7/8	2 1/16	1	1 15/16	7/16	3 1/2	7/16	5/16	
600 Kcmil	800 Kcmil	1	QB40	1.4	1 5/8	1 5/8	2 1/16	---	2 5/16	11/16	3 13/16	15/16	3/8	
600 Kcmil	800 Kcmil	2	QB40-2	1.6	1 5/8	1 5/8	2 5/16	1 1/8	2 5/16	7/16	4 1/16	1/2	3/8	
600 Kcmil	800 Kcmil	2	QB40-2N*	1.7	1 5/8	1 5/8	3 3/16	1 3/4	2 5/16	9/16	4 15/16	5/8	3/8	
600 Kcmil	800 Kcmil	4	QB40-4	1.7	1 5/8	1 7/8	2 1/8	1	2 5/16	7/16	3 7/8	7/16	3/8	
600 Kcmil	800 Kcmil	4	QB40-4N*	2.3	1 5/8	3	3 1/4	1 3/4	2 5/16	9/16	5	5/8	3/8	
850 Kcmil	1000 Kcmil	1	QB44	2.0	1 3/4	1 7/8	2 3/16	---	2 1/2	11/16	4 1/16	1	1/2	
850 Kcmil	1000 Kcmil	2	QB44-2	2.0	1 3/4	1 7/8	2 1/2	1 1/4	2 1/2	9/16	4 2/8	17/32	1/2	
850 Kcmil	1000 Kcmil	2	QB44-2N*	2.2	1 3/4	1 7/8	3 3/16	1 3/4	2 1/2	9/16	5 1/16	5/8	1/2	
850 Kcmil	1000 Kcmil	4	QB44-4	2.1	1 3/4	2 1/8	2 3/8	1 1/8	2 1/2	7/16	4 1/4	1/2	1/2	
850 Kcmil	1000 Kcmil	4	QB44-4N*	2.8	1 3/4	3	3 1/4	1 3/4	2 1/2	9/16	5 1/8	5/8	1/2	
1100 Kcmil	1500 Kcmil	1	QB46	3.1	2	2 1/8	2 5/16	---	2 7/8	13/16	4 1/2	1 1/16	9/16	
1100 Kcmil	1500 Kcmil	2	QB46-2	3.3	2	2 1/8	2 7/8	1 3/8	2 7/8	9/16	5 1/16	5/8	9/16	
1100 Kcmil	1500 Kcmil	2	QB46-2N*	3.5	2	2 1/8	3 1/4	1 3/4	2 7/8	9/16	5 7/16	5/8	9/16	
1100 Kcmil	1500 Kcmil	4	QB46-4	3.3	2	2 1/2	2 13/16	1 3/8	2 7/8	9/16	5	9/16	1/2	
1100 Kcmil	1500 Kcmil	4	QB46-4N*	3.8	2	3	3 5/16	1 3/4	2 7/8	9/16	5 1/2	5/8	1/2	
1600 Kcmil	2000 Kcmil	1	QB48	4.6	2 3/8	2 1/2	2 9/16	---	3 3/16	13/16	4 15/16	1 3/16	5/8	
1600 Kcmil	2000 Kcmil	2	QB48-2	4.8	2 3/8	2 1/2	2 15/16	1 1/2	3 3/16	9/16	5 5/16	5/8	5/8	
1600 Kcmil	2000 Kcmil	4	QB48-2N*	4.9	2 3/8	2 1/2	3 3/16	1 3/4	3 3/16	9/16	5 9/16	5/8	5/8	
1600 Kcmil	2000 Kcmil	4	QB48-4	4.7	2 3/8	2 5/8	2 15/16	1 1/2	3 3/16	9/16	5 5/16	9/16	5/8	
1600 Kcmil	2000 Kcmil	4	QB48-4N*	5.2	2 3/8	3	3 5/16	1 3/4	3 3/16	9/16	5 11/16	5/8	5/8	

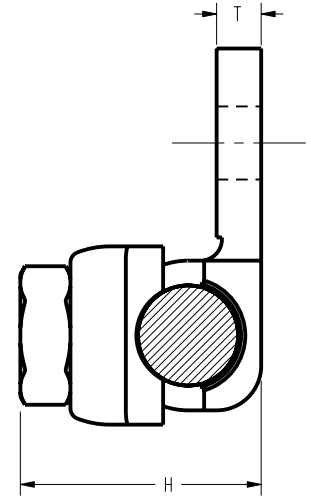
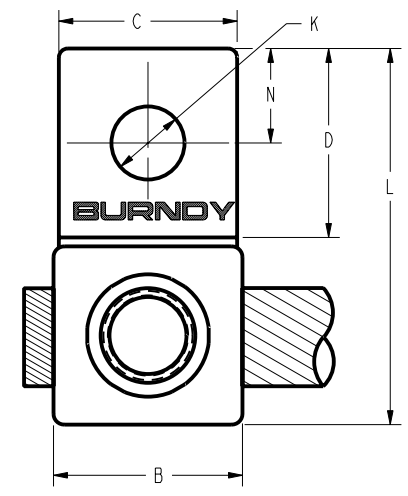


FIG. I
TYPE QB

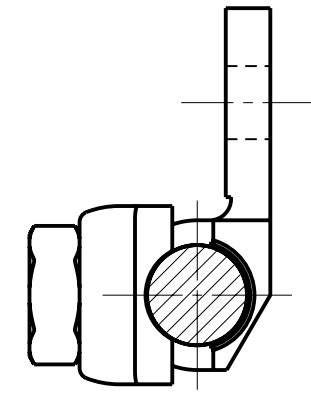
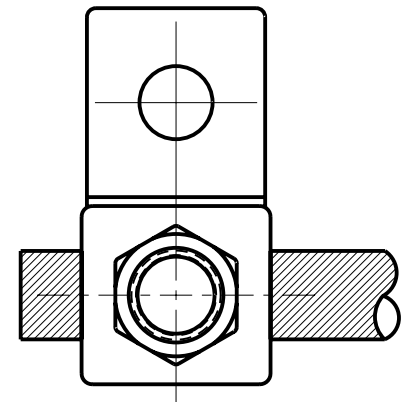
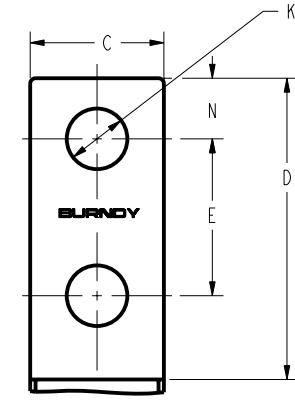
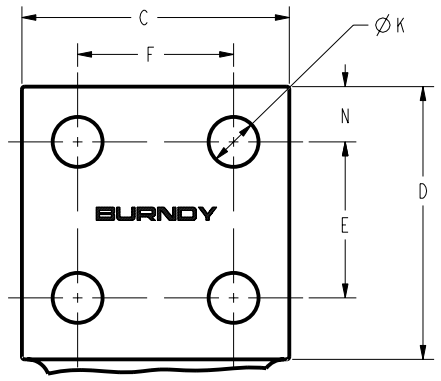


FIG. II

NOTE:
QIKLUG
TYPE QB
SIDE ENTRANCE TERMINAL FOR RANGE OF CABLE



A SIDE ENTRANCE QIKLUG USED FOR JOINING CABLE AT RIGHT ANGLES TO THE TERMINAL BLOCK. CONDUCTOR IS GRIPPED SECURELY AND NO BENDING IS REQUIRED TO ALIGN IT. ALL THAT IS REQUIRED IS TO TIGHTEN THE NUT ON CLAMPING ELEMENT TO COMPLETE THE INSTALLATION. QIKLUGS CAN BE EASILY REMOVED FROM SERVICE AND RE-USED.

SUPERSEDES: SC6068-12
* MOUNTING
REFERENCE:- FA85741, PD9225, PC11093

TO ORDER BURNDY® PRODUCTS CALL		QIKLUG	
UNITED STATES 1-800-346-4175 (LONDONDERRY, NH)		ITEM NO: N/A	SCALE: 2:1
CANADA: 1-800-361-6975 (QUEBEC) 1-800-387-6487 (ALL OTHER PROVINCES)		CAT. NO: QB (GEN'L)	REV
FOR PRODUCT INFO: http://www.fciconnect.com		DRAWN BY: R.M.W. 5-12-42	SA06068-01
		CHECKER: -- 11-26-57	B
		DSN APPVL: --	
		MFG APPVL: --	
		QA APPVL: --	
		MKT APPVL: --	
		PROJ #: --	
		DOCUMENT TYPE: Sales	
		REL LEVEL: Released	

REV: PE0200