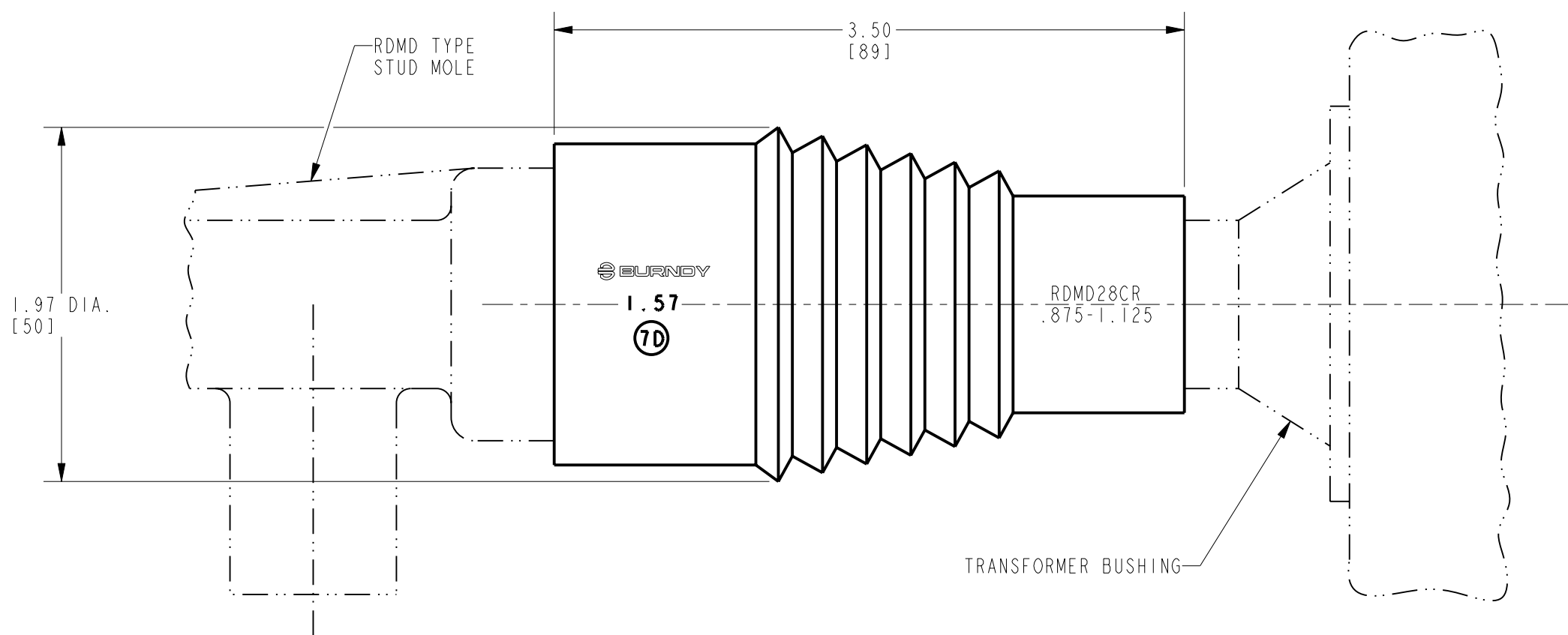


REV.	DATE	DESCRIPTION	ECO	BY	C'H'K.
ms#-A176008440000#11/27/0012 00	00/06/00	SALES DRAWING UPDATE	29215	B.D	M.B



NOTES:

1. MATERIAL: RUBBER
2. DIMENSIONS IN BRACKETS [ ] ARE IN MILLIMETERS ROUNDED OFF TO THE NEAREST MILLIMETER, UNLESS OTHERWISE NOTED, AND ARE FOR REFERENCE ONLY.
3. ACCOMMODATES:  
BUSHING DIA. RANGE .875 - 1.125

REFERENCE: PD075505-01

TO ORDER BURNDY® PRODUCTS CALL  
 UNITED STATES:  
 1-800-346-4175 (LONDONDERRY, NH)  
 CANADA:  
 1-800-361-6975 (QUEBEC)  
 1-800-387-6487 (ALL OTHER PROVINCES)  
 FOR PRODUCT INFO: <http://www.burndy.com>

RUBBER INSULATING SLEEVE	
ITEM NO:	208102
CAT. NO:	RDMD28CR
DRAWN BY:	S.D.C. 10/26/73
CHECKER:	CR 11/02/73
DSN APPVL:	--
MFG APPVL:	--
QA APPVL:	--
MKT APPVL:	--
PROD FAM:	Underground_Mech._Conn.
PROJECT #:	--
DOCUMENT TYPE:	Sales
REL LEVEL:	Released
SCALE:	5:4
DRAWING NO	SA076579-01
REV	A
SHEET	1 OF 1



REV: PE0200