

DRAWING NO.  
SC023381-01

CATALOG NUMBER	COPPER CONDUCTOR RANGE (A)	FIG. NO.	DIMENSIONS								
			B	C	CF	D	H	J	L	T	U
Q2B262N	1/0 STR. (.373) - 2/0 STR. (.418)	1	.94 [24]	1.25 [32]	.69 [18]	3.12 [79]	1.12 [28]	1/2 [M12]	5.06 [129]	.22 [6]	1.06 [27]
Q2B282N	3/0 STR. (.470) - 4/0 STR. (.528)	1	1.06 [27]	1.88 [48]	.69 [18]	3.12 [79]	1.31 [33]	1/2 [M12]	5.19 [132]	.25 [6]	1.06 [27]
Q2B284N	3/0 STR. (.470) - 4/0 STR. (.528)	2	1.06 [27]	3.00 [76]	.69 [18]	3.12 [79]	1.31 [33]	1/2 [M12]	5.19 [132]	.25 [6]	1.06 [27]
Q2B312N	250 kcmil (.575) - 350 kcmil (.681)	1	1.19 [30]	2.38 [60]	.75 [19]	3.19 [81]	1.69 [43]	9/16 [M14]	5.88 [149]	.31 [8]	1.38 [35]
Q2B314N	250 kcmil (.575) - 350 kcmil (.681)	2	1.19 [30]	3.00 [76]	.75 [19]	3.19 [81]	1.69 [43]	9/16 [M14]	5.88 [149]	.31 [8]	1.38 [35]
Q2B342N	400 kcmil (.728) - 500 kcmil (.814)	1	1.38 [35]	2.50 [64]	.81 [21]	3.19 [81]	1.94 [49]	5/8 [M16]	6.19 [157]	.38 [10]	1.56 [40]
Q2B344N	400 kcmil (.728) - 500 kcmil (.814)	2	1.38 [35]	3.00 [76]	.81 [21]	3.19 [81]	1.94 [49]	5/8 [M16]	6.19 [157]	.38 [10]	1.56 [40]
Q2B402N	600 kcmil (.893) - 800 kcmil (1.031)	1	1.62 [41]	3.00 [76]	1.00 [25]	3.06 [78]	2.31 [59]	3/4 [M20]	6.69 [170]	.44 [11]	1.88 [48]
Q2B404N	600 kcmil (.893) - 800 kcmil (1.031)	2	1.62 [41]	3.00 [76]	1.00 [25]	3.06 [78]	2.31 [59]	3/4 [M20]	6.69 [170]	.44 [11]	1.88 [48]
Q2B444N	850 kcmil (1.062) - 1000 kcmil (1.152)	2	1.75 [44]	3.25 [83]	1.25 [32]	3.25 [83]	2.50 [64]	7/8 [M22]	7.12 [181]	.50 [13]	2.00 [51]
Q2B464N	1100 kcmil (1.209) - 1500 kcmil (1.412)	2	2.00 [51]	3.50 [89]	1.25 [32]	3.12 [79]	2.88 [73]	7/8 [M22]	7.62 [194]	.69 [18]	2.31 [59]
Q2B484N	1600 kcmil (1.459) - 2000 kcmil (1.631)	2	2.38 [60]	4.00 [102]	1.44 [37]	3.06 [78]	3.19 [81]	1 [M24]	7.94 [202]	.81 [21]	2.50 [64]

REV	DATE	DESCRIPTION	ECO	BY	C'H'K.
A	5/11/2011 12:00:00 AM	UPDATE DRAWING FOR QIKLUGS (NEMA TONGUES)	24406	AD	MA

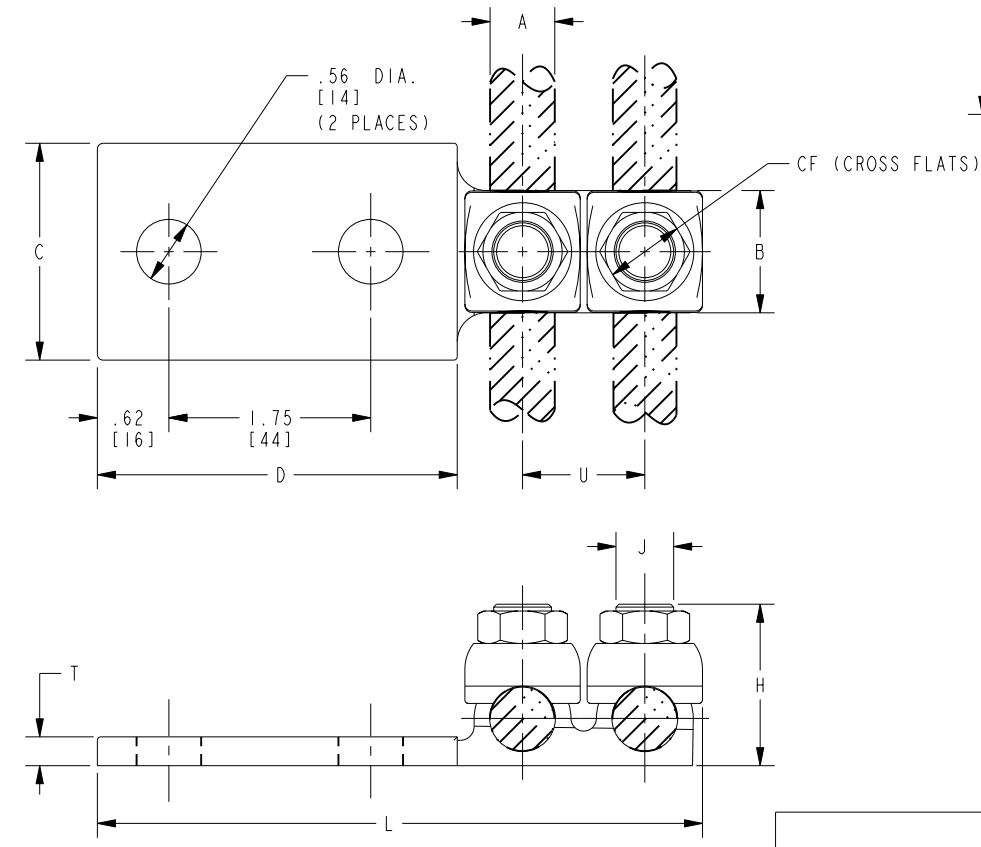


FIG. 1

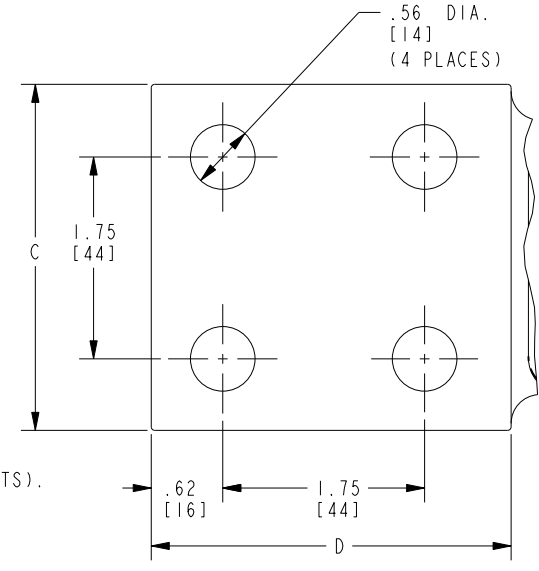


FIG. 2.

REFERENCES:  
PD009225-01  
FOR Q2B- GEN'L DWG. SEE SA005930-01

SUPERSEDES:  
SC005930-09 (D.O. 9891)

- NOTES:
- MATERIAL:  
CAST COPPER ALLOY 115 OR 116.
  - FINISH:  
BRIGHT DIPPED.
  - DIMENSIONS IN BRACKETS [ ] ARE IN MILLIMETERS, ROUNDED OFF TO THE NEAREST MILLIMETER, UNLESS OTHERWISE NOTED. METRIC DIMENSIONS ARE FOR REFERENCE ONLY.

TO ORDER BURNDY® PRODUCTS CALL		QIKLUGS™(NEMA TONGUES)	
UNITED STATES: 1-800-346-4175 (LONDONDERRY, NH)		ITEM NO: N/A	
CANADA: 1-800-361-6975 (QUEBEC) 1-800-387-6487 (ALL OTHER PROVINCES)		CAT. NO: Q2B-2N, Q2B-4N (TABLE)	
FOR PRODUCT INFO: <a href="http://www.burndy.com">http://www.burndy.com</a>		DRAWN BY: B.K. 11/30/50	
		CHECKER: L.H. 02/23/51	
		DSN APPVL: --	
		MFG APPVL: --	
		QA APPVL: --	
		MKT APPVL: --	
		SCALE: 1:1	
		PROD FAM: --	
		PROJECT #: --	
		DOCUMENT TYPE: Sales	
		REL LEVEL: Released	
		DRAWING NO SC023381-01	
		REV A	

REV: PE0200