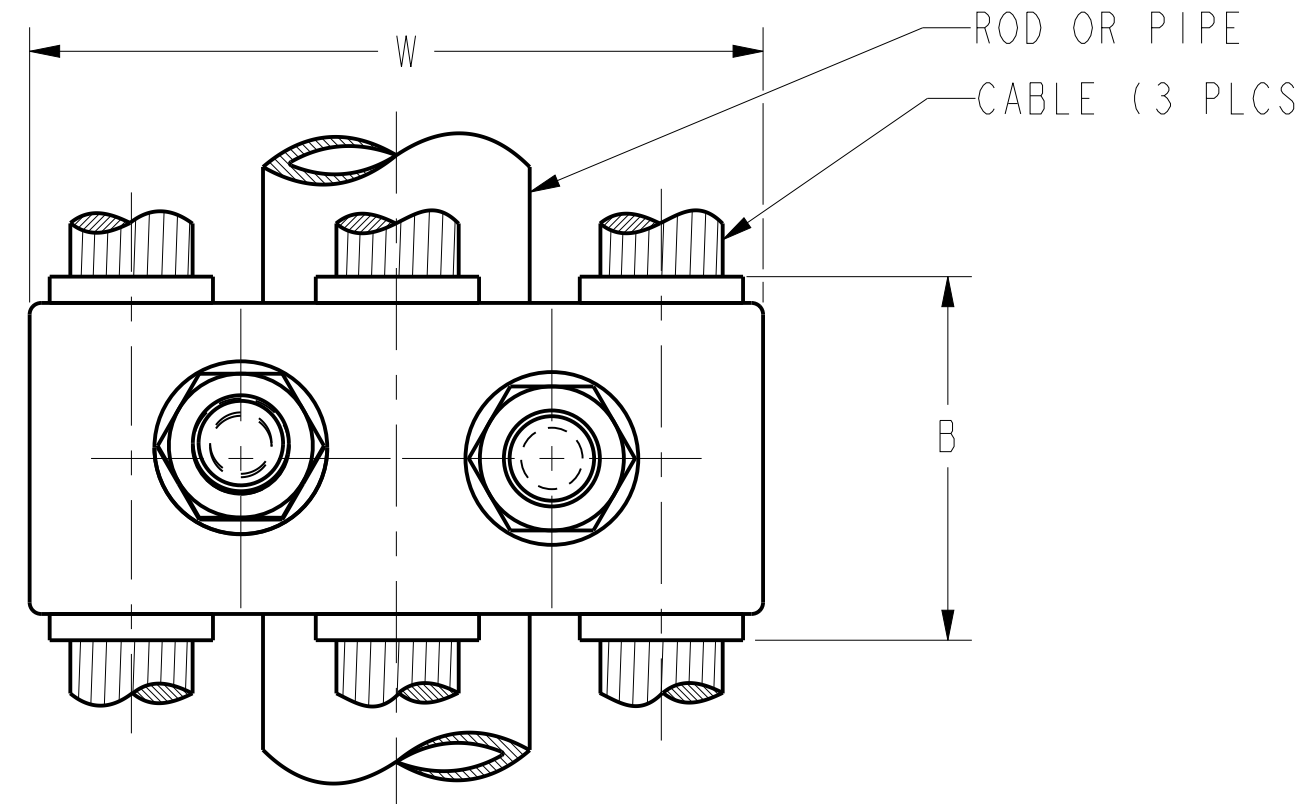
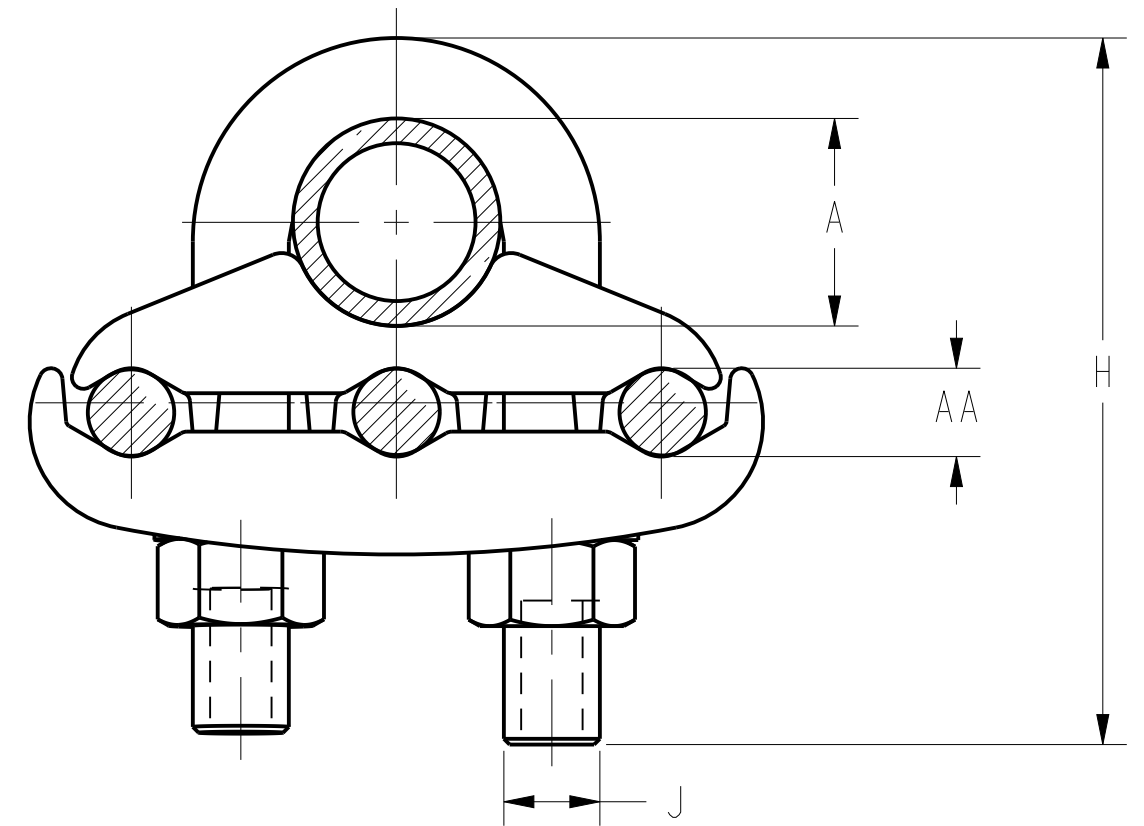


REV	DATE	DESCRIPTION	ECO	BY	C.H.K.
C	12/02/2014 00:00:00 AM	LOGO UPDATE	38554	AS	MB

CATALOG NUMBER	'A'				'AA'				APPROXIMATE SHIPPING WEIGHT IN Lbs [kg]	DIMENSIONS INCHES [MILLIMETERS]				TORQUE			
	ROD		I.P.S PIPE		COPPER CABLE RANGE					B	H	J	W	Lb*in	N*m		
	NOMINAL DIA (in)	ACTUAL DIA (in) (mm)	NOMINAL DIA (in)	ACTUAL DIA (in)	(AWG)		METRIC WIRE SIZE										
GK184C GK1826 GK1829 GK1834 GK1839	2 OR 2 7/8 2 OR 2 7/8 2 OR 2 7/8 2 OR 2 7/8 2 OR 2 7/8	2.000 OR 2.375	50.8 OR 60.3	2 2 2 2 2	2.375 2.375 2.375 2.375 2.375	[58.2] [58.2] [58.2] [58.2] [58.2]	#8 SOL #4 SOL 2/0 SOL 300 kcmil 550 kcmil	#4 STR 2/0 STR 250 kcmil 500 kcmil 750 kcmil	10mm <sup>2</sup> SOL 25mm <sup>2</sup> STR 70mm <sup>2</sup> STR 150mm <sup>2</sup> STR 300mm <sup>2</sup> STR	16mm <sup>2</sup> STR 50mm <sup>2</sup> STR 120mm <sup>2</sup> STR 240mm <sup>2</sup> STR 400mm <sup>2</sup> STR	1.6 [0.73] 1.9 [0.86] 2.7 [1.23] 3.5 [1.59] 5.3 [2.40]	1.38 [35] 1.50 [38] 1.63 [41] 1.75 [44] 2.13 [54]	4.19 [106] 4.19 [106] 4.38 [111] 5.38 [137] 5.44 [138]	3/8 [10] 3/8 [10] 1/2 [13] 1/2 [13] 5/8 [16]	4.25 [108] 4.56 [116] 5.13 [130] 5.69 [144] 6.19 [160]	240 240 480 480 660	27.0 27.0 54.1 54.1 74.4
GK194C GK1926 GK1929 GK1934 GK1939	2 1/2 OR 2 7/8 2 1/2 OR 2 7/8 2 1/2 OR 2 7/8 2 1/2 OR 2 7/8 2 1/2 OR 2 7/8	2.500 OR 2.875	63.5 OR 73.0	2 1/2 2 1/2 2 1/2 2 1/2 2 1/2	2.875 2.875 2.875 2.875 2.875	[70.4] [70.4] [70.4] [70.4] [70.4]	#8 SOL #4 SOL 2/0 SOL 300 kcmil 550 kcmil	#4 STR 2/0 STR 250 kcmil 500 kcmil 750 kcmil	10mm <sup>2</sup> SOL 25mm <sup>2</sup> STR 70mm <sup>2</sup> STR 150mm <sup>2</sup> STR 300mm <sup>2</sup> STR	16mm <sup>2</sup> STR 50mm <sup>2</sup> STR 120mm <sup>2</sup> STR 240mm <sup>2</sup> STR 400mm <sup>2</sup> STR	1.7 [0.77] 2.1 [0.95] 2.9 [1.32] 3.7 [1.68] 5.6 [2.44]	1.38 [35] 1.50 [38] 1.63 [41] 1.75 [44] 2.13 [54]	5.00 [127] 5.00 [127] 5.00 [127] 5.38 [137] 6.00 [152]	3/8 [10] 3/8 [10] 1/2 [13] 1/2 [13] 5/8 [16]	4.75 [121] 5.06 [129] 5.63 [143] 6.19 [157] 6.81 [173]	240 240 480 480 660	27.0 27.0 54.1 54.1 74.4
GK204C GK2026 GK2029 GK2034 GK2039	3 OR 3 1/2 3 OR 3 1/2 3 OR 3 1/2 3 OR 3 1/2 3 OR 3 1/2	3.000 OR 3.500	76.2 OR 88.9	3 3 3 3 3	3.500 3.500 3.500 3.500 3.500	[65.8] [65.8] [65.8] [65.8] [65.8]	#8 SOL #4 SOL 2/0 SOL 300 kcmil 550 kcmil	#4 STR 2/0 STR 250 kcmil 500 kcmil 750 kcmil	10mm <sup>2</sup> SOL 25mm <sup>2</sup> STR 70mm <sup>2</sup> STR 150mm <sup>2</sup> STR 300mm <sup>2</sup> STR	16mm <sup>2</sup> STR 50mm <sup>2</sup> STR 120mm <sup>2</sup> STR 240mm <sup>2</sup> STR 400mm <sup>2</sup> STR	1.9 [0.86] 2.2 [1.00] 3.1 [1.41] 3.9 [1.77] 6.1 [2.77]	1.38 [35] 1.50 [38] 1.63 [41] 1.75 [44] 2.13 [54]	5.56 [141] 5.56 [141] 5.75 [146] 6.31 [160] 6.81 [173]	3/8 [10] 3/8 [10] 1/2 [13] 1/2 [13] 5/8 [16]	5.38 [137] 5.69 [144] 6.19 [160] 6.88 [175] 7.44 [189]	240 240 480 480 660	27.0 27.0 54.1 54.1 74.4
GK214C GK2126 GK2129 GK2134 GK2139	3 1/2 OR 4 3 1/2 OR 4 3 1/2 OR 4 3 1/2 OR 4 3 1/2 OR 4	3.500 OR 4.000	88.9 OR 101.6	3 1/2 3 1/2 3 1/2 3 1/2 3 1/2	4.000 4.000 4.000 4.000 4.000	[98.0] [98.0] [98.0] [98.0] [98.0]	#8 SOL #4 SOL 2/0 SOL 300 kcmil 550 kcmil	#4 STR 2/0 STR 250 kcmil 500 kcmil 750 kcmil	10mm <sup>2</sup> SOL 25mm <sup>2</sup> STR 70mm <sup>2</sup> STR 150mm <sup>2</sup> STR 300mm <sup>2</sup> STR	16mm <sup>2</sup> STR 50mm <sup>2</sup> STR 120mm <sup>2</sup> STR 240mm <sup>2</sup> STR 400mm <sup>2</sup> STR	2.1 [0.95] 2.4 [1.09] 3.2 [1.45] 4.1 [1.86] 6.5 [2.95]	1.38 [35] 1.50 [38] 1.50 [38] 1.75 [44] 2.13 [54]	6.19 [157] 6.19 [157] 6.16 [156] 6.69 [170] 7.50 [192]	3/8 [10] 3/8 [10] 1/2 [13] 1/2 [13] 5/8 [16]	5.88 [149] 6.19 [157] 6.72 [171] 7.31 [186] 7.94 [202]	240 240 240 480 660	27.0 27.0 27.0 54.1 74.4
GK224C GK2226 GK2229 GK2234 GK2239	4 OR 4 1/2 4 OR 4 1/2 4 OR 4 1/2 4 OR 4 1/2 4 OR 4 1/2	4.000 OR 4.500	101.6 OR 114.3	4 4 4 4 4	4.500 4.500 4.500 4.500 4.500	[110.3] [110.3] [110.3] [110.3] [110.3]	#8 SOL #4 SOL 2/0 SOL 300 kcmil 550 kcmil	#4 STR 2/0 STR 250 kcmil 500 kcmil 750 kcmil	10mm <sup>2</sup> SOL 25mm <sup>2</sup> STR 70mm <sup>2</sup> STR 150mm <sup>2</sup> STR 300mm <sup>2</sup> STR	16mm <sup>2</sup> STR 50mm <sup>2</sup> STR 120mm <sup>2</sup> STR 240mm <sup>2</sup> STR 400mm <sup>2</sup> STR	2.3 [1.04] 2.6 [1.18] 3.5 [1.59] 4.3 [1.95] 7.0 [3.18]	1.38 [35] 1.50 [38] 1.63 [41] 1.75 [44] 2.13 [54]	6.38 [162] 6.38 [162] 6.81 [173] 6.81 [173] 7.81 [202]	3/8 [10] 3/8 [10] 1/2 [13] 1/2 [13] 3/8 [10]	6.38 [162] 6.69 [170] 7.25 [184] 7.81 [198] 8.44 [214]	240 240 480 480 660	27.0 27.0 54.1 54.1 74.4



- NOTES:
- MATERIAL: CAST COPPER ALLOY  
DURIUM (U - BOLTS, NUTS AND LOCKWASHERS).
  - UL 467 LISTED, FILE NO. E9999. ACCEPTABLE FOR DIRECT BURIAL.
  - DIMENSIONS IN BRACKETS [ ] ARE IN MILLIMETERS ROUNDED OFF TO THE NEAREST MILLIMETER, UNLESS OTHERWISE NOTED. AND ARE FOR REFERENCE ONLY.
  - GROUND CONNECTOR JOINING THREE EQUAL CABLES TO ONE ROD OR ONE PIPE.

TO ORDER BURNDY® PRODUCTS CALL		GROUNDING CLAMP	
UNITED STATES 1-800-346-4175 (LONDONDERRY, NH)		ITEM NO: N/A	CAT. NO: GK-- (TABLE)
CANADA: 1-800-361-6975 (QUEBEC) 1-800-387-6487 (ALL OTHER PROVINCES)		DRAWN BY: WGG 12/10/69	CHECKER: JPS 12/10/69
FOR PRODUCT INFO: <a href="http://www.burndy.com">http://www.burndy.com</a>		DSN APPVL: MG 12/12/69	MFG APPVL: --
		GA APPVL: --	
		MKT APPVL: K WOO 11/11/93	SCALE: 1:1
		PROD FAM: --	DRAWING NO
		PROJECT #: --	SIZE
		DOCUMENT TYPE: Sales	SC069674
		REL LEVEL: Released	D
			SHEET 2 OF 2

REV: PE0200