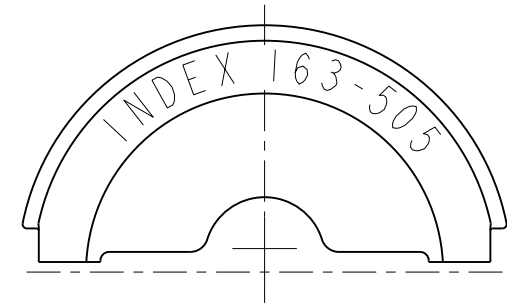
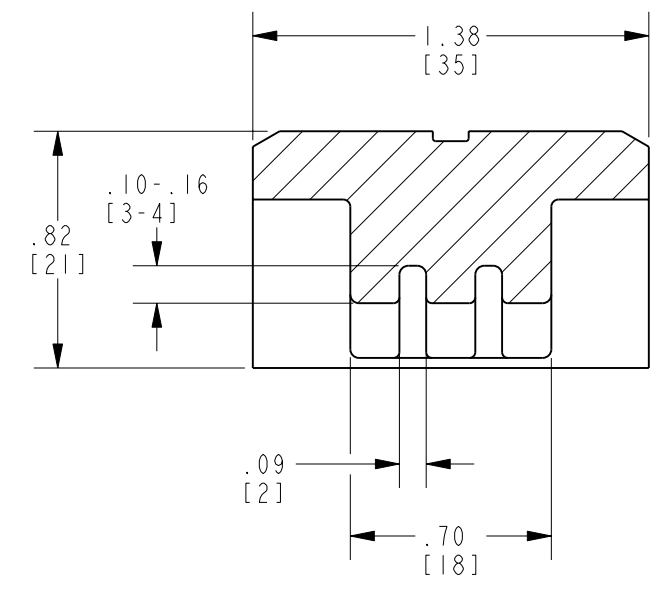
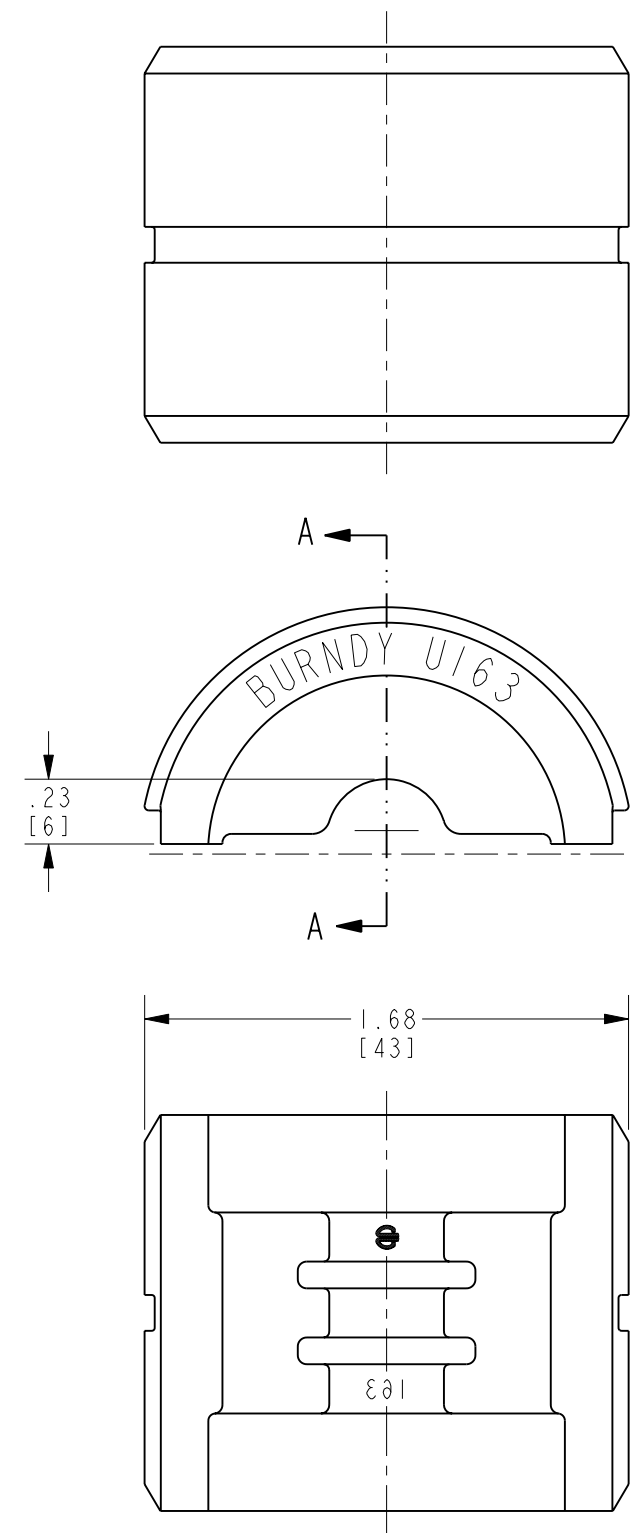


REV.	DATE	DESCRIPTION	ECO	BY	C'H'K.
A	7/16/2010 12:00:00 AM	SALES DRAWING RELEASED	21540	RM	JG



SECTION A-A

NOTES:

1. DIMENSIONS IN [] BRACKETS ARE IN MILLIMETERS, ROUNDED OFF TO THE NEAREST MILLIMETER, UNLESS OTHERWISE NOTED. METRIC DIMENSIONS ARE FOR REFERENCE ONLY.
2. DIE INSPECTION GAGE CATALOG NUMBER (CUSTOMER AND ENGINEERING USE ONLY): N/A
3. MATERIAL: STAINLESS STEEL.

TO ORDER BURNDY® PRODUCTS CALL
 UNITED STATES:
 1-800-346-4175 (LONDONDERRY, NH)
 CANADA:
 1-800-361-6975 (QUEBEC)
 1-800-387-6487 (ALL OTHER PROVINCES)
 FOR PRODUCT INFO: <http://www.burndy.com>

CIRCULAR BUTTING TWIN DIE			
ITEM NO:	N/A		
CAT. NO:	U163		
DRAWN BY:	R. MURUGESAN	7/8/2010	
CHECKER:	--	--	
DSN APPVL:	--	--	
MFG APPVL:	--	--	
QA APPVL:	--	--	
MKT APPVL:	--	--	
PROD FAM:	TOOLS_HYDRAULIC/U_DIE	DRAWING NO	REV
PROJECT #:	--	SIZE	SC085349-01
DOCUMENT TYPE:	Sales	B	A
REL LEVEL:	Released		SHEET 1 OF 1

REV: PE0200