

CONDUCTOR ALUMINUM PIPE SIZE	DIMENSIONS IN/[MM]			CATALOG NUMBER			
	A	C	L	IPS (SCHD 40)	FIG#	EHPS (SCHD 80)	FIG#
1/2"	.84 [21]	.38 [9.7]	1.25 [32]	LB13A	2	LB53A	2
3/4"	1.05 [27]	.50 [13]	1.37 [35]	LB14A	2	LB54A	2
1"	1.32 [34]	.50 [13]	1.35 [34]	LB15A	2	LB55A	2
1 1/4"	1.66 [42]	.50 [13]	1.35 [34]	LB16A	2	LB56A	2
1 1/2"	1.90 [48]	.50 [13]	1.35 [34]	LB17A	2	LB57A	2
2"	2.38 [60]	.88 [22]	2.16 [55]	LB18A	1	LB58A	1
2 1/2"	2.88 [73]	.88 [22]	2.24 [57]	LB19A	1	LB59A	1
3"	3.50 [89]	.88 [22]	2.29 [58]	LB20A	1	LB90A	1
3 1/2"	4.00 [102]	.88 [22]	2.33 [59]	LB21A	1	LB91A	1
4"	4.50 [114]	.88 [22]	2.22 [56]	LB22A	1	LB92A	1
5"	5.56 [141]	.88 [22]	2.45 [62]	LB24A	1	LB94A	1
6"	6.63 [168]	.88 [22]	2.57 [65]	LB86A	1	LB96A	1
8"	8.63 [219]	.75 [19]	2.28 [58]	LB88A	1	-	-

ALUMINUM TUBING		DIMENSIONS IN/[MM]			CATALOG NUMBER	FIG NO.
OD	WALL	A	C	L		
8.00 [203]	.50 [13]	8.00 [203]	.75 [19]	2.28 [58]	LB83A	1
8.00 [203]	.28 [7]	8.00 [203]	.75 [19]	2.28 [58]	LB83AW281	1

NOTES:

- MATERIAL: CAST ALUMINUM ALLOY
- DIMENSIONS IN BRACKETS [] ARE IN MILLIMETERS ROUNDED OFF TO THE NEAREST MILLIMETER, UNLESS OTHERWISE NOTED, AND ARE FOR REFERENCE ONLY.
- THE CONCEPTS SHOWN INCORPORATES DESIGN PRINCIPLES WHICH PERMITS OPERATION AT A VOLTAGE GRADIENT NORMALLY ASSOCIATED WITH 230 KV WHEN TERMINATING A BUS IN AN UNSHIELDED APPLICATION AND 550 KV WHEN TERMINATING A BUS INSIDE THE PROTECTION ZONE OF A CORONA RING.

REV	DATE	DESCRIPTION	ECO	BY	C'H'K.
C	4/11/2010 12:00:00 AM	UPDATE SC207593 TO INCLUDE LB83AW281 (30000760)	20742	SP	JH

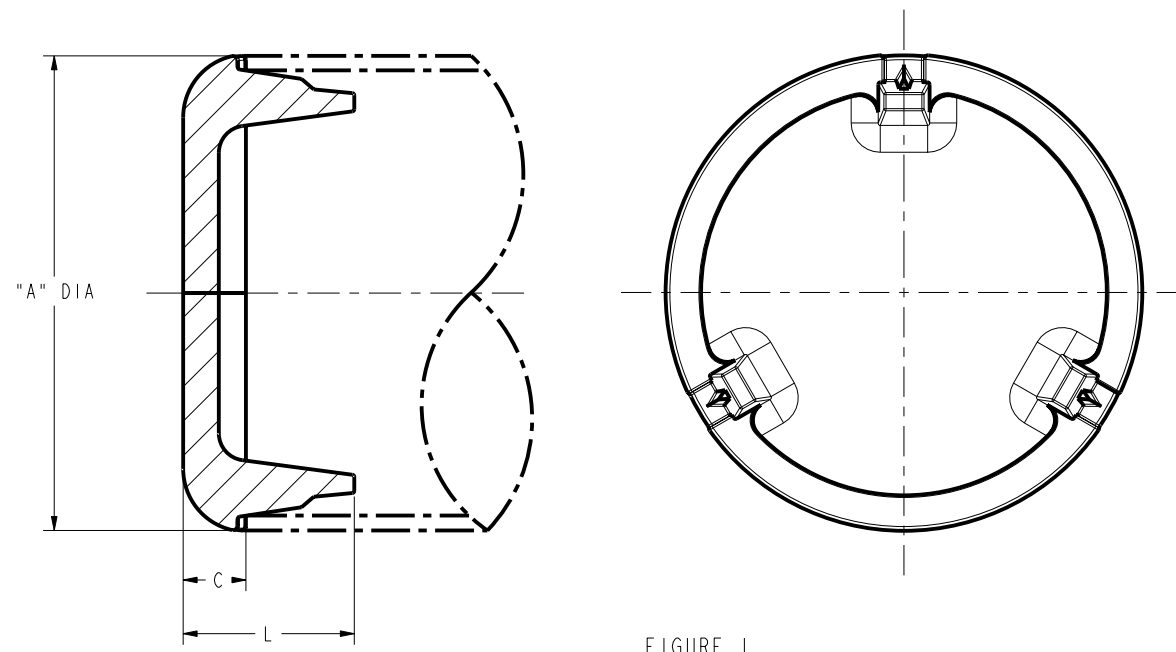


FIGURE 1

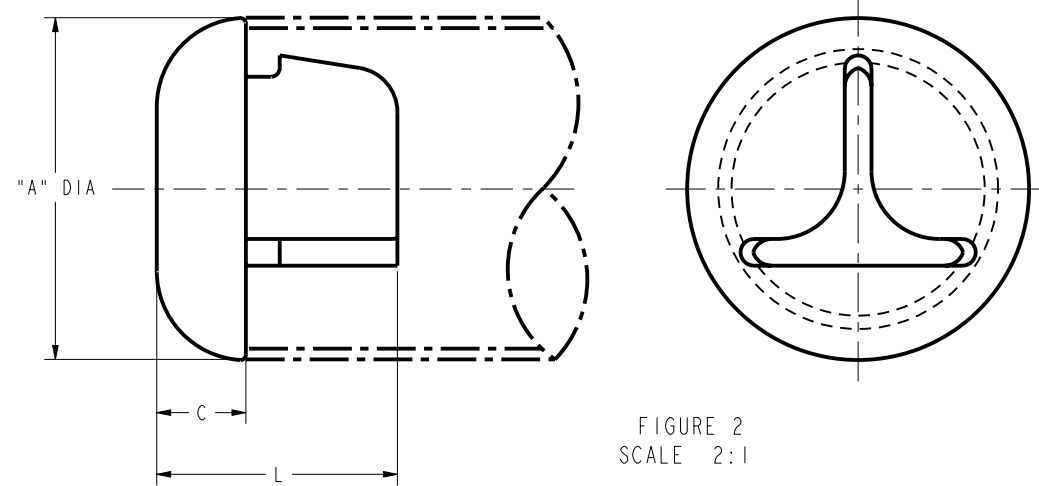


FIGURE 2
SCALE 2:1

REV: PEO200

TO ORDER BURNDY® PRODUCTS CALL		END CAPS - EHV	
UNITED STATES 1-800-346-4175 (LONDONDERRY, NH)		ITEM NO: --	
CANADA: 1-800-361-6975 (QUEBEC) 1-800-387-6487 (ALL OTHER PROVINCES)		CAT. NO: LB--A (SEE TABLE)	
FOR PRODUCT INFO: http://www.burndy.com		DRAWN BY: R LAVOIE 1/28/92	
		CHECKER: J HOSKER 04/30/10	
		DSN APPVL: R LAVOIE 05/05/10	
		MFG APPVL: T WAWRZYNIAK 05/04/10	
		QA APPVL: J HILLMAN 05/13/10	
		MKT APPVL: V TORRES 05/03/10	
		SCALE: 3:4	
		PROJ FAM: SUBSTATION	
		DRAWING NO	
		SC207593-01	
		SHEET 1 OF 1	
		REV	
		C	