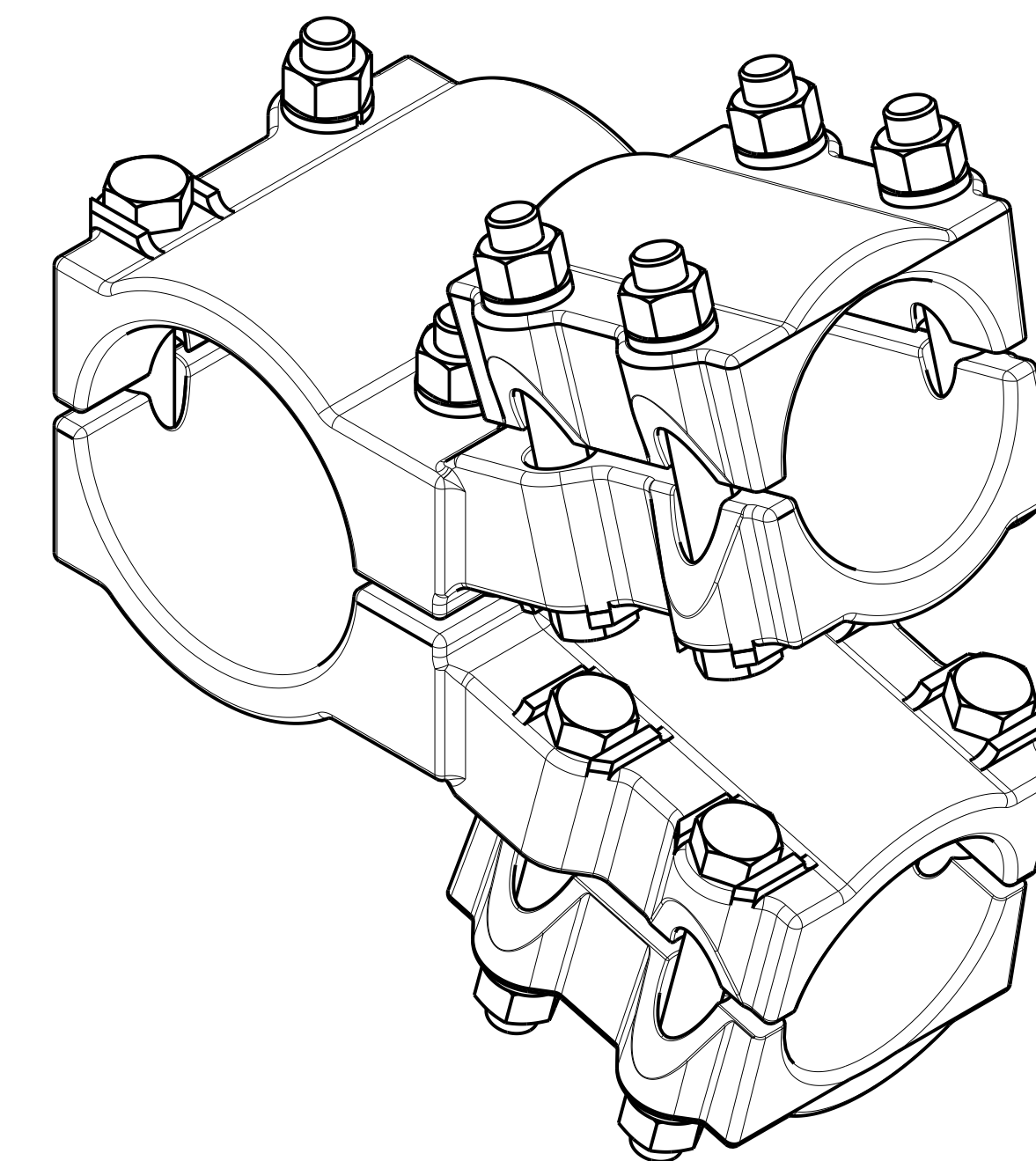
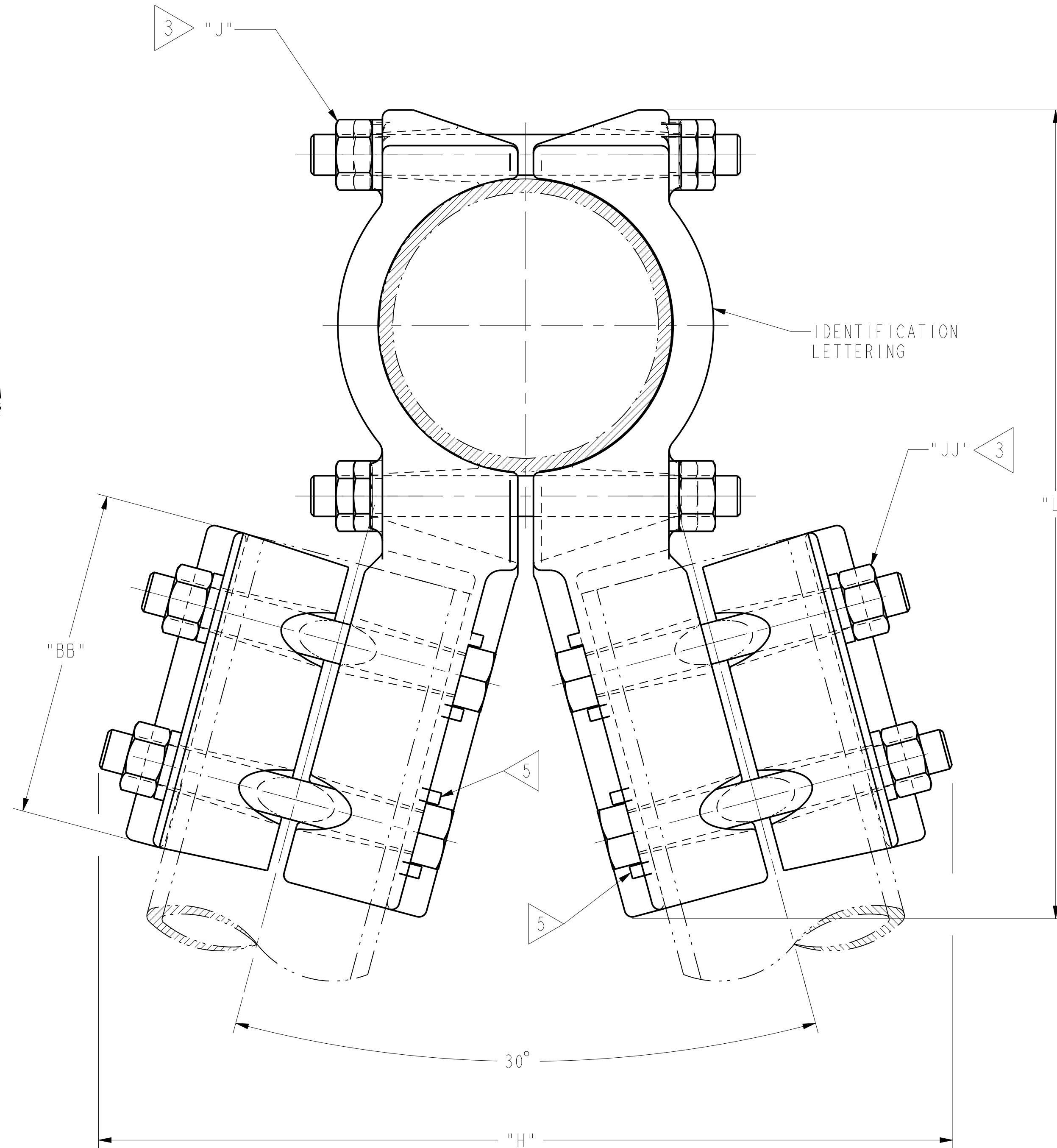
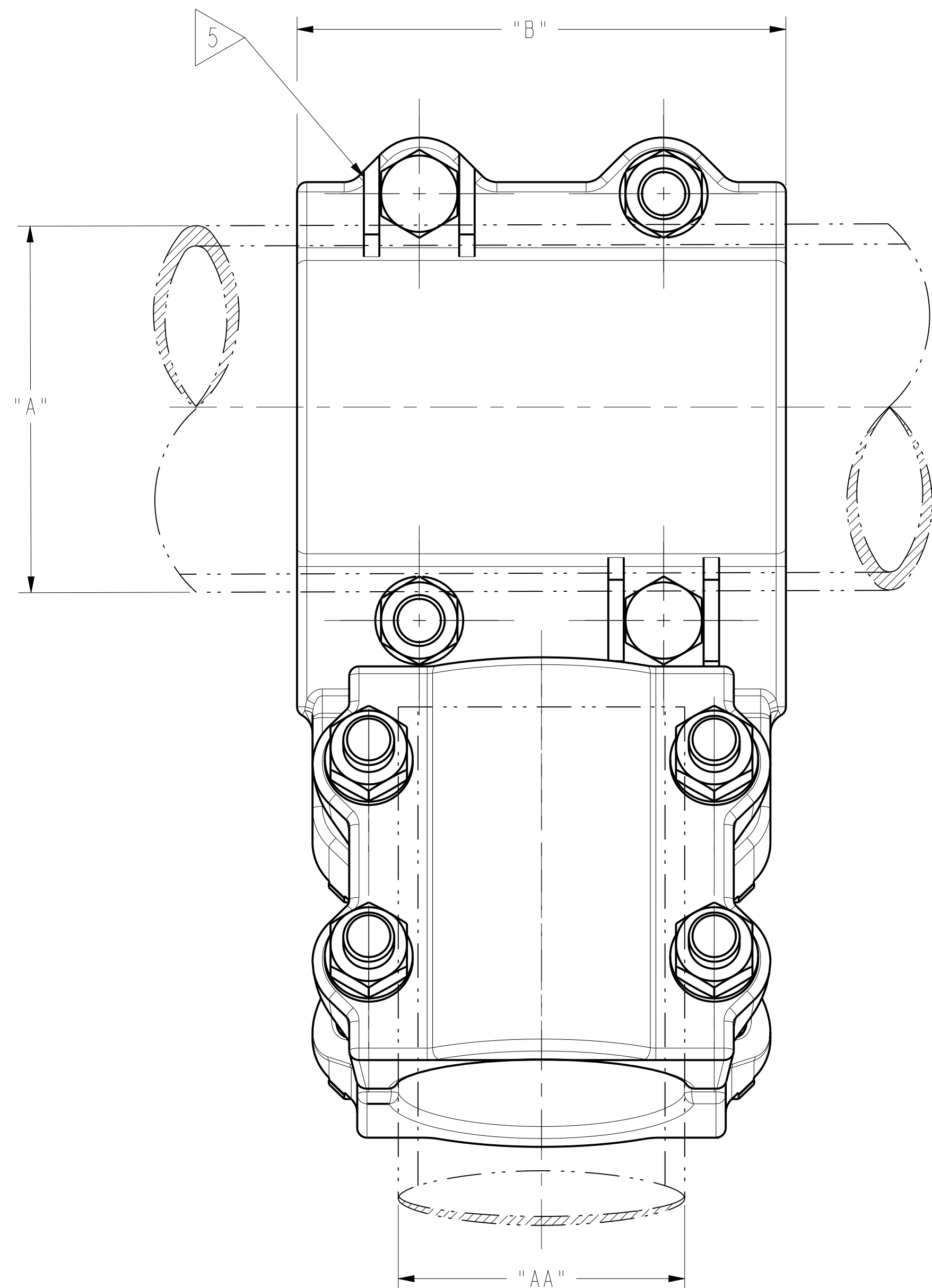


| REV | DATE | DESCRIPTION | ECO | BY | C'H'K. |
|-----|------------------------|------------------------------|-------|----|--------|
| B | 05/30/2016 05:30:00 AM | FOCUS REQUEST PIN FPN1605084 | 43978 | AV | MB |



SCALE 1:2
ISOMETRIC VIEW

NOTES:

- MATERIAL:
CONNECTOR : CAST ALUMINUM ALLOY.
HARDWARE : ALUMINUM ALLOY.
- DIMENSIONS IN BRACKETS [] DENOTES METRIC UNITS [SI UNITS] AND ARE ROUNDED TO THE NEAREST WHOLE NUMBER. UNLESS OTHERWISE SPECIFIED THESE UNITS SHALL BE USED FOR REFERENCE ONLY.
- RECOMMENDED TIGHTENING TORQUE:
480 IN-LBS [55 Nm] FOR 5/8-11 ALUMINUM HARDWARE.
300 IN-LBS [35 Nm] FOR 1/2-13 ALUMINUM HARDWARE.
- INSTALLATION METHOD:
ALL CONTACT SURFACES OF THE CONNECTORS SHALL BE AGGRESSIVELY BRUSHED, A MINIMUM OF 2 BRUSHES ON EACH SURFACE, USING A STAINLESS STEEL WIRE BRUSH FILLED WITH PENETROX™ A13. REMOVE GREASE FROM SURFACE USING A CLEAN AND DRY CLOTH (NO SOLVENTS). IMMEDIATELY APPLY A THIN LAYER OF PENETROX™ A13 ON ALL CONTACT SURFACES BEFORE ASSEMBLY.
- HEX BOLTS CAPTURED TO PREVENT TURNING DURING INSTALLATION.
- OPTIONAL HARDWARE VARIATIONS ARE AVAILABLE BY ADDING THE FOLLOWING SUFFIX TO THE CATALOG NUMBER.
EXAMPLE: AT22A20A30GS
GS = GALVANIZED STEEL
SS = STAINLESS STEEL
SSDN = STAINLESS STEEL BOLT AND LOCK WASHER
SILICON BRONZE NUT

REFERENCE : SC209582 FOR AT_A-A20

| | | | |
|--|--|----------------------|------------|
| TO ORDER BURNDY® PRODUCTS CALL UNITED STATES 1-800-346-4175 (LONDONDERRY, NH) CANADA: 1-800-361-6975 (QUEBEC) 1-800-387-6487 (ALL OTHER PROVINCES) FOR PRODUCT INFO: http://www.burndy.com | | ANGLED V CONNECTOR | |
| | | ITEM NO: -- | SCALE: 1:1 |
| CAT. NO: AT_A_A30 (TABLE) | | DRAWING NO: SC208096 | |
| DRAWN BY: S PANDIAN 01/07/10 | | REV: B | |
| CHECKER: R LAVOIE 01/20/10 | | PROJECT #: -- | |
| DSN APPVL: R LAVOIE 01/20/10 | | SIZE: D | |
| MFG APPVL: -- | | DOCUMENT TYPE: Sales | |
| GA APPVL: C ACKERMAN 01/22/10 | | REL LEVEL: Released | |
| MKT APPVL: D JEANNEAU 02/09/10 | | SHEET 1 OF 3 | |
| PROD FAM: SUBSTATION | | | |



| REV | DATE | DESCRIPTION | ECO | BY | C.H.K. |
|-----|------------------------|------------------------------|-------|----|--------|
| B | 05/30/2016 05:30:00 AM | FOCUS REQUEST PIN FPN1605084 | 43978 | AV | MB |

| ALUMINUM PIPE | | | | TAP ANGLE | CATALOG NUMBER | DIMENSIONS IN / [mm] | | | | | |
|---------------|-----------|--------|-----------|-----------|----------------|----------------------|------------|------------|-------------|-------------|-------------|
| RUN | | TAP | | | | B | BB | H | J | JJ | L |
| IPS | A | IPS | AA | | | | | | | | |
| 3/4" | 1.05 [27] | 3/4" | 1.05 [27] | 30° | AT14A14A30 | 3.25 [83] | 3.25 [83] | 7.56 [192] | 1/2-13 [13] | 1/2-13 [13] | 6.38 [162] |
| 1" | 1.32 [34] | 3/4" | 1.05 [27] | | AT15A14A30 | 3.50 [89] | 3.25 [83] | 7.92 [201] | | | 6.67 [169] |
| 1 1/4" | 1.66 [42] | 3/4" | 1.05 [27] | | AT16A14A30 | 3.75 [95] | 3.25 [83] | 7.94 [202] | | | 7.04 [179] |
| | | 1" | 1.32 [34] | | AT16A15A30 | | 3.50 [89] | 8.00 [203] | | | 7.29 [185] |
| 1 1/2" | 1.90 [48] | 3/4" | 1.05 [27] | | AT17A14A30 | 4.00 [102] | 3.25 [83] | 7.94 [202] | | | 7.39 [188] |
| | | 1" | 1.32 [34] | | AT17A15A30 | | 3.50 [89] | 8.00 [203] | | | 7.64 [194] |
| 2" | 2.38 [60] | 3/4" | 1.05 [27] | | AT18A14A30 | 4.00 [102] | 3.25 [83] | 7.94 [202] | | | 7.92 [201] |
| | | 1" | 1.32 [34] | | AT18A15A30 | | 3.50 [89] | 8.00 [203] | | | 8.18 [208] |
| | | 1 1/4" | 1.66 [42] | | AT18A16A30 | | 3.75 [95] | 8.60 [218] | | | 8.43 [214] |
| 2 1/2" | 2.88 [73] | 3/4" | 1.05 [27] | | AT19A14A30 | 4.00 [102] | 3.25 [83] | 8.06 [205] | | | 8.71 [221] |
| | | 1" | 1.32 [34] | | AT19A15A30 | | 3.50 [89] | 7.98 [203] | | | 8.72 [221] |
| | | 1 1/4" | 1.66 [42] | | AT19A16A30 | | 3.75 [95] | 8.60 [218] | | | 8.98 [228] |
| | | 1 1/2" | 1.90 [48] | | AT19A17A30 | | 4.00 [102] | 9.10 [231] | | | 9.24 [235] |
| | | 2" | 2.38 [60] | | AT19A18A30 | | 4.50 [114] | 4.25 [108] | | | 10.17 [258] |

REFERENCE : SC209582 FOR AT_A_A20

| | | | |
|--|--------------------------------|------------|-----|
| TO ORDER BURNDY® PRODUCTS CALL UNITED STATES 1-800-346-4175 (LONDONDERRY, NH) CANADA: 1-800-361-6975 (QUEBEC) 1-800-387-6487 (ALL OTHER PROVINCES) FOR PRODUCT INFO: http://www.burndy.com | ANGLED V CONNECTOR | | |
| | ITEM NO: -- | | |
| | CAT. NO: AT_A_A30 (TABLE) | | |
| | DRAWN BY: S PANDIAN 01/07/10 | | |
| | CHECKER: R LAVOIE 01/20/10 | | |
| | DSN APPVL: R LAVOIE 01/20/10 | | |
| | MFG APPVL: -- -- | | |
| | QA APPVL: C ACKERMAN 01/22/10 | | |
| | MKT APPVL: D JEANNEAU 02/09/10 | | |
| | PROD FAM: SUBSTATION | DRAWING NO | REV |
| PROJECT #: -- | SIZE | SC208096 | |
| DOCUMENT TYPE: Sales | D | B | |
| REL LEVEL: Released | SHEET 2 OF 3 | | |

D

C

B

A

D

C

B

A

REV: PEO200

| REV | DATE | DESCRIPTION | ECO | BY | C.H.K. |
|-----|------------------------|------------------------------|-------|----|--------|
| B | 05/30/2016 05:30:00 AM | FOCUS REQUEST PIN FPN1605084 | 43978 | AV | MB |

| ALUMINUM PIPE | | | | TAP ANGLE | CATALOG NUMBER | DIMENSIONS IN / [mm] | | | | | |
|---------------|---------------|------------|---------------|----------------|----------------|----------------------|----------------|----------------|----------------|----------------|----------------|
| RUN | | TAP | | | | B | BB | H | J | JJ | L |
| IPS | A | IPS | AA | | | | | | | | |
| 3" | 3.50 [89] | 1" | 1.32 [34] | 30° | AT20A15A30 | 4.00 [102] | 3.50 [89] | 8.12 [206] | 1/2-13 [13] | 1/2-13 [13] | 9.68 [246] |
| | | 1 1/4" | 1.66 [42] | | AT20A16A30 | | 3.75 [95] | 8.72 [221] | | | 9.94 [252] |
| | | 1 1/2" | 1.90 [48] | | AT20A17A30 | 5.00 [127] | 4.00 [102] | 9.58 [243] | 5/8-11 [16] | 10.38 [263] | |
| | | 2" | 2.38 [60] | | AT20A18A30 | | 4.25 [108] | 10.37 [263] | | 5/8-11 [16] | 10.56 [268] |
| 3 1/2" | 4.00 [102] | 1" | 1.32 [34] | | AT21A15A30 | 4.00 [102] | 3.50 [89] | 8.12 [206] | 1/2-13 [13] | 1/2-13 [13] | 10.20 [259] |
| | | 1 1/4" | 1.66 [42] | | AT21A16A30 | | 3.75 [95] | 8.72 [221] | | | 10.48 [266] |
| | | 1 1/2" | 1.90 [48] | | AT21A17A30 | | 4.00 [102] | 9.20 [234] | | | 11.07 [281] |
| | | 2" | 2.38 [60] | | AT21A18A30 | 5.50 [140] | 4.25 [108] | 10.43 [234] | 5/8-11 [16] | 5/8-11 [16] | 11.00 [279] |
| | | 2 1/2" | 2.88 [73] | | AT21A19A30 | | 4.50 [114] | 11.91 [303] | | | 11.32 [288] |
| 4" | 4.50 [114] | 1 1/2" | 1.90 [48] | | AT22A17A30 | 4.00 [102] | 4.00 [102] | 9.22 [234] | 1/2-13 [13] | 1/2-13 [13] | 11.23 [285] |
| | | 2" | 2.38 [60] | | AT22A18A30 | 6.00 [152] | 4.25 [108] | 10.21 [259] | 5/8-11 [16] | 5/8-11 [16] | 11.77 [285] |
| | | 2 1/2" | 2.88 [73] | | AT22A19A30 | | 4.50 [114] | 11.23 [285] | | | 11.87 [301] |
| | | 3" | 3.50 [89] | AT22A20A30 | 5.00 [127] | | 13.12 [333] | 12.42 [315] | | | |
| 5" | 5.56 [141] | 2 1/2" | 2.88 [73] | AT24A19A30 | 4.50 [114] | | 12.15 [309] | 13.32 [338] | | | |
| 5" | 5.56 [141] | 3" | 3.50 [89] | AT24A20A30 | 5.00 [127] | 13.21 [336] | 13.59 [345] | | | | |
| | | 6" | 6.62 [168] | 3" | 3.50 [89] | AT86A20A30 | 5.00 [127] | 13.21 [336] | 14.74 [374] | | |
| | | | | 3 1/2" | 4.00 [102] | AT86A21A30 | 5.50 [140] | 14.05 [357] | 15.16 [385] | | |
| 4" | 4.50 [114] | AT86A22A30 | 6.00 [152] | 15.03 [382] | 15.70 [399] | | | | | | |

REFERENCE : SC209582 FOR AT_A_A20

| | | | |
|--|--------------------------------|--------------|------------|
| TO ORDER BURNDY® PRODUCTS CALL UNITED STATES 1-800-346-4175 (LONDONDERRY, NH) CANADA: 1-800-361-6975 (QUEBEC) 1-800-387-6487 (ALL OTHER PROVINCES) FOR PRODUCT INFO: http://www.burndy.com | ANGLED V CONNECTOR | | |
| | ITEM NO: -- | | |
| | CAT. NO: AT_A_A30 (TABLE) | | |
| | DRAWN BY: S PANDIAN 01/07/10 | | |
| | CHECKER: R LAVOIE 01/20/10 | | |
| | DSN APPVL: R LAVOIE 01/20/10 | | |
| | MFG APPVL: -- | | |
| | QA APPVL: C ACKERMAN 01/22/10 | | |
| | MKT APPVL: D JEANNEAU 02/09/10 | | |
| | PROD FAM: SUBSTATION | DRAWING NO | SCALE: 1:2 |
| PROJECT #: -- | SIZE | SC208096 | B |
| DOCUMENT TYPE: Sales | D | SHEET 3 OF 3 | |
| REL LEVEL: Released | | | |