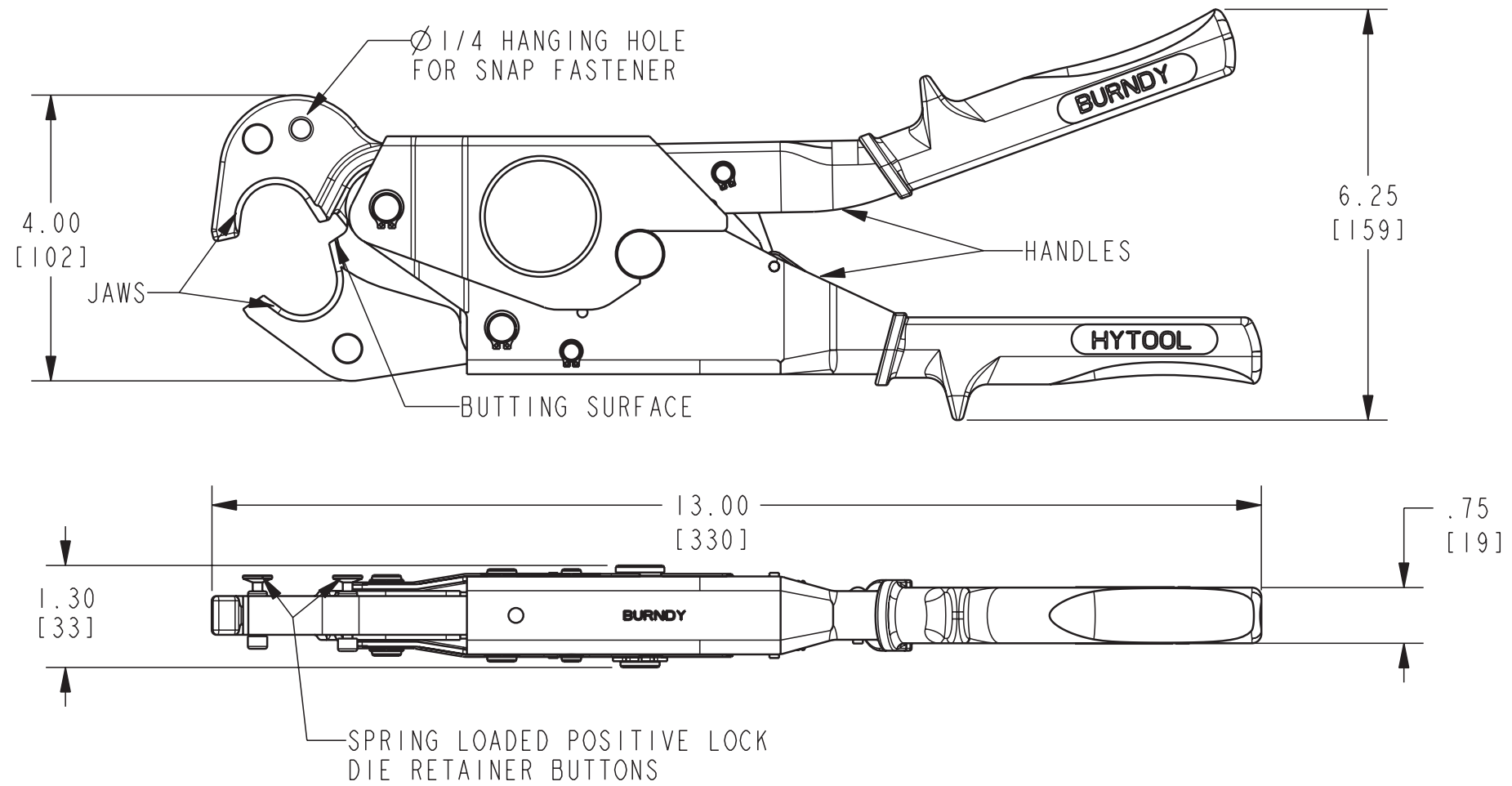


REV.	DATE	DESCRIPTION	ECO	BY	C'H'K.
C	5/26/2009 7:37:00 AM	FIXED CATALOG NUMBER FOR LEATHER HOLDER FIXED 6.25 AND 13.00 DIMENSIONS	18106	TRF	RR



ACCESSORIES
LEATHER HOLDER CATALOG NUMBER, PT4583 * TOP GRAIN COWHIDE SADDLE LEATHER. * LARGE GROMMET.
METAL CARRYING CASE WITH DIE TRAY CATALOG NUMBER, OUR840-WC * HOLDS ONE (1) OUR840. * UP TO ELEVEN (11) "X" DIES. NOT INCLUDED.
CUTTER DIE CATALOG NUMBER, W-28K * PERMITS USE OF OUR840 TOOL AS A CABLE CUTTER. * CONDUCTOR RANGE: #4-4/0 ASCR, ALUMINUM AND COPPER.

OUR840 HYTOOL™

SPECIFICATIONS:
 MAXIMUM FORCE DEVELOPED - 8000 LBS.
 MAXIMUM FORCE ON HANDLES - 75 LBS.
 WEIGHT: 2 LBS. 14 OZ.

JAWS:
 HIGH STRENGTH STEEL, WITH SPRING-ACTION DIE BUTTONS AND PERMANENT D3 DIE GROOVE ACCOMMODATES ALL BURNDY "X" DIES AND SELECTED "W" DIES FOR A WIDE RANGE OF APPLICATIONS. SEE TOOL OPERATING MANUAL AND DIE USAGE LABEL ON TOOL FOR DETAILS.

HANDLES:
 SPRING LOADED, ONE PIECE STEEL WITH COMFORT GRIP DESIGN AND ERGONOMIC HANDLE ENDS PROVIDES A POSITIVE, ANTI-SLIP GRIP

TYPE OF MECHANISM:
 HAND DRIVEN FULL CYCLE RATCHET/CAM AND TOGGLE WITH CAM COMPENSATOR. FIRST FEW STROKES GRIP CONNECTOR. POSITIVE RATCHET HOLDS CONNECTOR UNTIL CRIMP IS COMPLETE.

"MINI-CLICK" MODE PROVIDES EASIER OPERATION WHEN HIGH HAND FORCE IS NEEDED.

PROPER CRIMPS ARE MADE WITH BUTTING SURFACE INSPECTION AND FULL CYCLE RATCHET MECHANISM.

SELECTED APPLICATIONS
 RANGE: ALUMINUM #8 AWG. TO 4/0
 COPPER #8AWG. TO 4/0 KCMIL.

NOTE:

1. DIMENSIONS IN BRACKETS [] ARE IN MILLIMETERS ROUNDED OFF TO THE NEAREST MILLIMETER AND ARE FOR REFERENCE ONLY.

ACCOMMODATES:

- * 5/8" SERVICE ENTRANCE SLEEVES
- * INSULINK™ TYPE "ES" CONNECTORS, #10-1/0 AWG.
- * LINKIT™ TYPE "YSU" (BARE), #8-1/0 AWG.
- * HYDENT™ COPPER TERMINALS & SPLICES, #8-250 KCMIL.
- * HYDENT™ ALUMINUM TERMINALS & SPLICES, #8-4/0 AWG.
- * HYSPLICE™ FOR COPPER, COPPERWELD AND AAC CONDUCTORS.
- * UNISPLICE™ FOR AAC, ACSR AND AAAC CONDUCTORS.
- * HYPLUG™ HYSEAL™ & HYSEALPLUG™ CONNECTORS.
- * STACKING HYLUG AND DISCONNECTABLE TERMINALS.

REV: PE0200

TO ORDER BURNDY® PRODUCTS CALL		HYTOOL™, ONE HAND TOOL	
UNITED STATES: 1-800-346-4175 (LONDONDERRY, NH)		ITEM NO: 471007	CAT. NO: OUR840
CANADA: 1-800-361-6975 (QUEBEC) 1-800-387-6487 (ALL OTHER PROVINCES)		DRAWN BY: KJL 01/27/2000	CHECKER: MC 02/02/2000
FOR PRODUCT INFO: http://www.burndy.com		DSN APPVL: J AYER 02/13/2003	MFG APPVL: S GONYAW 02/13/2003
		QA APPVL: J BRODEUR 02/19/2003	MKT APPVL: R POIRIER 02/13/2003
		PROJ FAM: TOOLS, MECHANICAL	DRAWING NO: SC210647-01
		PROJECT #: --	SIZE: B
		DOCUMENT TYPE: Production	REL LEVEL: Released
		SCALE: 1:2	REV: C
		SHEET 1 OF 1	