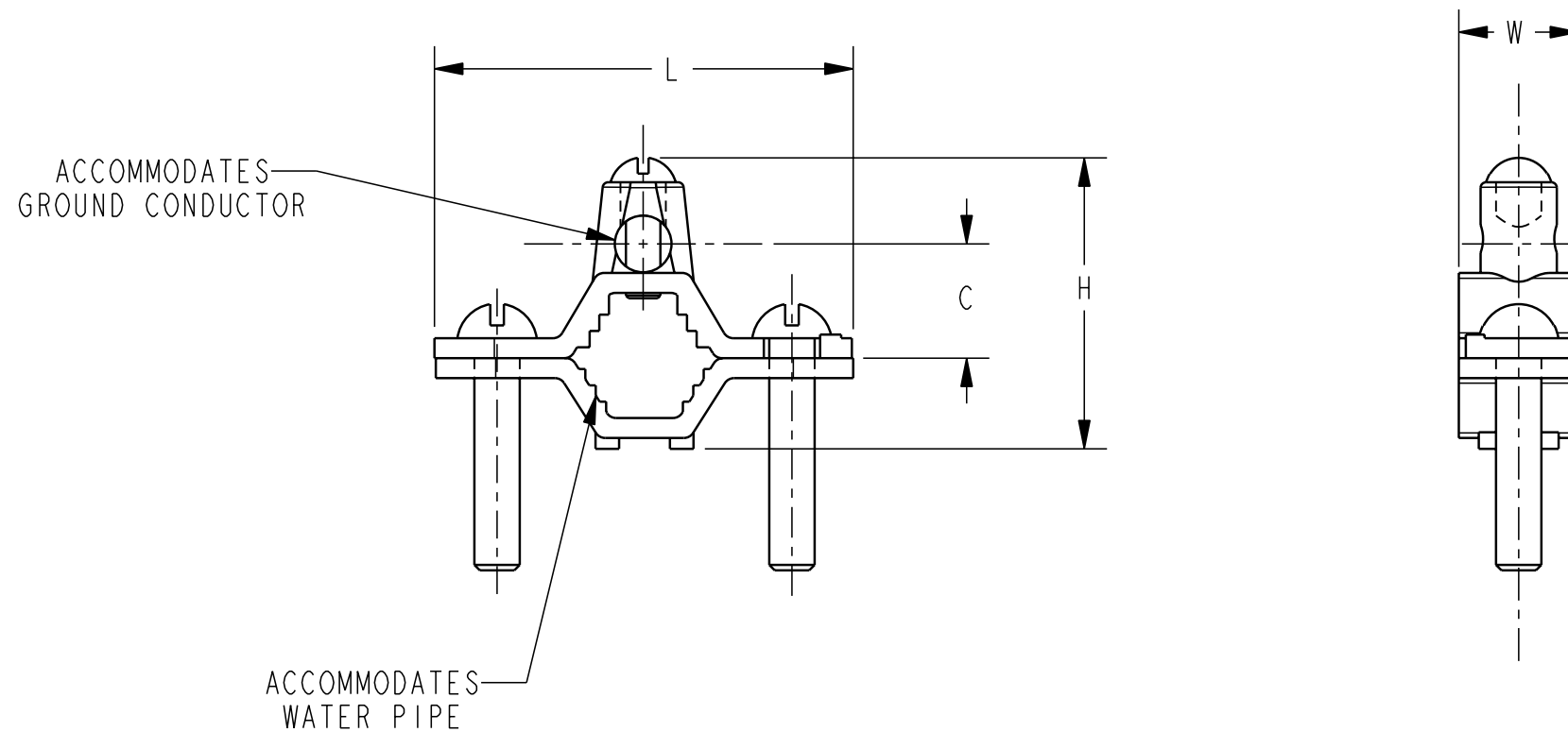


CATALOG NO.	ACCOMMODATES CONDUCTOR RANGE		REFERENCE DIMENSIONS				RECOMMENDED SCREW TORQUE " INCH POUNDS "	
	WATER PIPE	GROUND	H	L	W	C	PIPE CLAMP	WIRE CLAMP
CZ-11	1/2-1 [13-25]	AL	1.56 [40]	2.25 [56]	.63 [16]	.63 [16]	50 LB-IN	50 LB-IN
		8-2						

REV.	DATE	DESCRIPTION	ECO	BY	C'H'K.
B	5/26/2009 11:41:00 AM	ADD 'AL' AND 'CU' TO TABLE FOR GROUND PER W/U.	17719	RLB	PRL



NOTES:

- MATERIAL:
BODY: DIE CAST ZINC
HARDWARE: STEEL, ZINC PLATED.
- CONNECTORS ARE UL LISTED TO STANDARD UL467, GROUNDING AND BONDING EQUIPMENT. FOR INDICATED CONDUCTOR RANGE.
- CONNECTORS ARE CSA CERTIFIED TO STANDARD C22.2, NO. 41, GROUNDING AND BONDING EQUIPMENT FOR INDICATED CONDUCTOR RANGE.
- DIMENSIONS IN BRACKETS [] ARE IN MILLIMETERS ROUNDED TO THE NEAREST WHOLE NUMBER. UNLESS OTHERWISE NOTED, AND ARE FOR REFERENCE ONLY.
- TO ACCOMMODATE THE SMALLER WATER PIPE SIZES, SOME CONNECTORS REQUIRE THE INSTALLER TO REVERSE THE BOTTOM SADDLE PORTION OF THE PIPE CLAMPING ELEMENT.

TO ORDER BURNDY® PRODUCTS CALL
 UNITED STATES:
 1-800-346-4175 (LONDONDERRY, NH)
 CANADA:
 1-800-361-6975 (QUEBEC)
 1-800-387-6487 (ALL OTHER PROVINCES)
 FOR PRODUCT INFO: <http://www.burndy.com>

GRD. CLAMPS, RIGID CONDUIT W/STRAP-WATER PIPE	
ITEM NO: 10002993	
CAT. NO: SEE TABLE	
DRAWN BY: D. DOBRINSKI	01/09/97
CHECKER: D.D.	04/17/97
DSN APPVL: K. MELLO	04/18/97
MFG APPVL: --	--
QA APPVL: D. VARIO	04/23/97
MKT APPVL: P. WERTHMAN	04/23/97
PROD FAM: --	SCALE: 1:1
PROJECT #: --	DRAWING NO
DOCUMENT TYPE: --	REV
REL LEVEL: Released	SIZE
	B
	SC210660-01
	SHEET 1 OF 1



REV: PE0200