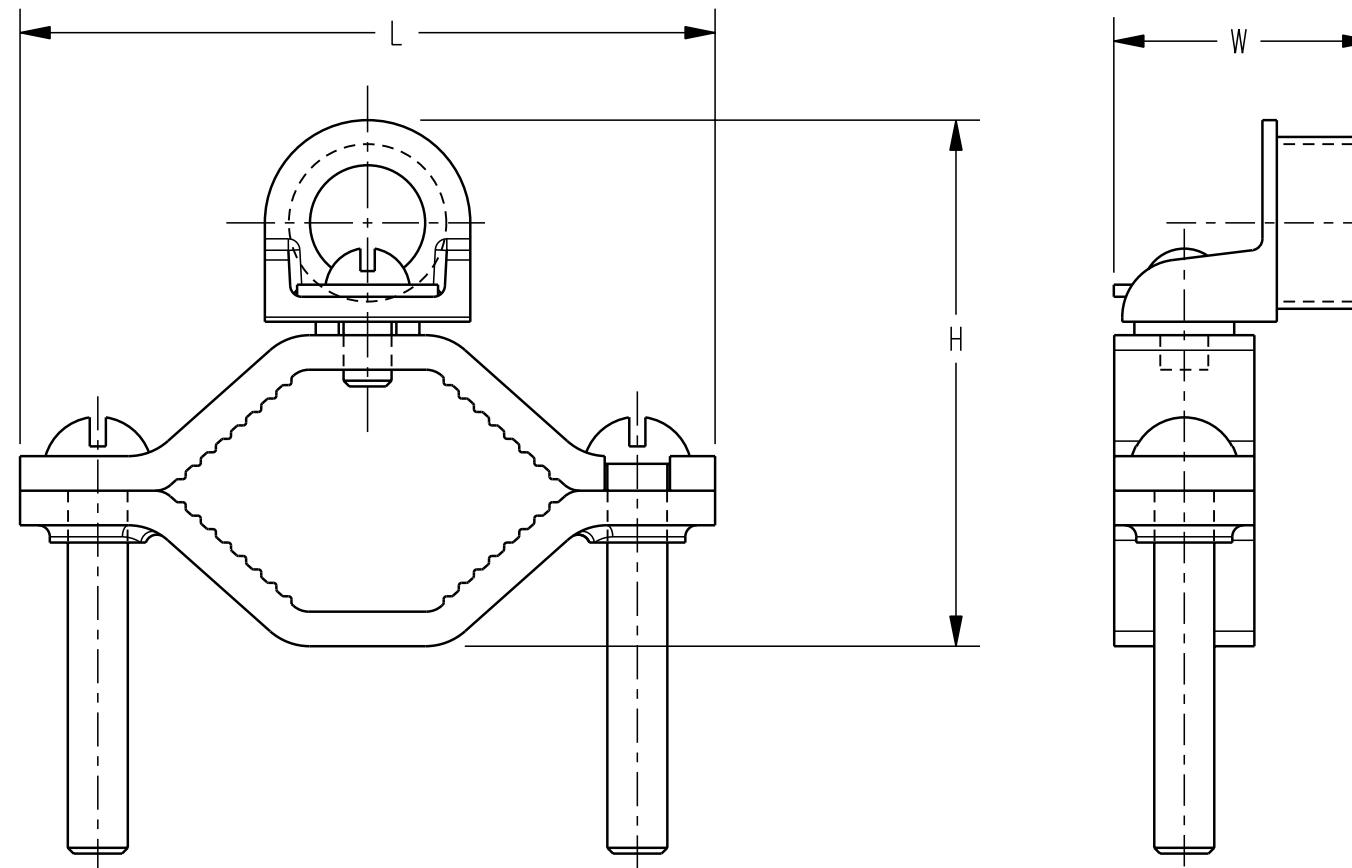


CATALOG NO.	ACCOMMODATES CONDUCTOR RANGE			REFERENCE DIMENSIONS				RECOMMENDED SCREW TORQUE "INCH POUNDS"	
	WATER PIPE	GROUND	HUB SIZE	H	L	W	C	PIPE CLAMP	WIRE CLAMP
C-61	1/2-1 [13-25]	6 SOL MAX.	1/2 [13]	2.07 [53]	2.34 [59]	1.34 [34]	1.06 [27]	50 LB-IN	50 LB-IN
C-66	1 1/4-2 [32-51]			2.69 [68]	3.62 [92]	1.34 [34]	1.40 [36]		

REV.	DATE	DESCRIPTION	ECO	BY	C'H'K.
A	12/10/2008 11:31:00 AM	ADD NOTE 5 TO DRAWING PER M/U.	17166	RLB	JP



NOTES:

- MATERIAL:
BODY: SOLID CAST BRONZE.
HARDWARE: STEEL, ZINC PLATED.
- CONNECTORS ARE UL LISTED TO STANDARD UL467, GROUNDING AND BONDING EQUIPMENT. FOR INDICATED CONDUCTOR RANGE.
- CONNECTORS ARE CSA CERTIFIED TO STANDARD C22.2, NO. 41, GROUNDING AND BONDING EQUIPMENT FOR INDICATED CONDUCTOR RANGE.
- DIMENSIONS IN BRACKETS [] ARE IN MILLIMETERS ROUNDED TO THE NEAREST WHOLE NUMBER. UNLESS OTHERWISE NOTED, AND ARE FOR REFERENCE ONLY.
- TO ACCOMMODATE THE SMALLER WATER PIPE SIZES, SOME CONNECTORS REQUIRE THE INSTALLER TO REVERSE THE BOTTOM SADDLE PORTION OF THE PIPE CLAMPING ELEMENT.

TO ORDER BURNDY® PRODUCTS CALL		GRD CLAMPS, RIGID CONDUIT-WATER PIPE														
UNITED STATES: 1-800-346-4175 (LONDONDERRY, NH)		ITEM NO: 10002995														
CANADA: 1-800-361-6975 (QUEBEC) 1-800-387-6487 (ALL OTHER PROVINCES)		CAT. NO: SEE TABLE														
FOR PRODUCT INFO: http://www.fciconnect.com		<table border="1"> <tr> <td>DRAWN BY: D. DOBRINSKI</td> <td>01/15/97</td> <td rowspan="6" style="text-align: center;">BURNDY PRODUCTS</td> </tr> <tr> <td>CHECKER: D.D.</td> <td>04/17/97</td> </tr> <tr> <td>DSN APPVL: K. MELLO</td> <td>04/18/97</td> </tr> <tr> <td>MFG APPVL: --</td> <td>--</td> </tr> <tr> <td>QA APPVL: D. VARIO</td> <td>04/23/97</td> </tr> <tr> <td>MKT APPVL: P. WERTHMAN</td> <td>04/23/97</td> </tr> </table>		DRAWN BY: D. DOBRINSKI	01/15/97	BURNDY PRODUCTS	CHECKER: D.D.	04/17/97	DSN APPVL: K. MELLO	04/18/97	MFG APPVL: --	--	QA APPVL: D. VARIO	04/23/97	MKT APPVL: P. WERTHMAN	04/23/97
DRAWN BY: D. DOBRINSKI	01/15/97	BURNDY PRODUCTS														
CHECKER: D.D.	04/17/97															
DSN APPVL: K. MELLO	04/18/97															
MFG APPVL: --	--															
QA APPVL: D. VARIO	04/23/97															
MKT APPVL: P. WERTHMAN	04/23/97															
SCALE: 1:1		DRAWING NO														
PROJECT #:		SIZE														
DOCUMENT TYPE:		SC210664-01														
REL LEVEL: Released		SHEET 1 OF 1														

REV: PE0200