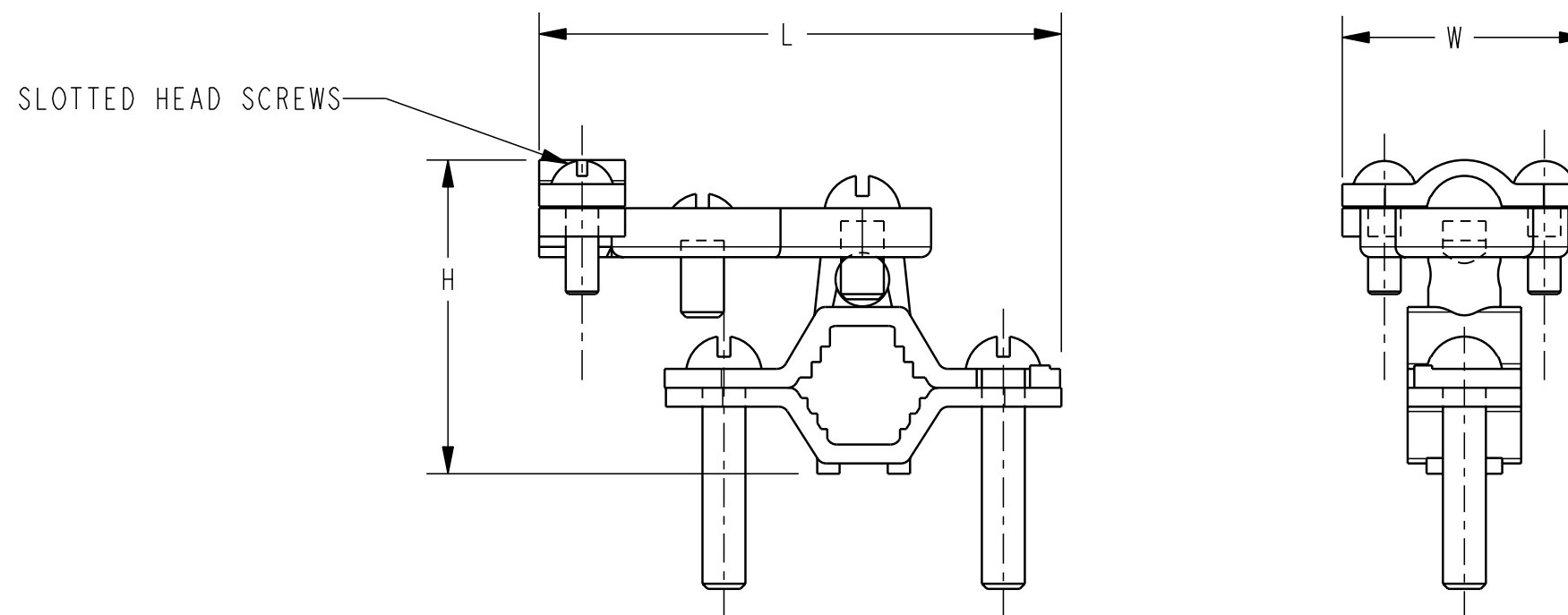


CATALOG NO.	ACCOMMODATES CONDUCTOR RANGE			REFERENCE DIMENSIONS			RECOMMENDED SCREW TORQUE " INCH POUNDS "	
	WATER PIPE	GROUND	HUB SIZE	H	L	W	PIPE CLAMP	WIRE CLAMP
C-11JPT	1/2-1 [13-25]	10 - 6 SOL	1/2 [13]	2.07 [53]	3.19 [81]	2.13 [54]	50 LB-IN	50 LB-IN
C-22JPT	1 1/4-2 [32-51]			2.70 [69]	3.83 [97]			
C-4JPT	2 1/2-4 [64-102]			4.39 [112]	5.15 [131]			

REV.	DATE	DESCRIPTION	ECO	BY	C'H'K.
A	12/11/2008 8:49:00 AM	ADD NOTE 5 TO THE DRAWING PER M/U.	17166	RLB	JP



NOTES:

- MATERIAL:
BODY: SOLID CAST BRONZE.
HARDWARE: STEEL, ZINC PLATED.
- CONNECTORS ARE UL LISTED TO STANDARD UL467, GROUNDING AND BONDING EQUIPMENT. FOR INDICATED CONDUCTOR RANGE.
- CONNECTORS ARE CSA CERTIFIED TO STANDARD C22.2, NO. 41, GROUNDING AND BONDING EQUIPMENT FOR INDICATED CONDUCTOR RANGE.
- DIMENSIONS IN BRACKETS [] ARE IN MILLIMETERS ROUNDED TO THE NEAREST WHOLE NUMBER. UNLESS OTHERWISE NOTED, AND ARE FOR REFERENCE ONLY.
- TO ACCOMMODATE THE SMALLER WATER PIPE SIZES, SOME CONNECTORS REQUIRE THE INSTALLER TO REVERSE THE BOTTOM SADDLE PORTION OF THE PIPE CLAMPING ELEMENT.

TO ORDER BURNDY® PRODUCTS CALL		GRD CLAMPS, RIGID CONDUIT & EMT W/360° SWING HUB-WATER PIPE	
UNITED STATES:		ITEM NO: 10002997	
1-800-346-4175 (LONDONDERRY, NH)		CAT. NO: SEE TABLE	
CANADA:		DRAWN BY: D. DOBRINSKI 01/16/97	
1-800-361-6975 (QUEBEC)		CHECKER: D.D. 04/17/97	
1-800-387-6487 (ALL OTHER PROVINCES)		DSN APPVL: K. MELLO 04/18/97	
FOR PRODUCT INFO: http://www.fciconnect.com		MFG APPVL: -- --	
		QA APPVL: D. VARIO 04/23/97	
		MKT APPVL: P. WERTHMAN 04/23/97	
		SCALE: 1:1	
		DRAWING NO	
		REV	
		PROJECT #: --	
		SIZE	
		B	
		DOCUMENT TYPE: --	
		SC210672-01	
		SHEET 1 OF 1	
		REL LEVEL: Released	
		A	

REV: PE0200