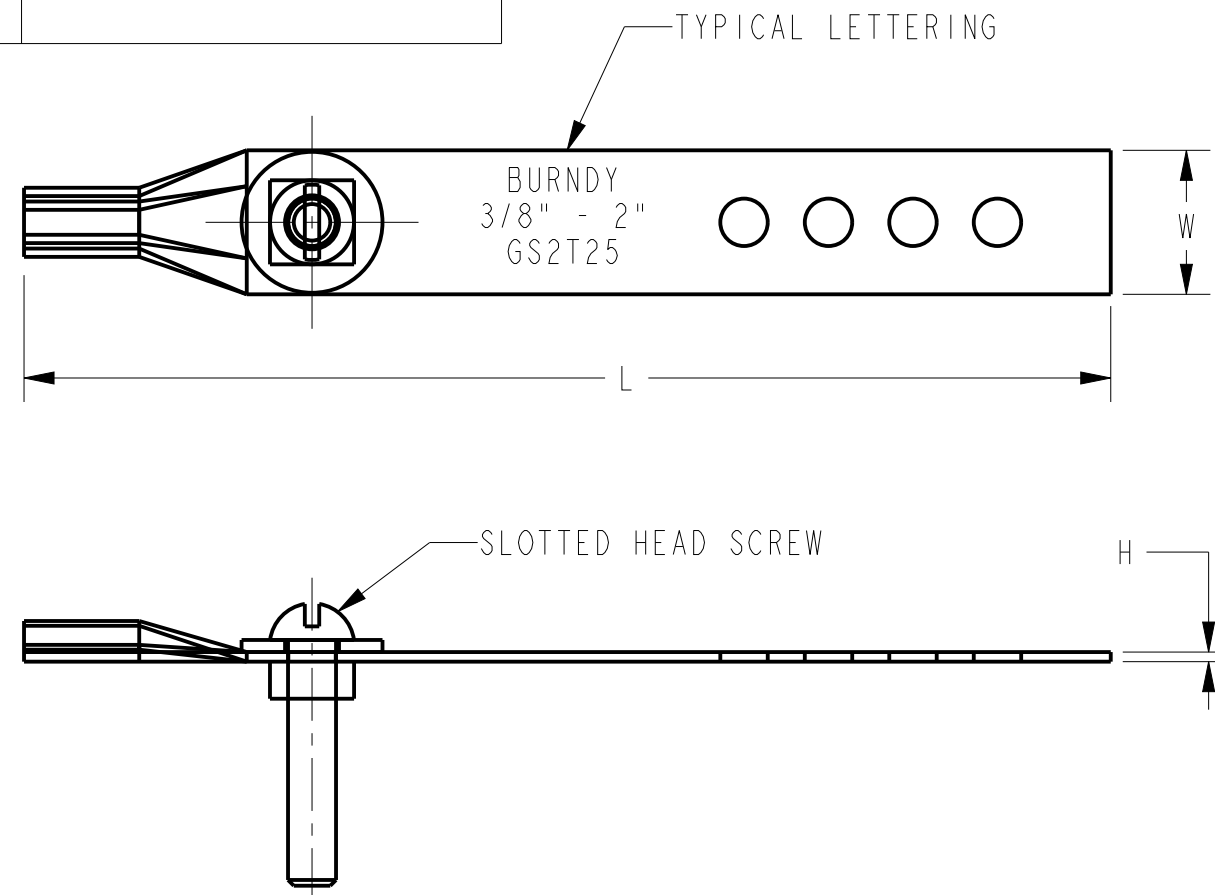


CATALOG NO.	ACCOMMODATES WATER PIPE	REFERENCE DIMENSIONS			RECOMMENDED SCREW TORQUE " INCH POUNDS "
		H	L	W	
GSIT50	3/8-1	.050 [1]	5.61	.75 [19]	50 LB-IN
GSIT25	[10-25]	.025 [1]	[142]		
GS2T50	3/8-2	.050 [1]	9.38		
GS2T25	[10-51]	.025 [1]	[238]		
GS3T50	3/8-3	.050 [1]	13.20		
GS3T25	[10-76]	.025 [1]	[335]		
GS4T50	3/8-4	.050 [1]	17.00		
GS4T25	[10-102]	.025 [1]	[432]		
GS5T50	3/8-5	.050 [1]	20.80		
GS5T25	[10-127]	.025 [1]	[528]		

REV.	DATE	DESCRIPTION	ECO	BY	C'H'K.
B	06/02/2014 00:00:00 AM	DRAWING RELEASED	36346	VSK	MB



NOTES:

- MATERIAL:
BODY: ETP COPPER STRIP.
HARDWARE: STEEL, ZINC PLATED.
- DIMENSIONS IN BRACKETS [] ARE IN MILLIMETERS ROUNDED TO THE NEAREST WHOLE NUMBER. UNLESS OTHERWISE NOTED, AND ARE FOR REFERENCE ONLY.

TO ORDER BURNDY® PRODUCTS CALL
 UNITED STATES:
 1-800-346-4175 (LONDONDERRY, NH)
 CANADA:
 1-800-361-6975 (QUEBEC)
 1-800-387-6487 (ALL OTHER PROVINCES)
 FOR PRODUCT INFO: <http://www.burndy.com>

"GROUND STRAPS, ADJUSTABLE"	
ITEM NO:	10002999
CAT. NO:	SEE TABLE ABOVE
DRAWN BY:	D. DOBRINSKI 01/16/97
CHECKER:	D.D. 04/17/97
DSN APPVL:	K. MELLO 04/18/97
MFG APPVL:	--
QA APPVL:	D. VARIO 04/23/97
MKT APPVL:	P. WERTHMAN 04/23/97
PROD FAM:	--
PROJECT #:	STP11853
DOCUMENT TYPE:	Sales
REL LEVEL:	Released



SCALE:	DRAWING NO	REV
1:1	SC210686-01	B
	SHEET 1 OF 1	

REV: PE0200