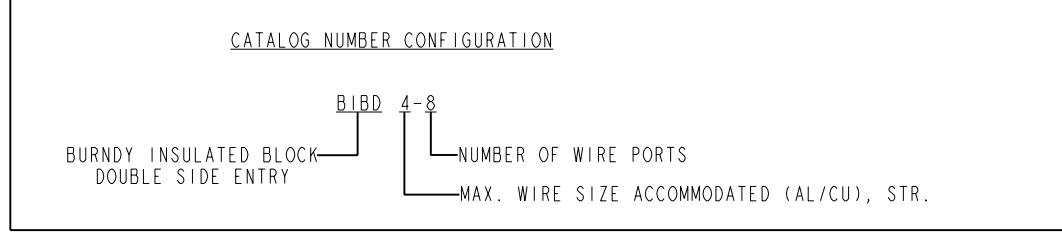
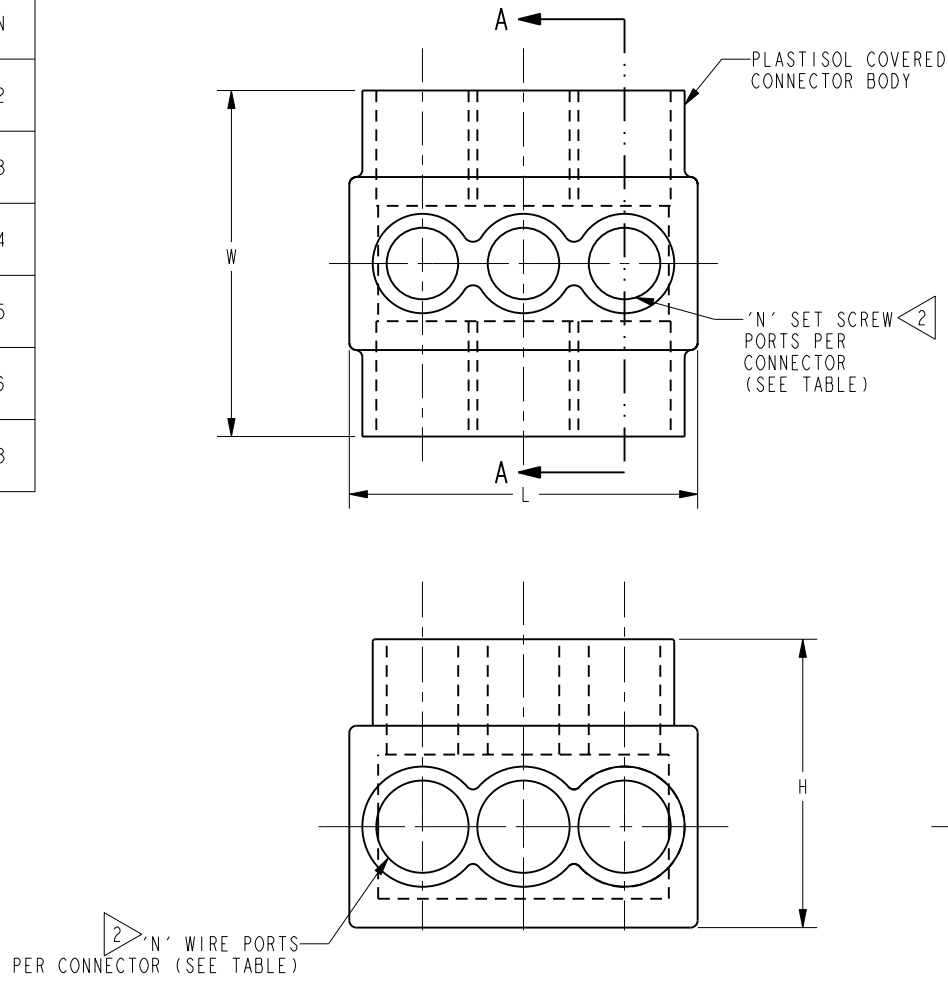


DRAWING NO. SC210991		4	3	2	1	
CATALOG NO.	WIRE RANGE (AWG/kcmil)	L	W	H	HEX KEY	N
BIBD4-2	#14-#4	1.08 [27]	1.50 [38]	1.25 [32]	1/8	2
BIBD4-3	#14-#4	1.51 [38]	1.50 [38]	1.25 [32]	1/8	3
BIBD4-4	#14-#4	1.95 [50]	1.50 [38]	1.25 [32]	1/8	4
BIBD4-5	#14-#4	2.39 [61]	1.50 [38]	1.25 [32]	1/8	5
BIBD4-6	#14-#4	2.83 [72]	1.50 [38]	1.25 [32]	1/8	6
BIBD4-8	#14-#4	3.71 [94]	1.50 [38]	1.25 [32]	1/8	8

FEATURES	BENEFITS
PLASTISOL COVERED AL6061-T6 BODY	SAVES TIME, LOWERS INSTALLATION COSTS, ELIMINATES TAPING.
CLEAR PLASTISOL	ALLOWS VISUAL CONFIRMATION THAT CONDUCTOR IS PROPERLY INSERTED.
OXIDE-INHIBITOR IS PRE-INSTALLED	INHIBITS MOISTURE AND CONTAMINANTS FROM ENTERING THE CONTACT AREA
RANGE-TAKING	REDUCES THE NUMBER OF CONNECTORS CARRIED IN INVENTORY

- NOTES:
- CONNECTORS ARE SUPPLIED INDIVIDUALLY LABELED. LABEL INFORMATION INCLUDES CATALOG NUMBER, QUANTITY, AND BARCODE.
 - END CAPS INSTALLED ON WIRE PORTS AND SET SCREW PORTS. PER CONNECTOR (SEE TABLE)
 - ALL CONNECTORS UL LISTED, CSA CERTIFIED FOR AL9CU, 90°C APPLICATIONS.
 - DIMENSIONS IN BRACKETS [] ARE IN MILLIMETERS ROUNDED OFF TO THE NEAREST MILLIMETER, UNLESS OTHERWISE NOTED, AND ARE FOR REFERENCE ONLY.
 - TORQUE SET SCREWS TO 45 IN/LB



REV	DATE	DESCRIPTION	ECO	BY	C'H'K.
B	12/13/2012 00:00:00 AM	TORQUE INFORMATION ADDED	29767	RG	MA



TO ORDER BURNDY® PRODUCTS CALL

UNITED STATES:
1-800-346-4175 (LONDONDERRY, NH)

CANADA:
1-800-361-6975 (QUEBEC)
1-800-387-6487 (ALL OTHER PROVINCES)

FOR PRODUCT INFO: <http://www.burndy.com>

UNITAP™- PLASTISOL COVERED WIRE CONNECTORS

ITEM NO: N/A

CAT. NO: BIBD4-SERIES

DRAWN BY: J AYER 3/21/97

CHECKER: C CHADBOURNE 7/21/97

DSN APPVL: C CHADBOURNE 7/21/97

MFG APPVL: --

QA APPVL: J BRODEUR 7/28/97

MKT APPVL: P WERTHMAN 7/24/97

SCALE: NTS

PROD FAM: --

PROJECT #: --

DOCUMENT TYPE: Sales

REL LEVEL: Released

DRAWING NO: SC210991

REV: B

SHEET 4 OF 15

REV: PE0200