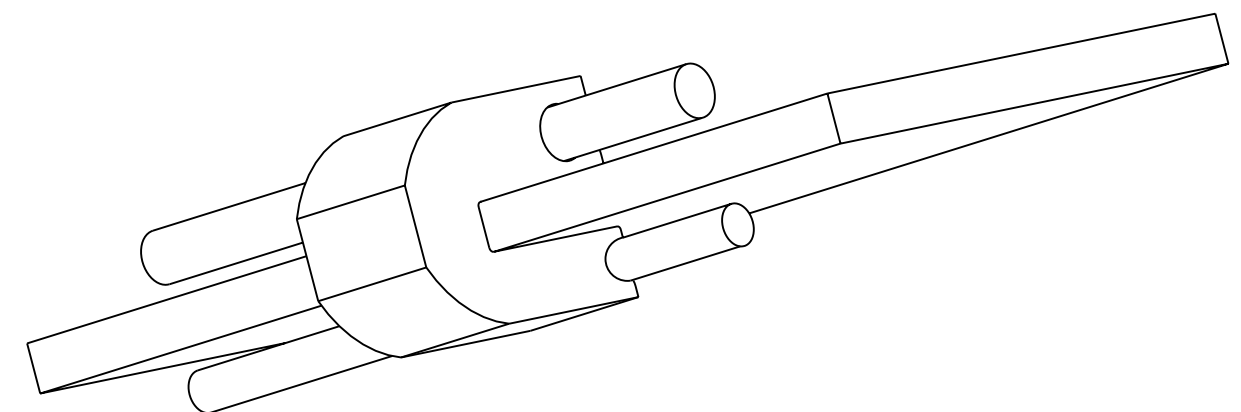
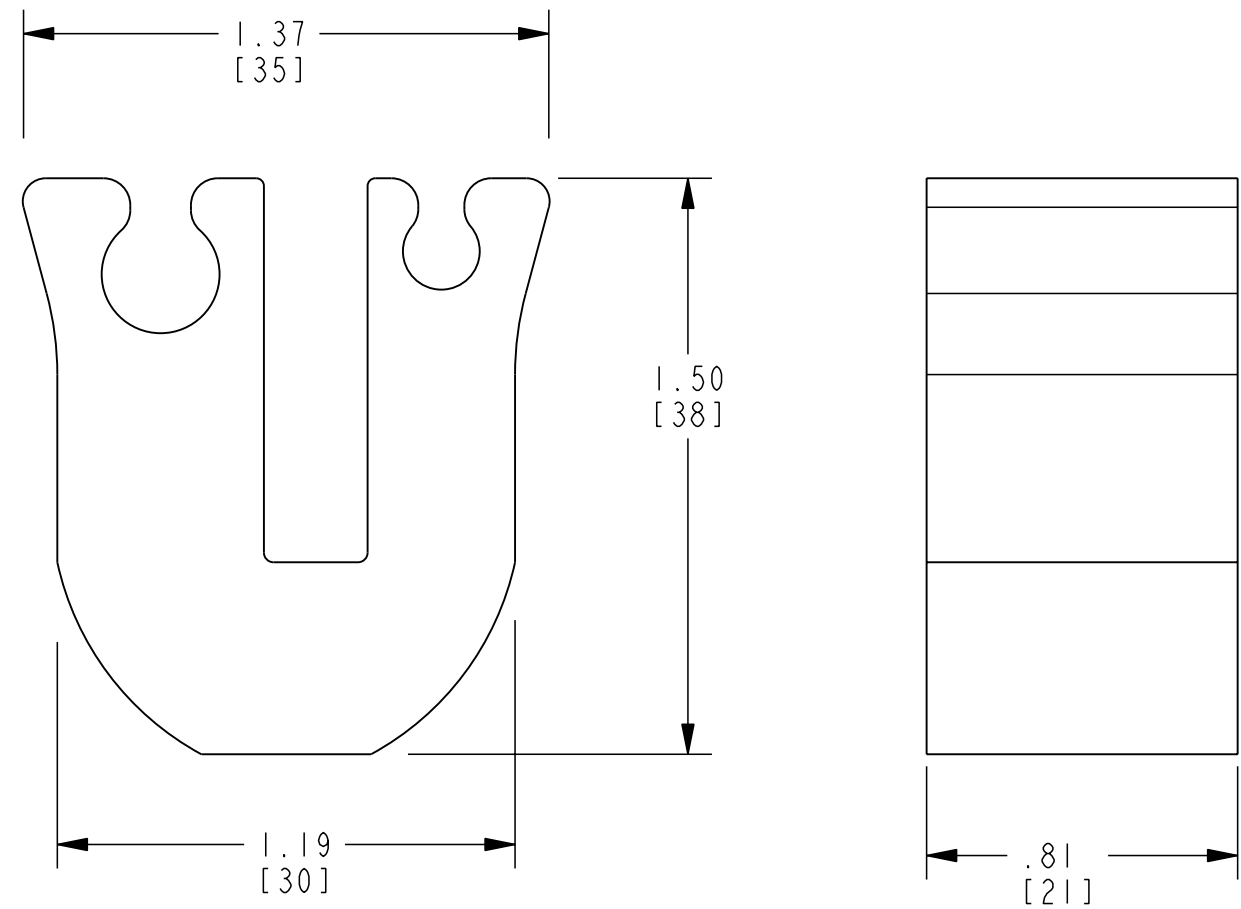


REV.	DATE	DESCRIPTION	ECO	BY	C'H'K.
1	1/1/2001 12:00:00 AM		--	--	--



INSTALLED
SCALE 1:1

NOTES:

1. MATERIAL: COPPER ALLOY.
2. CONDUCTOR AND BUSBAR GROOVES PREFILLED WITH PENETROX™ OXIDE INHIBITOR.
3. ACCOMMODATES: ONE #6 AWG STR./SOL. AND/OR ONE #2 AWG STR./SOL. TO 1/4" THICK COPPER BUSBAR.
4. INSTALLED WITH ONE CRIMP USING THE U1105 DIE SET USING THE Y750 HYPRESS™ SERIES HYDRAULIC TOOL.
5. LISTED TO UL 467 GROUNDING AND BONDING EQUIPMENT, SUITABLE FOR DIRECT BURIAL.
6. CERTIFIED TO CSA C22.2 NO. 41, GROUNDING AND BONDING EQUIPMENT, SUITABLE FOR DIRECT BURIAL.
7. LISTED TO UL 486A, WIRE CONNECTORS AND SOLDERING LUGS FOR USE WITH COPPER CONDUCTORS.
8. CERTIFIED TO CSA C22.2 NO. 65, WIRE CONNECTORS.
9. DIMENSIONS IN BRACKETS [] ARE IN MILLIMETERS ROUNDED TO THE NEAREST WHOLE NUMBER. UNLESS OTHERWISE NOTED, AND ARE FOR REFERENCE ONLY.

REV: PE0200

TO ORDER BURNDY® PRODUCTS CALL		BUSBAR CONNECTOR	
UNITED STATES: 1-800-346-4175 (LONDONDERRY, NH)		ITEM NO: 10002967	
CANADA: 1-800-361-6975 (QUEBEC) 1-800-387-6487 (ALL OTHER PROVINCES)		CAT. NO: YG14B2TC2C6C	
FOR PRODUCT INFO: http://www.burndy.com		DRAWN BY: D. DOBRINSKI	
		CHECKER: --	
		DSN APPVL: K. MELLO	
		MFG APPVL: --	
		QA APPVL: J. BRODEUR	
		MKT APPVL: B. HARGROVE	
		PROJ #:	SCALE: 2:1
		DOCUMENT TYPE: --	DRAWING NO
		REL LEVEL: Released	REV
			SIZE
			B
			SC211340-01
			SHEET 1 OF 1

