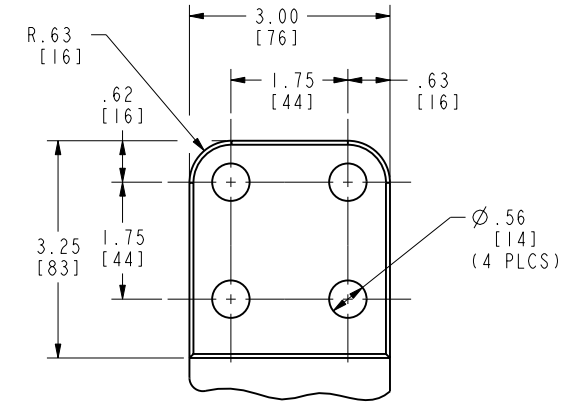
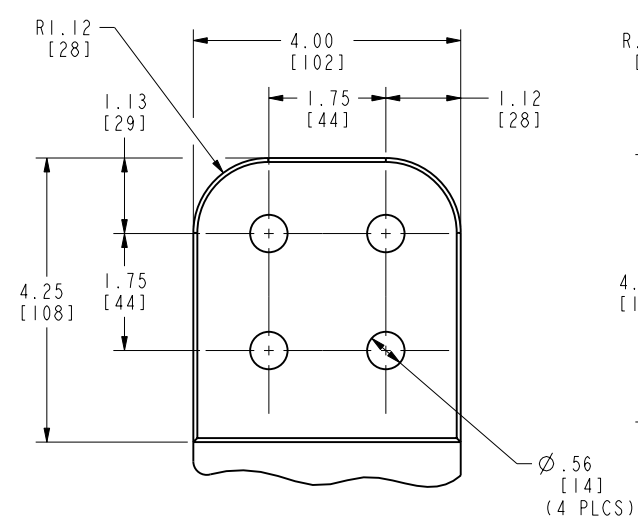
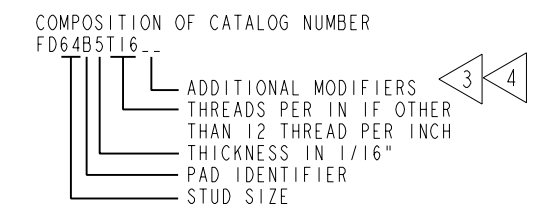


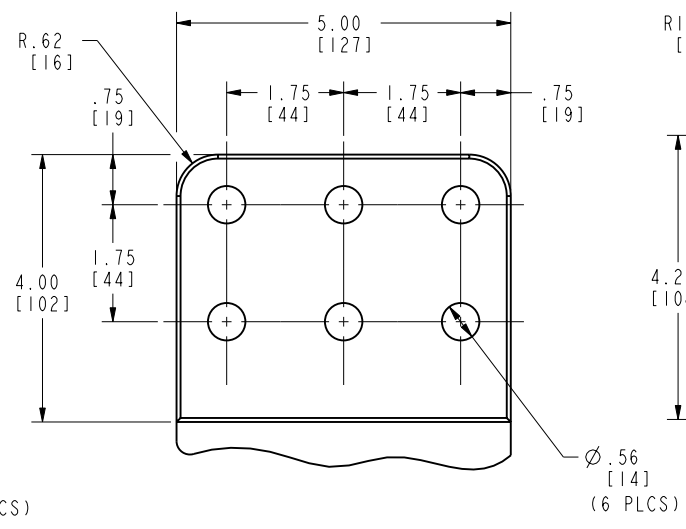
PAD B



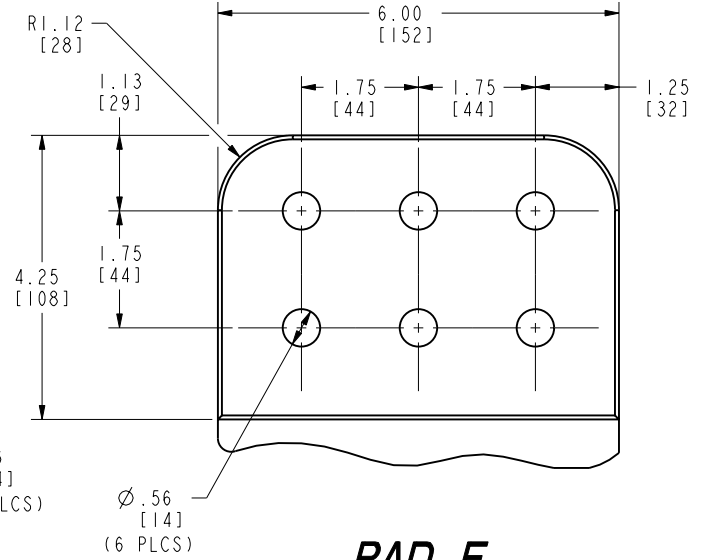
PAD C



PAD D



PAD E



PAD F

NOTES:

- MATERIAL: CAST COPPER ALLOY.
- ALL STUDS ARE TWELVE (12) THREADS PER INCH (TPI) UNLESS OTHERWISE SPECIFIED IN CATALOG NUMBER IF THREADS OTHER THAN 12 TPI ARE REQUIRED, ADD SUFFIX "T16", "T14", ETC. AS REQUIRED, E.G. FD64B5T16. "T16" INDICATES 16 TPI, FD65C6T14, "T14" INDICATES 14 TPI, FD67D8T0, "T0" INDICATES SMOOTH STUD (NO THREADS).
- STUD CONNECTORS MAY BE PURCHASED IN MANY PLATING VARIATIONS BY ADDING SUFFIX TO END OF CATALOG NUMBER. EXAMPLES: "TN" = TIN PLATED, "SV" = SILVER PLATED, "W" = HOT TIN DIPPED AND "NK" = NICKEL PLATED.
- WHEN SUFFIX "U" IS ADDED TO THE CATALOG NUMBER THE TONGUE SHALL BE UNDRILLED.
- DIMENSIONS IN BRACKET [] ARE IN MILLIMETERS ROUNDED OFF TO THE NEAREST MILLIMETER, UNLESS OTHERWISE NOTED, AND ARE FOR REFERENCE ONLY.

TO ORDER BURNDY® PRODUCTS CALL UNITED STATES 1-800-346-4175 (LONDONDERRY, NH) CANADA: 1-800-361-6975 (QUEBEC) 1-800-387-6487 (ALL OTHER PROVINCES) FOR PRODUCT INFO: http://www.burndy.com		STUD CONNECTOR	
		ITEM NO: N/A	CAT. NO: FD-- (TABLE)
DRAWN BY: J SUDHAKAR 08/11/06 CHECKER: J HOSKER 06/25/10 DSN APPVL: J HOSKER 02/25/11 MFG APPVL: T WAWRZYNIAK 03/15/11 QA APPVL: J HILLMAN 03/01/11 MKT APPVL: V TORRES 03/02/11		SCALE: 1:1 PRODUCTION: SUBSTATION PROJECT #: -- DOCUMENT TYPE: Sales REL LEVEL: Released	
DRAWING NO: SD079583 SHEET 1 OF 2		SIZE: D	REV: K

REV: PE0200

REV	DATE	DESCRIPTION	ECO	BY	C'H'K.
K	2/4/2011 12:00:00 AM	REVISED TO INCLUDE TABLE	23292	NG	NJS

CATALOG NUMBER	"A" DIA STUD	PAD	B CONTACT LENGTH	J BOLT	L	T	NOMINAL AMPERE RATING
FD63C6T13	1/2"-13	C	1.75 [44]	3/8"-16	6.00 [152]	.38 [10]	1075
FD635C6T11	5/8"-11	C	1.75 [44]	3/8"-16	6.00 [152]	.38 [10]	1075
FD64B5T16	3/4"-16	B	1.75 [44]	3/8"-16	5.72 [145]	.31 [8]	700
FD64C5T0	3/4" SMOOTH	C			6.00 [152]	.31 [8]	1000
FD64C5T10	3/4"-10	C			6.00 [152]	.31 [8]	1000
FD64C5T16	3/4"-16	C			5.72 [145]	.31 [8]	1000
FD64D5	3/4"-12	D			6.78 [170]	.31 [8]	1200
FD645D8T0	7/8" SMOOTH	D			7.06 [179]	.50 [13]	1450
FD65B6T14	1"-14	B			5.72 [145]	.38 [10]	750
FD65C6T14	1"-14	C			5.72 [145]	.38 [10]	1075
FD65D8T0	1" SMOOTH	D			7.06 [179]	.50 [13]	1450
FD65D12T0	1" SMOOTH	D			6.84 [174]	.75 [19]	2100
FD655B6	1 1/8"-12	B	1.75 [44]	3/8"-16	5.80 [147]	.38 [10]	750
FD655C6	1 1/8"-12	C			5.80 [147]	.38 [10]	1075
FD655C6T16	1 1/8"-12	C			5.80 [147]	.38 [10]	1075
FD655D6	1 1/8"-12	D			6.86 [174]	.38 [10]	1300
FD655B6J12	1 1/8"-12	B			6.21 [158]	.38 [10]	750
FD655C6J12	1 1/8"-12	C			6.21 [158]	.38 [10]	1075
FD66B6	1 1/4"-12	B			5.78 [147]	.38 [10]	750
FD66C6	1 1/4"-12	C			5.78 [147]	.38 [10]	1075
FD66D6	1 1/4"-12	D			6.84 [174]	.38 [10]	1300
FD66D8	1 1/4"-12	D			6.84 [174]	.50 [13]	1450
FD66B8W	1 1/4"-12	D	6.84 [174]	.50 [13]	1450		
FD66C6J12	1 1/4"-12	C	2.18 [55]	1/2"-13	6.21 [158]	.38 [10]	1075
FD67B6	1 1/2"-12	B			6.23 [158]	.38 [10]	750
FD67C6	1 1/2"-12	C			6.23 [158]	.38 [10]	1075
FD67D6SV	1 1/2"-12	D			7.21 [183]	.38 [10]	1300
FD67B8	1 1/2"-12	B			6.75 [171]	.50 [13]	875
FD67C8	1 1/2"-12	C			6.75 [171]	.50 [13]	1100
FD67D6	1 1/2"-12	D			7.21 [183]	.38 [10]	1300
FD67D8	1 1/2"-12	D			7.5 [191]	.50 [13]	1450
FD67D8W	1 1/2"-12	D			7.31 [186]	.50 [13]	1450
FD67D8T0	1 1/2" SMOOTH	D			7.5 [191]	.50 [13]	1450
FD67D12	1 1/2"-12	D	7.0 [191]	.75 [19]	2100		
FD675C8	1 3/4"-12	C	2.18 [55]	1/2"-13	6.32 [161]	.50 [13]	1100
FD675D8	1 3/4"-12	D			7.39 [188]	.50 [13]	1450
FD675D12	1 3/4"-12	D			7.39 [188]	.75 [19]	2100
FD675D12W	1 3/4"-12	D			7.88 [200]	.75 [19]	2100

CATALOG NUMBER	"A" DIA STUD	PAD	B CONTACT LENGTH	J BOLT	L	T	NOMINAL AMPERE RATING				
FD68C8	2"-12	C	2.18 [55]	1/2"-13	6.35 [161]	.50 [13]	1100				
FD68D8	2"-12	D			7.42 [188]	.50 [13]	1450				
FD68D8W	2"-12	D			7.42 [188]	.50 [13]	1450				
FD68D12	2"-12	D			7.42 [188]	.75 [19]	2100				
FD68D16	2"-12	D			7.42 [188]	1.00 [25]	3000				
FD685C8	2 1/4"-12	C			2.50 [64]	1/2"-13	6.71 [170]	.50 [13]	1100		
FD685D8	2 1/4"-12	D					7.77 [197]	.50 [13]	1450		
FD685D12	2 1/4"-12	D					7.77 [197]	.75 [19]	2100		
FD685D16	2 1/4"-12	D					7.77 [197]	1.00 [25]	3000		
FD69C8	2 1/2"-12	C					2.50 [64]	1/2"-13	6.77 [172]	.50 [13]	1100
FD69D8	2 1/2"-12	D	8.03 [204]	.50 [13]					1450		
FD69D12	2 1/2"-12	D	8.03 [204]	.75 [19]					2100		
FD69D16	2 1/2"-12	D	8.03 [204]	1.00 [25]					3000		
FD696D12T0	2 13/16" SMOOTH	D	2.88 [73]	5/8"-11					8.25 [210]	.75 [19]	2100
FD70C8	3"-12	C	2.88 [73]	5/8"-11					7.21 [183]	.50 [13]	1100
FD70D8	3"-12	D			8.28 [210]	.50 [13]			1450		
FD70D12	3"-12	D			8.26 [210]	.75 [19]			2100		
FD70D16	3"-12	D			8.24 [210]	1.00 [25]			3000		
FD70F16T0W	3" SMOOTH	F			9.19 [234]	1.00 [25]			4000		
FD70F16W	3"-12	F			9.19 [234]	1.00 [25]	4000				
FD70F16	3"-12	F			9.19 [234]	1.00 [25]	4000				
FD70D22	3"-12	D			8.24 [210]	1.38 [35]	4000				
FD705C12	3 1/4"-12	C			2.88 [73]	5/8"-11	7.20 [183]	.75 [19]	1900		
FD705D12	3 1/4"-12	D					8.26 [210]	.75 [19]	2100		
FD705D16	3 1/4"-12	D	8.26 [210]	1.00 [25]			3000				
FD705F16	3 1/4"-12	F	9.00 [229]	1.00 [25]			4000				
FD71D12	3 1/2"-12	D	8.78 [223]	.75 [19]			2100				
FD71D16	3 1/2"-12	D	8.40 [213]	1.00 [25]			3000				
FD72D12	4"-12	D	8.42 [214]	.75 [19]			2100				
FD72D16	4"-12	D	8.42 [214]	1.00 [25]			3000				
FD72F18	4"-12	F	8.42 [214]	1.12 [28]			4200				
FD72F18W	4"-12	F	8.42 [214]	1.12 [28]			4200				
FD72D27	4"-12	D	8.42 [214]	1.68 [43]	3000						
FD72D27W	4"-12	D	8.42 [214]	1.68 [43]	3000						
FD73F20	4 1/2"-12	F	3.00 [76]	5/8"-11	9.34 [237]	.75 [19]	5000				
FD678D16T0Q	1 7/8" SMOOTH	D	2.18 [55]	1/2"-13	7.42 [188]	1.00 [25]	3000				

REV: PE0200

TO ORDER BURNDY® PRODUCTS CALL
UNITED STATES
1-800-346-4175 (LONDONDERRY, NH)
CANADA:
1-800-361-6975 (QUEBEC)
1-800-387-6487 (ALL OTHER PROVINCES)
FOR PRODUCT INFO: <http://www.burndy.com>

STUD CONNECTOR	
ITEM NO:	N/A
CAT. NO:	FD-- (TABLE)
DRAWN BY:	J SUDHAKAR 08/11/06
CHECKER:	J HOSKER 06/25/10
DSN APPVL:	J HOSKER 02/25/11
MFG APPVL:	T WAWRZYNIAK 03/15/11
QA APPVL:	J HILLMAN 03/01/11
MKT APPVL:	V TORRES 03/02/11
PROD FAM:	SUBSTATION
PROJECT #:	--
DOCUMENT TYPE:	Sales
REL LEVEL:	Released
DRAWING NO	SD079583
REV	K
SCALE:	1:1
SHEET 2 OF 2	