

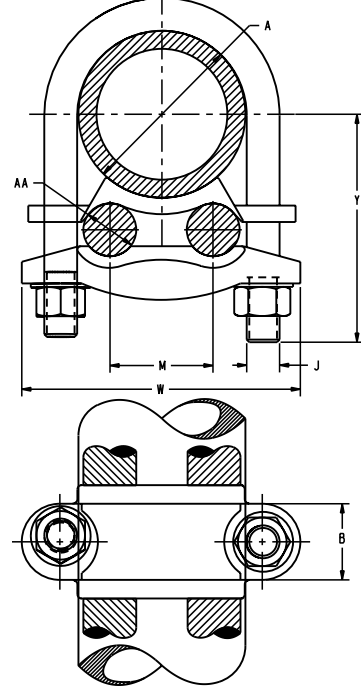
DRAWING NO.  
SD013775

7 6 5 4 3 2 1

REVISION DATE DESCRIPTION ECO BY C.H.#  
A 1/12/2008 1:10:00 PM 15064 MC PL

CONDUCTORS ACCOMMODATED

D	I.P.S. PIPE		ROD				AA				CATALOG NUMBER	B	J	M	W	Y	"U" BOLT	TORQUE Lb*in (N*m)
	NOMINAL DIAMETER (in)	ACTUAL DIA. (in) (mm)	NOMINAL DIAMETER (in)	ACTUAL DIAMETER (in) (mm)		AWG		METRIC WIRE SIZE										
				MIN	MAX	MIN	MAX											
1"	1.315	[33]	1 1/8" OR 1 1/4"	1.125 OR 1.25	[29] OR [32]	#8 SOL.(.128 DIA)	#4 STRI.232 DIA)	10mm <sup>2</sup> SOL(2.6)	16mm <sup>2</sup> STR(5.1)	GD154C	1.13 [29]	3/8" [10]	.69 [18]	2.63 [67]	2.25 [57]	244	240 [27.0]	
1"	1.315	[33]	1 1/8" OR 1 1/4"	1.125 OR 1.25	[29] OR [32]	#4 SOL(.204 DIA)	2/0 STRI.416 DIA)	25mm <sup>2</sup> STR(6.5)	50mm <sup>2</sup> STR(19.3)	GD1526	1.13 [29]	3/8" [10]	.69 [18]	2.63 [67]	2.25 [57]	244	240 [27.0]	
1"	1.315	[33]	1 1/8" OR 1 1/4"	1.125 OR 1.25	[29] OR [32]	2/0 SOL(.365 DIA)	200 Kcmil(.575 DIA)	70mm <sup>2</sup> STR(10.9)	95mm <sup>2</sup> STR(12.8)	GD1529	1.13 [29]	3/8" [10]	.69 [18]	2.63 [67]	2.25 [57]	244	240 [27.0]	
1 1/4"	1.660	[42]	1 3/8" OR 1 1/2"	1.375 OR 1.125	[35] OR [29]	#6 SOL(.129 DIA)	#4 STRI.232 DIA)	16mm <sup>2</sup> STR(5.1)	16mm <sup>2</sup> STR(5.1)	GD164C	1.25 [32]	3/8" [10]	1.13 [29]	3.00 [76]	2.25 [57]	204	240 [27.0]	
1 1/4"	1.660	[42]	1 3/8" OR 1 1/2"	1.375 OR 1.125	[35] OR [29]	#4 SOL(.204 DIA)	2/0 STRI.416 DIA)	25mm <sup>2</sup> STR(6.5)	50mm <sup>2</sup> STR(19.3)	GD1626	1.25 [32]	3/8" [10]	1.13 [29]	3.00 [76]	2.25 [57]	204	240 [27.0]	
1 1/4"	1.660	[42]	1 3/8" OR 1 1/2"	1.375 OR 1.125	[35] OR [29]	2/0 SOL(.365 DIA)	250 Kcmil(.575 DIA)	70mm <sup>2</sup> STR(10.9)	120mm <sup>2</sup> STR(14.4)	GD1629	1.31 [33]	3/8" [10]	1.00 [25]	3.25 [83]	2.25 [57]	268	240 [27.0]	
1 1/2"	1.900	[48]	1 5/8" OR 1 7/8"	1.625 OR 1.875	[41] OR [48]	#8 SOL(.129 DIA)	#4 STRI.232 DIA)	10mm <sup>2</sup> SOL(2.6)	16mm <sup>2</sup> STR(5.1)	GD174C	1.31 [33]	3/8" [10]	1.19 [30]	3.25 [83]	2.63 [67]	268	240 [27.0]	
1 1/2"	1.900	[48]	1 5/8" OR 1 7/8"	1.625 OR 1.875	[41] OR [48]	#4 SOL(.204 DIA)	2/0 STRI.416 DIA)	25mm <sup>2</sup> STR(6.5)	50mm <sup>2</sup> STR(19.3)	GD1726	1.31 [33]	3/8" [10]	1.25 [32]	3.25 [83]	2.63 [67]	268	240 [27.0]	
1 1/2"	1.900	[48]	1 5/8" OR 1 7/8"	1.625 OR 1.875	[41] OR [48]	2/0 SOL(.365 DIA)	250 Kcmil(.575 DIA)	70mm <sup>2</sup> STR(10.9)	120mm <sup>2</sup> STR(14.4)	GD1729	1.31 [33]	3/8" [10]	1.19 [30]	3.25 [83]	2.63 [67]	268	240 [27.0]	
1 1/2"	1.900	[48]	1 5/8" OR 1 7/8"	1.625 OR 1.875	[41] OR [48]	300 Kcmil(.630 DIA)	500 Kcmil(.814 DIA)	185mm <sup>2</sup> STR(17.8)	240mm <sup>2</sup> STR(20.3)	GD1734	1.56 [40]	1/2" [13]	1.00 [25]	3.38 [86]	3.13 [80]	302	480 [54.1]	
2"	2.375	[60]	2"	2.00	[51]	#8 SOL(.129 DIA)	#4 STRI.232 DIA)	10mm <sup>2</sup> SOL(2.6)	16mm <sup>2</sup> STR(5.1)	GD184C	1.31 [33]	3/8" [10]	1.88 [48]	3.69 [94]	2.56 [65]	259	240 [27.0]	
2"	2.375	[60]	2"	2.00	[51]	#4 SOL(.204 DIA)	2/0 STRI.416 DIA)	25mm <sup>2</sup> STR(6.5)	50mm <sup>2</sup> STR(19.3)	GD1826	1.31 [33]	3/8" [10]	1.69 [43]	3.69 [94]	2.56 [65]	257	240 [27.0]	
2"	2.375	[60]	2"	2.00	[51]	2/0 SOL(.365 DIA)	250 Kcmil(.575 DIA)	70mm <sup>2</sup> STR(10.9)	120mm <sup>2</sup> STR(14.4)	GD1829	1.31 [33]	3/8" [10]	1.69 [43]	3.69 [94]	2.56 [65]	257	240 [27.0]	
2"	2.375	[60]	2"	2.00	[51]	300 Kcmil(.630 DIA)	500 Kcmil(.814 DIA)	185mm <sup>2</sup> STR(17.8)	240mm <sup>2</sup> STR(20.3)	GD1834	1.56 [40]	1/2" [13]	1.50 [38]	4.06 [103]	3.63 [92]	260	480 [54.1]	
2 1/2"	2.875	[73]	2 1/2"	2.50	[64]	#8 SOL(.129 DIA)	#4 STRI.232 DIA)	10mm <sup>2</sup> SOL(2.6)	16mm <sup>2</sup> STR(5.1)	GD194C	1.38 [35]	3/8" [10]	2.31 [59]	4.19 [106]	3.13 [80]	266	240 [27.0]	
2 1/2"	2.875	[73]	2 1/2"	2.50	[64]	#4 SOL(.204 DIA)	2/0 STRI.416 DIA)	25mm <sup>2</sup> STR(6.5)	50mm <sup>2</sup> STR(19.3)	GD1926	1.38 [35]	3/8" [10]	2.63 [67]	4.19 [106]	3.13 [80]	266	240 [27.0]	
2 1/2"	2.875	[73]	2 1/2"	2.50	[64]	2/0 SOL(.365 DIA)	250 Kcmil(.575 DIA)	70mm <sup>2</sup> STR(10.9)	120mm <sup>2</sup> STR(14.4)	GD1929	1.38 [35]	3/8" [10]	2.19 [56]	4.19 [106]	3.13 [80]	266	240 [27.0]	
2 1/2"	2.875	[73]	2 1/2"	2.50	[64]	300 Kcmil(.630 DIA)	500 Kcmil(.814 DIA)	185mm <sup>2</sup> STR(17.8)	240mm <sup>2</sup> STR(20.3)	GD1934	1.56 [40]	1/2" [13]	2.00 [51]	4.56 [116]	3.00 [74]	232	480 [54.1]	
2 1/2"	2.875	[73]	2 1/2"	2.50	[64]	550 Kcmil(.855 DIA)	750 Kcmil(.998 DIA)	300mm <sup>2</sup> STR(22.6)	400mm <sup>2</sup> STR(26.1)	GD1939	1.81 [46]	5/8" [16]	1.38 [35]	4.81 [122]	3.13 [80]	356	660 [74.4]	
3"	3.500	[89]	3"	3.000	[76]	#8 SOL(.129 DIA)	#4 STRI.232 DIA)	10mm <sup>2</sup> SOL(2.6)	16mm <sup>2</sup> STR(5.1)	GD204C	1.38 [35]	3/8" [10]	3.25 [83]	4.81 [122]	3.38 [86]	258	240 [27.0]	



NOTES:  
 1. MATERIAL : CAST COPPER ALLOY, DURIUM #6 (U-BOLT, HEX NUTS & S.P.L.W).  
 2. UL 467 LISTED, FILE NO. E9999. ACCEPTABLE FOR DIRECT BURIAL.  
 3. SUITABLE FOR BURIAL IN GROUND OR CONCRETE.  
 4. DIMENSIONS IN BRACKETS ( ) ARE IN MILLIMETERS, ROUNDED OFF TO THE NEAREST MILLIMETER, UNLESS OTHERWISE NOTED, AND ARE FOR REFERENCE ONLY.

TO ORDER BURNDY® PRODUCTS CALL		GROUND CONNECTOR	
UNITED STATES		ITEM NO: SEE TABLE	
1-800-346-4175 (LONDONDERRY, NH)		CAT. NO: GD--(TABLE)	
CANADA:		DRAWN BY: ABD 6/16/754	
1-800-361-6975 (QUEBEC)		CHECKED: DJ 6/16/754	
1-800-387-6487 (ALL OTHER PROVINCES)		DSN APPVL: EJP 6/16/754	
FOR PRODUCT INFO: <a href="http://www.burndy.com">http://www.burndy.com</a>		MFG APPVL: EJP 6/16/754	
		QA APPVL: A LLOYD 12/3/93	
		MKT APPVL: R WOOD 1/17/95	
		SCALE: 3:2	
		PROJ FAN: --	
		PROJECT #: PCN 1556	
		SIZE	
		D	
		DRAWING NO	
		SD013775	
		REV	
		A	
		SHEET 1 OF 2	

8 7 6 5 4 3 2 1