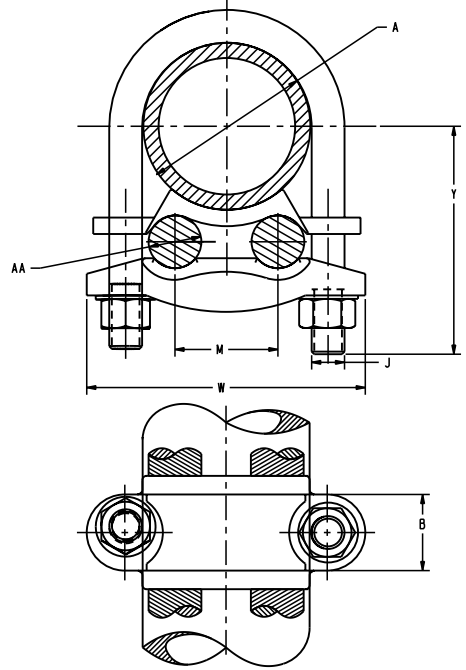


DRAWING NO.
SD013775

7 6 5 4 3 2 1

REVISION DATE DESCRIPTION ECO BY C.H.N.
A 1/12/2008 1:10:00 PM 15064 MC PL

CONDUCTORS ACCOMMODATED											CATALOG NUMBER	B	J	M	W	Y	"U" BOLT	TORQUE Lb+in (N+mm)
I.P.S. PIPE			ROD			AA		METRIC WIRE SIZE										
NOMINAL DIAMETER (IN)	ACTUAL DIA. (IN)	(MM)	NOMINAL DIAMETER (IN)	ACTUAL DIAMETER (IN)	(MM)	MIN	MAX	MIN	MAX									
3"	3.500	[89]	3"	3.00	[76]	#4 SOL(.204 DIA)	2/0 STR(.416 DIA)	25mm ² STR(6.5)	50mm ² STR(9.3)	GD2026	1.50 [38]	3/8" (10)	2.75 [70]	4.81 [118]	3.38 [83]	258	240 [27.0]	
3"	3.500	[89]	3"	3.00	[76]	2/0 SOL(.365 DIA)	250 Kcmil(.575 DIA)	70mm ² STR(10.9)	120mm ² STR(14.4)	GD2029	1.50 [38]	3/8" (10)	2.88 [73]	4.81 [118]	3.38 [83]	258	240 [27.0]	
3"	3.500	[89]	3"	3.00	[76]	300 kcmil(.630 DIA)	500 Kcmil(.814 DIA)	185mm ² STR(17.8)	240mm ² STR(20.3)	GD2034	1.56 [40]	1/2" (13)	2.31 [59]	5.31 [130]	4.00 [98]	282	480 [54.1]	
3"	3.500	[89]	3"	3.00	[76]	550 kcmil(.855 DIA)	750 Kcmil(.998 DIA)	300mm ² STR(22.6)	400mm ² STR(26.1)	GD2039	1.88 [48]	5/8" (16)	2.31 [59]	5.31 [130]	4.13 [101]	---	660 [74.4]	
3"	3.500	[89]	3"	3.00	[76]	800 kcmil(1.031 DIA)	1000 Kcmil(1.152 DIA)	400mm ² STR(26.1)	500mm ² STR(28.3)	GD2044	2.00 [51]	5/8" (16)	2.31 [59]	5.31 [130]	4.25 [104]	---	660 [74.4]	
3 1/2"	4.000	[102]	3 1/2"	3.50	[89]	#8 SOL(.129 DIA)	#4 STR(.232 DIA)	10mm ² SOL(2.6)	16mm ² STR(5.1)	GD214C	1.44 [37]	3/8" (10)	2.31 [59]	5.31 [130]	3.75 [92]	264	240 [27.0]	
3 1/2"	4.000	[102]	3 1/2"	3.50	[89]	#4 SOL(.204 DIA)	2/0 STR(.416 DIA)	25mm ² STR(6.5)	50mm ² STR(9.3)	GD2126	1.50 [38]	3/8" (10)	2.31 [59]	5.31 [130]	3.75 [92]	264	240 [27.0]	
3 1/2"	4.000	[102]	3 1/2"	3.50	[89]	2/0 SOL(.365 DIA)	250 Kcmil(.575 DIA)	70mm ² STR(10.9)	120mm ² STR(14.4)	GD2129	1.50 [38]	3/8" (10)	2.31 [59]	5.31 [130]	3.75 [92]	264	240 [27.0]	
3 1/2"	4.000	[102]	3 1/2"	3.50	[89]	300 kcmil(.630 DIA)	500 Kcmil(.814 DIA)	185mm ² STR(17.8)	240mm ² STR(20.3)	GD2134	1.56 [40]	1/2" (13)	3.13 [80]	5.69 [139]	3.25 [80]	436	480 [54.1]	
3 1/2"	4.000	[102]	3 1/2"	3.50	[89]	550 kcmil(.855 DIA)	750 Kcmil(.998 DIA)	300mm ² STR(22.6)	400mm ² STR(26.1)	GD2139	1.88 [48]	5/8" (16)	2.88 [73]	6.06 [148]	4.88 [120]	373	660 [74.4]	
3 1/2"	4.000	[102]	3 1/2"	3.50	[89]	800 kcmil(1.031 DIA)	1000 Kcmil(1.152 DIA)	400mm ² STR(26.1)	500mm ² STR(28.3)	GD2144	2.00 [51]	5/8" (16)	2.75 [70]	6.06 [148]	4.88 [120]	373	660 [74.4]	
4"	4.500	[114]	4"	4.00	[102]	#8 SOL(.129 DIA)	#4 STR(.232 DIA)	10mm ² SOL(2.6)	16mm ² STR(5.1)	GD224C	1.56 [40]	3/8" (10)	4.19 [106]	5.94 [146]	3.69 [90]	261	240 [27.0]	
4"	4.500	[114]	4"	4.00	[102]	#4 SOL(.204 DIA)	2/0 STR(.416 DIA)	25mm ² STR(6.5)	50mm ² STR(9.3)	GD2226	1.63 [41]	3/8" (10)	3.75 [95]	5.81 [142]	3.69 [90]	261	240 [27.0]	
4"	4.500	[114]	4"	4.00	[102]	2/0 SOL(.365 DIA)	250 Kcmil(.575 DIA)	70mm ² STR(10.9)	120mm ² STR(14.4)	GD2229	1.63 [41]	3/8" (10)	3.69 [94]	5.81 [142]	3.69 [90]	261	240 [27.0]	
4"	4.500	[114]	4"	4.00	[102]	300 kcmil(.630 DIA)	500 Kcmil(.814 DIA)	150mm ² STR(16.0)	240mm ² STR(20.3)	GD2234	1.38 [35]	1/2" (13)	3.31 [84]	6.19 [152]	4.00 [98]	262	480 [54.1]	
4"	4.500	[114]	4"	4.00	[102]	550 kcmil(.855 DIA)	750 Kcmil(.998 DIA)	300mm ² STR(22.6)	400mm ² STR(26.1)	GD2239	1.88 [48]	5/8" (16)	3.63 [92]	6.56 [161]	4.13 [101]	377	660 [74.4]	
4"	4.500	[114]	4"	4.00	[102]	800 kcmil(1.031 DIA)	1000 Kcmil(1.152 DIA)	400mm ² STR(26.1)	500mm ² STR(28.3)	GD2244	2.00 [51]	5/8" (16)	3.25 [83]	6.56 [161]	4.13 [101]	377	660 [74.4]	
1/2" OR 3/4"	848 OR 1.05 [213 OR 127]		7/8" OR 1"	.875 OR .25 [22] OR [25]		#8 SOL(.129 DIA)	#4 STR(.232 DIA)	10mm ² SOL(2.6)	16mm ² STR(5.1)	GD114C	1.13 [29]	5/8" (16)	3.25 [83]	2.38 [58]	1.75 [43]	222	660 [74.4]	
6"	6.625 [168]					#4 SOL(.204 DIA)	2/0 STR(.416 DIA)	25mm ² STR(6.5)	50mm ² STR(9.3)	GD8626	1.63 [41]	1/2" (13)	6.03 [153]	8.19 [201]	4.31 [106]	275	480 [54.1]	
			3/4"	.75	[19]	300 kcmil(.630 DIA)	500 Kcmil(.814 DIA)	150mm ² STR(16.0)	240mm ² STR(20.3)	GD6434	1.56 [40]	1/2" (13)	1.00 [25]	3.59 [88]	3.69 [90]	302	480 [54.1]	



NOTES:
 1. MATERIAL : CAST COPPER ALLOY, DURIUM #6 (U-BOLT, HEX NUTS & S.P.L.W).
 2. UL 467 LISTED, FILE NO. E9999. ACCEPTABLE FOR DIRECT BURIAL.
 3. SUITABLE FOR BURIAL IN GROUND OR CONCRETE.
 4. DIMENSIONS IN BRACKETS [] ARE IN MILLIMETERS, ROUNDED OFF TO THE NEAREST MILLIMETER, UNLESS OTHERWISE NOTED, AND ARE FOR REFERENCE ONLY.

TO ORDER BURNDY® PRODUCTS CALL UNITED STATES 1-800-346-4175 (LONDONDERRY, NH) CANADA: 1-800-361-6975 (QUEBEC) 1-800-387-6487 (ALL OTHER PROVINCES) FOR PRODUCT INFO: http://www.burndy.com	GROUND CONNECTOR	
	ITEM NO: SEE TABLE	
	CAT. NO: GD--(TABLE)	
	DRAWN BY: R. PERREAU 5/24/94	
CHECKED: ---		
DSN APPL: G. DITROIA 1/17/1993		
MFG APPL: ---		
QA APPL: A. LLOYD 12/13/93		
MKT APPL: R. WOOD 1/17/1993		
PROJ FAM: ---	DRAWING NO: SD013775	REV: A
PROJECT #: PCN 1556	SIZE: D	SHEET 2 OF 2
DOCUMENT TYPE: Sales	SCALE: 3:2	
REV LEVEL: Released		

REV: PER200

8 7 6 5 4 3 2 1