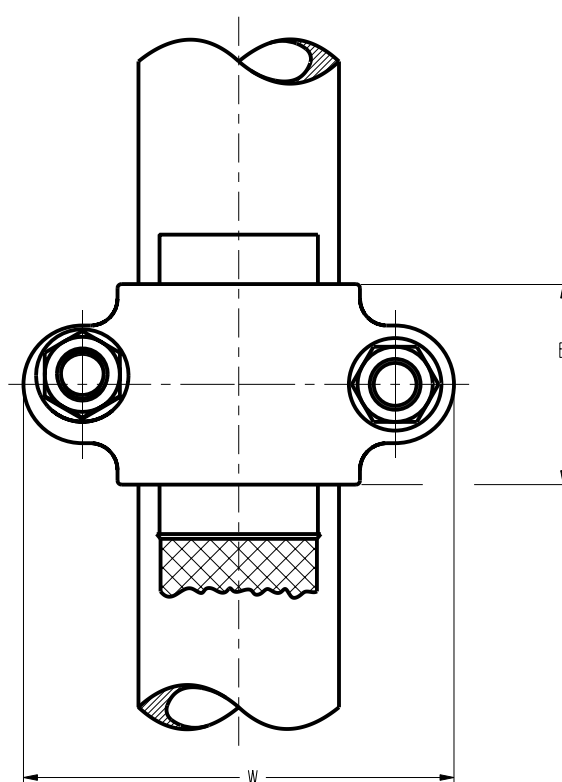
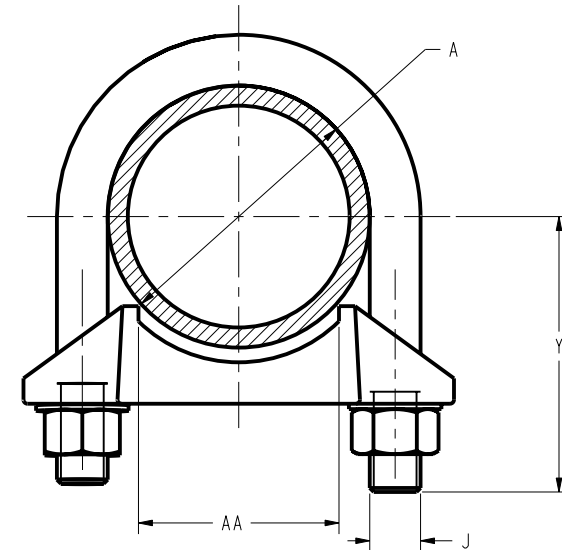


REV	DATE	DESCRIPTION	ECO	BY	CHK.
A	2/18/2008 1:32:00 PM	REWORK FOR PROX	15064	MC	PL

IPS PIPE ACCOMMODATED			CATALOG NUMBER	AA	B	J	W	Y	"U" BOLT	TORQUE Lb*in [N*m]
NOMINAL SIZE (in)	ACTUAL SIZE									
	(in)	[mm]								
3/4"	1.050	[28]	GG14-1	1.0 [32.2]	1.19 [30.2]	3/8" [10]	2.38 [60]	1.75 [44]	222	240 [27.0]
1"	1.315	[32]	GG15-1	1.0 [32.2]	1.31 [33.3]	3/8" [10]	2.63 [67]	2.25 [57]	244	240 [27.0]
1 1/4"	1.660	[41]	GG16-1	1.0 [32.2]	1.38 [35.1]	3/8" [10]	3.00 [76]	2.25 [57]	204	240 [27.0]
1 1/2"	1.990	[47]	GG17-1	1.0 [32.2]	1.38 [35.1]	3/8" [10]	3.25 [83]	2.06 [52]	199	240 [27.0]
1 1/2"	1.990	[47]	GG17-15	1.5 [46.6]	1.50 [38.1]	3/8" [10]	3.25 [83]	2.06 [52]	199	240 [27.0]
2"	2.375	[58]	GG18-1	1.0 [32.2]	1.38 [35.1]	3/8" [10]	3.69 [94]	2.56 [65]	257	240 [27.0]
2"	2.375	[58]	GG18-15	1.5 [46.6]	1.50 [38.1]	1/2" [13]	3.69 [94]	2.56 [65]	257	480 [54.1]
2"	2.375	[58]	GG18-2	2.0 [58.2]	1.75 [44.5]	1/2" [13]	4.06 [103]	2.63 [67]	230	480 [54.1]
2 1/2"	2.875	[70]	GG19-2	2.0 [58.2]	1.75 [44.5]	1/2" [13]	4.56 [116]	3.00 [76]	232	480 [54.1]
2 1/2"	2.875	[70]	GG19-25	2.5 [70.4]	1.88 [47.8]	1/2" [13]	4.56 [116]	3.00 [76]	232	480 [54.1]
3"	3.500	[86]	GG20-2	2.0 [58.2]	1.88 [47.8]	1/2" [13]	5.19 [132]	3.13 [79]	282	480 [54.1]
3"	3.500	[86]	GG20-25	2.5 [70.4]	2.00 [50.8]	1/2" [13]	5.19 [132]	3.13 [79]	282	480 [54.1]
3"	3.500	[86]	GG20-3	3.0 [85.8]	2.00 [50.8]	1/2" [13]	5.19 [132]	3.13 [79]	282	480 [54.1]
3 1/2"	4.000	[98]	GG21-2	2.0 [58.2]	2.00 [50.8]	1/2" [13]	5.69 [144]	3.25 [83]	263	480 [54.1]
3 1/2"	4.000	[98]	GG21-25	2.5 [70.4]	2.38 [60.5]	1/2" [13]	5.69 [144]	3.25 [83]	263	480 [54.1]
3 1/2"	4.000	[98]	GG21-3	3.0 [85.8]	2.38 [60.5]	1/2" [13]	5.69 [144]	3.25 [83]	263	480 [54.1]
3 1/2"	4.000	[98]	GG21-35	3.5 [98.0]	2.38 [60.5]	1/2" [13]	5.69 [144]	3.25 [83]	263	480 [54.1]
4"	4.500	[110]	GG22-2	2.0 [58.2]	2.00 [50.8]	1/2" [13]	6.19 [157]	3.63 [86]	236	480 [54.1]
4"	4.500	[110]	GG22-25	2.5 [70.4]	2.50 [63.5]	1/2" [13]	6.19 [157]	3.63 [86]	236	480 [54.1]
4"	4.500	[110]	GG22-3	3.0 [85.8]	2.50 [63.5]	1/2" [13]	6.19 [157]	3.63 [86]	236	480 [54.1]
4"	4.500	[110]	GG22-35	3.5 [98.0]	2.50 [63.5]	1/2" [13]	6.19 [157]	3.63 [86]	236	480 [54.1]
4"	4.500	[110]	GG22-4	4.0 [110.3]	2.50 [63.5]	1/2" [13]	6.19 [157]	3.63 [86]	236	480 [54.1]
4 1/2"	5.000	[5]	GG23-2	2.0 [58.2]	2.00 [50.8]	1/2" [13]	6.69 [170]	4.06 [103]	272	480 [54.1]
4 1/2"	5.000	[5]	GG23-25	2.5 [70.4]	2.50 [63.5]	1/2" [13]	6.69 [170]	4.06 [103]	272	480 [54.1]
4 1/2"	5.000	[5]	GG23-3	3.0 [85.8]	3.50 [88.9]	1/2" [13]	6.69 [170]	4.06 [103]	272	480 [54.1]
4 1/2"	5.000	[5]	GG23-35	3.5 [98.0]	2.50 [63.5]	1/2" [13]	6.69 [170]	4.06 [103]	272	480 [54.1]
4 1/2"	5.000	[5]	GG23-4	4.0 [110.3]	2.50 [63.5]	1/2" [13]	6.69 [170]	4.06 [103]	272	480 [54.1]
5"	5.563	[136]	GG24-2	1.6 [40.6]	2.13 [54.1]	1/2" [13]	7.25 [184]	4.31 [110]	300	480 [54.1]
5"	5.563	[136]	GG24-25	2.5 [70.4]	2.50 [63.5]	1/2" [13]	7.25 [184]	4.31 [110]	300	480 [54.1]
5"	5.563	[136]	GG24-3	3.0 [85.8]	2.50 [63.5]	1/2" [13]	7.25 [184]	4.31 [110]	300	480 [54.1]
5"	5.563	[136]	GG24-35	3.5 [98.0]	2.50 [63.5]	1/2" [13]	7.25 [184]	4.31 [110]	300	480 [54.1]
5"	5.563	[136]	GG24-4	4.0 [110.3]	2.50 [63.5]	1/2" [13]	7.25 [184]	4.31 [110]	300	480 [54.1]
6"	6.625	[162]	GG86-2	2.0 [58.2]	2.00 [50.8]	1/2" [13]	8.31 [211]	4.31 [110]	275	480 [54.1]
6"	6.625	[162]	GG86-25	2.5 [70.4]	2.50 [63.5]	1/2" [13]	8.31 [211]	4.31 [110]	275	480 [54.1]
6"	6.625	[162]	GG86-3	3.0 [85.8]	2.50 [63.5]	1/2" [13]	8.31 [211]	4.31 [110]	275	480 [54.1]
6"	6.625	[162]	GG86-35	3.5 [98.0]	2.50 [63.5]	1/2" [13]	8.31 [211]	4.31 [110]	275	480 [54.1]
6"	6.625	[162]	GG86-4	4.0 [110.3]	2.50 [63.5]	1/2" [13]	8.31 [211]	4.31 [110]	275	480 [54.1]
1/2"	.500	[13]	GG4C-1	0.9 [23.8]	1.19 [30.2]	3/8" [10]	2.38 [60]	1.94 [49]	222	240 [27.0]
5/8"	.625	[16]								
3/4"	.750	[19]								



NOTES:  
 1. MATERIAL: CAST COPPER ALLOY, DURIUM #6 (U-BOLT, HEX NUTS & S.P.L.W.).  
 2. DIMENSIONS IN [ ] BRACKETS ARE IN MILLIMETERS, ROUNDED OFF TO THE NEAREST MILLIMETER, UNLESS OTHERWISE NOTED, AND ARE FOR REFERENCE ONLY.  
 3. ROD SIZES ACCOMMODATED.

TO ORDER BURNDY PRODUCTS CALL 1-800-346-4175  
 MANCHESTER, NH 03109, USA  
 FOR PRODUCT INFO = <http://www.burndy.com>

GROUND CLAMP

ITEM NO: N/A  
 CAT. NO: GG--(TABLE)

DRAWN BY: JJB 2/12/46  
 CHECKER: ASB 2/22/46  
 DSN APPVL: G DITROIA 11/11/93  
 MFG APPVL: N/A --  
 QA APPVL: A LLOYD 2/12/93  
 MKT APPVL: K WOO 11/11/93

SCALE: 3:2

PROD FAM: --  
 PROJECT #: PCN 1556  
 DOCUMENT TYPE: Sales  
 REL LEVEL: Released

DRAWING NO: SD013776-01  
 SHEET 1 OF 1

REV: A

REV: PEO200