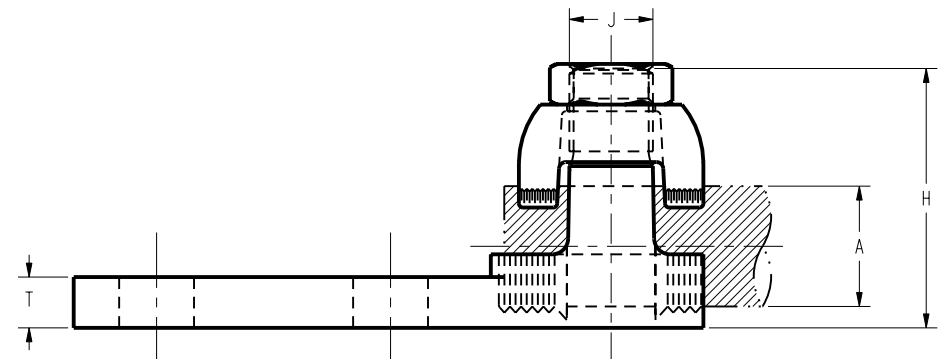
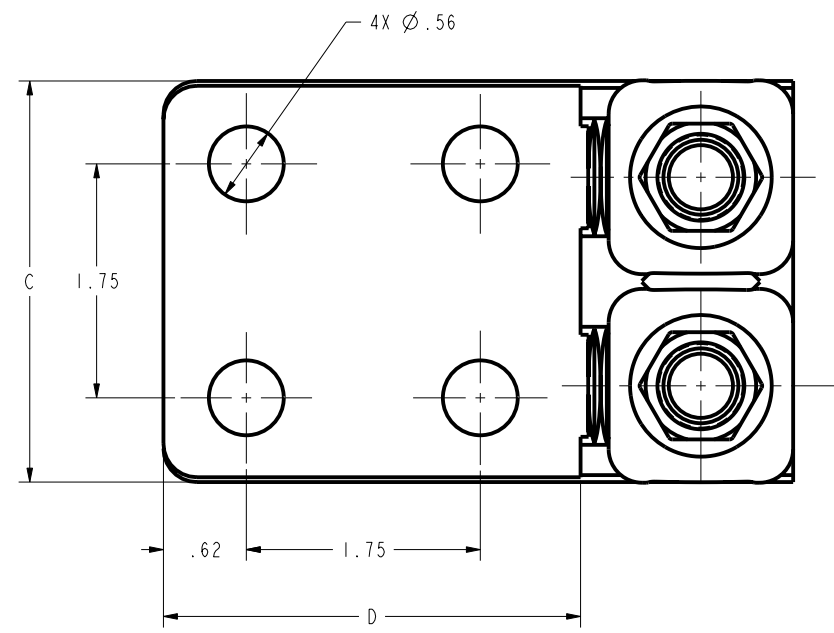
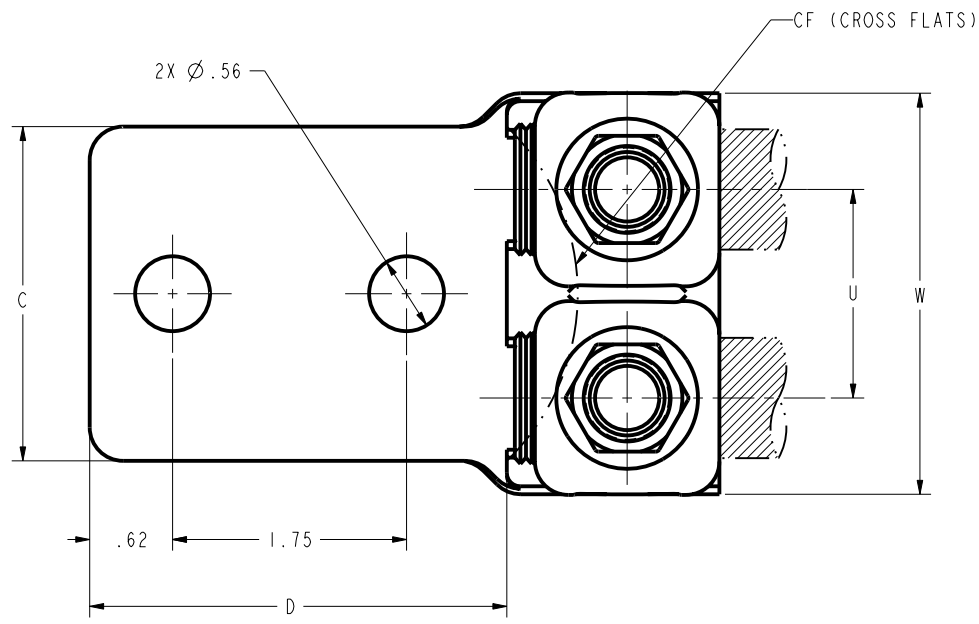


DRAWING NO.
SD023314-01

CONDUCTOR (COPPER) RANGE (A)	CAT. NO.	ITEM NO.	FIG. NO.	B	C	CF	D	H	J	L	T	U	W
1/0 STR. (.373) - 2/0 STR. (.418)	Q2A262N	358124	1	.94	1.62	.69	3.12	1.19	.500-20	4.19	.22	1.06	1.94
3/0 STR. (.470) - 4/0 STR. (.528)	Q2A282N	358132	1	1.06	1.88	.69	3.09	1.31	.500-20	4.31	.25	1.06	2.12
3/0 STR. (.470) - 4/0 STR. (.528)	Q2A284N	358148	2	1.06	3.00	.69	3.09	1.31	.500-20	4.31	.25	1.06	2.12
250 KCMIL (.575) - 350 KCMIL (.681)	Q2A312N	358156	1	1.19	2.38	.75	3.09	1.69	.562-18	4.44	.31	1.38	2.69
250 KCMIL (.575) - 350 KCMIL (.681)	Q2A314N	353164	2	1.19	3.00	.75	3.09	1.69	.562-18	4.44	.31	1.38	2.69
400 KCMIL (.728) - 500 KCMIL (.814)	Q2A342N	358196	1	1.38	2.50	.81	3.09	2.00	.625-18	4.69	.38	1.56	3.00
400 KCMIL (.728) - 500 KCMIL (.814)	Q2A344N	353180	2	1.38	3.00	.81	3.09	2.00	.625-18	4.69	.38	1.56	3.00
600 KCMIL (.893) - 800 KCMIL (1.031)	Q2A402N	358244	1	1.62	3.00	1.00	3.12	2.38	.750-16	4.94	.44	1.88	3.62
600 KCMIL (.893) - 800 KCMIL (1.031)	Q2A404N	358252	2	1.62	3.00	1.00	3.12	2.38	.750-16	4.94	.44	1.88	3.62
850 KCMIL (1.062) - 1000 KCMIL (1.152)	Q2A444N	358268	2	1.75	3.25	1.25	3.25	2.56	.875-14	5.19	.50	2.00	3.88
1100 KCMIL (1.209) - 1500 KCMIL (1.412)	Q2A464N	358276	2	2.00	3.50	1.25	3.25	2.94	.875-14	5.50	.69	2.31	4.50
1600 KCMIL (1.459) - 2000 KCMIL (1.631)	Q2A484N	358225	2	2.38	4.00	1.44	3.25	3.25	1.000-14	5.88	.81	2.50	4.88

REV	DATE	DESCRIPTION	ECO	BY	C'H'K.
A	11/19/2008 12:00:00 AM	REVISION TO PRO-1	16426	LS	AP



MATERIAL: CAST COPPER ALLOY #113L.
REFERENCES: PD9225
Q2A-GEN'L DWG. SA5943.

SUPERCEDES SD23314-2

TO ORDER BURNDY® PRODUCTS CALL		QIKLUGS (NEMA TONGUE)	
UNITED STATES 1-800-346-4175 (LONDONDERRY, NH)		ITEM NO: --	SCALE: 3:2
CANADA: 1-800-361-6975 (QUEBEC) 1-800-387-6487 (ALL OTHER PROVINCES)		CAT. NO: Q2A-N TABLE	REV
FOR PRODUCT INFO: http://www.fciconnect.com		DRAWN BY: BK 11-12-50	SD023314-01
		CHECKER: LH 2-8-51	A
		DSN APPVL: --	
		MFG APPVL: --	
		QA APPVL: --	
		MKT APPVL: --	
		PROJ #:	
		SIZE: D	
		DOCUMENT TYPE: Sales	
		REL LEVEL: Released	

REV: PE0200