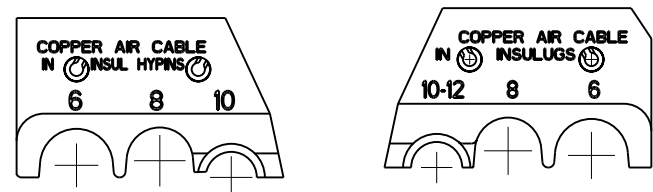
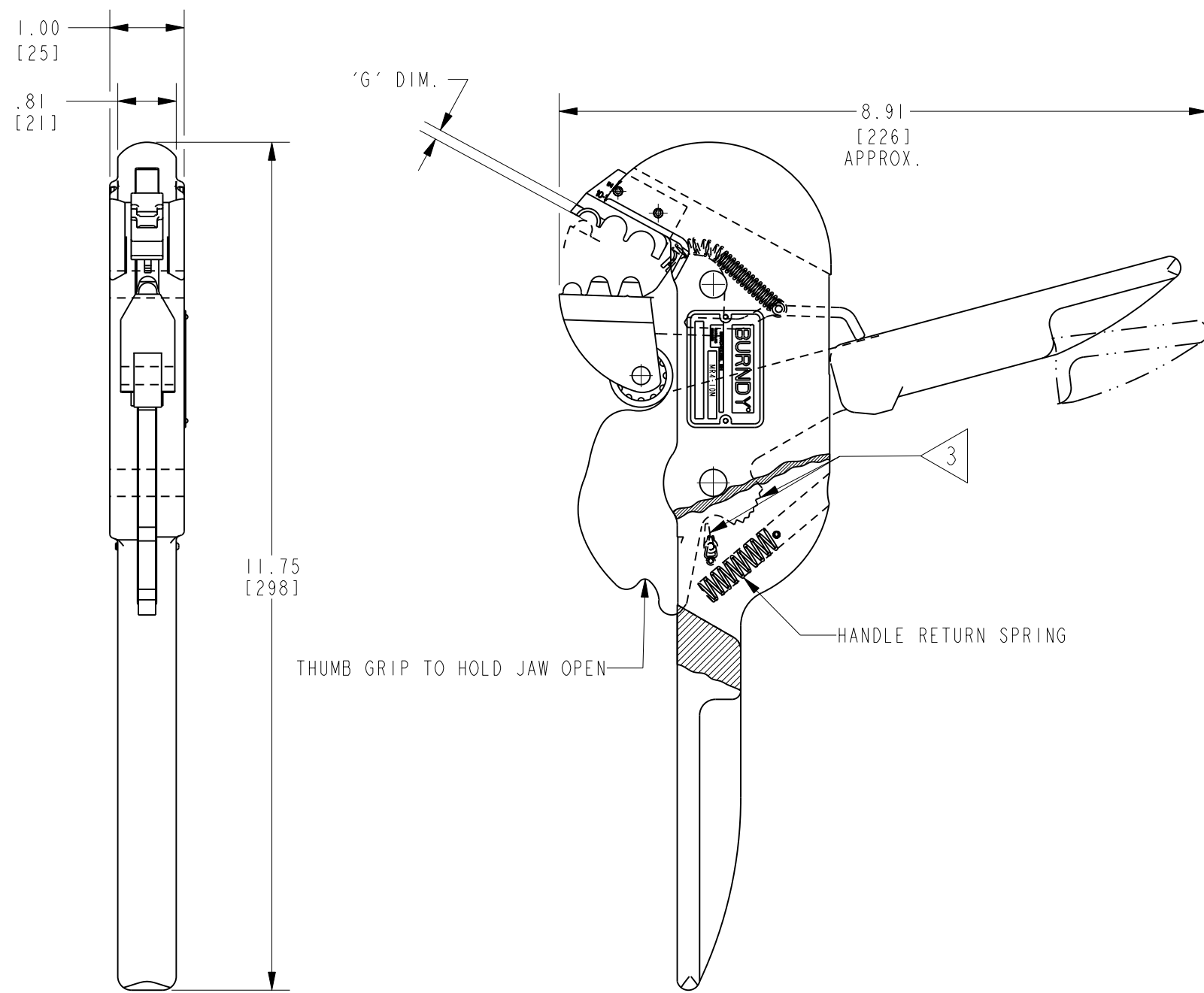


ACCOMMODATES				
GROOVE	CONNECTORS	CONDUCTORS A.N. CABLE	'G' DIM.	INSPECTION GAGE
12-10	YAEV10 INSULUG	12-10	.115/.125 [3 / 3]	PG135-1
	YHE10 INSUL HYPIN	10		
8	YAEV8C INSULUG	8	.141/.161 [4 / 4]	PG136-1
	YHE8C INSUL HYPIN	8		
6	YAEV6C INSULUG	6	.126/.148 [3 / 4]	PG137-1
	YHE6C INSUL HYPIN	6		

REV.	DATE	DESCRIPTION	ECO	BY	C'H'K.
A	04/23/2012 00:00:00 AM	REDRAWN TO PROE	27276	1A	JG



LETTERING VIEW



CUTAWAY VIEW

NOTES:

- DIMENSIONS IN BRACKETS [] ARE IN MILLIMETERS ROUNDED OFF TO THE NEAREST MILLIMETER, UNLESS OTHERWISE SPECIFIED, AND ARE FOR REFERENCE ONLY.
 - MATERIAL: BODY AND HANDLE HEAT TREATED ALUMINUM ALLOY.
ALL WORKIN PARTS: HEAT TREATED STEEL.
- 3 RATCHET MECHANISM PERMITS HYTOOL™ TO BE OPENED ONLY AFTER INDENTATION IS COMPLETED.

SUPERSEDES: SD028299-01

TO ORDER BURNDY® PRODUCTS CALL
 UNITED STATES:
 1-800-346-4175 (LONDONDERRY, NH)
 CANADA:
 1-800-361-6975 (QUEBEC)
 1-800-387-6487 (ALL OTHER PROVINCES)
 FOR PRODUCT INFO: <http://www.burndy.com>

HYTOOL™	
ITEM NO: 906700	
CAT. NO: MR410M	
DRAWN BY: GJE	07/18/53
CHECKER: FGM	11/23/53
DSN APPVL: --	
MFG APPVL: --	
QA APPVL: --	
MKT APPVL: --	
PROD FAM: Tools_Mechanical/OH25	DRAWING NO
PROJECT #: --	SIZE
DOCUMENT TYPE: Sales	SD028976-01
REL LEVEL: Released	B
	SHEET 1 OF 1
	SCALE: 1:1
	REV
	A



REV: PE0200