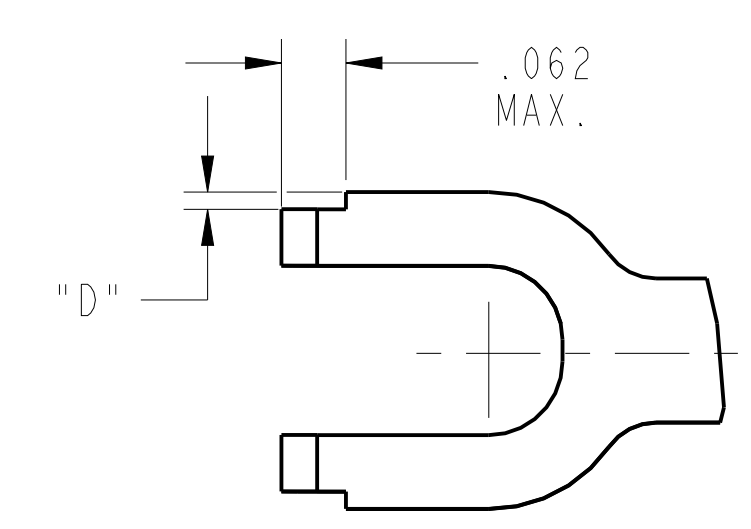


REV	DATE	DESCRIPTION	ECO	BY	C'H'K.
C	03/13/2013 00:00:00 AM	ADD STRIP LENGTH TH YAE-Z- DRAWINGS	30827	GP	MB

WIRE MIL-W-5086 AND STD. COM'L	STUD SIZE	CATALOG NO.	FIG. NO.	B MIN.	C		J MAX. COND. INS. DIA.	Y MAX.	K		N MIN.	T		D MAX.	Z MIN.	NYLON SLEEVE COLOR	STRIP LENGTH	
					DIM.	TOL.			DIM.	TOL.		DIM.	TOL.					
AN20-AN26	2	YAE22Z1	1	.125	.183	±.015	.105	.626	.101	±.005	.112	.025	±.003	.007	.205	AMBER	5/32"	
	4, 5, 6	YAE22Z2	1		.281			.666	.147									.146
	6, 7, 8	YAE22Z3	1		.312			.697	.173									.202
	8, 9, 10	YAE22Z4	1		.359			.746	.198									.232
	4, 5, 6	YAE22N52F	2		.281			.666	.147									.094
4	YAE22Z7	5	.188	.579	.119	.138	.010	.203										
AN22-AN16	2	YAE18Z1	1	.156	.178	±.02	.125	.701	.101	±.005	.112	.032	±.003	.007	.205	RED	3/16"	
	4	YAE18N60F	2		.211			.731	.116									.189
	4, 5, 6	YAE18G43F	2		.250			.677	.147									.093
	4, 5, 6	YAE18N56F	2		.281			.706	.147									.114
	6, 7	YAE18N61F	2		.274			.757	.165									.163
	6, 7, 8	YAE18Z3	1		.312			.771	.173									.202
	6, 7, 8	YAE18N57F	2		.312			.771	.173									.175
	8, 9, 10	YAE18N58F	2		.359			.822	.198									.188
8, 9, 10	YAE18Z4	1	.359	.822	.198	.237												
AN20-AN26	2	YAE18N55F	2	.109	.178	±.015	.105	.707	.101	±.005	.088	.025	±.003	.015	.322	AMBER	5/32"	
	2	YAE22N65F	4		.183			.631	.094									.088
4, 5, 6	YAE22N66F	4	.281	.671	.147	.122	.265											



ALTERNATE METHOD FOR FIGS 1, 3, 5 ONLY.

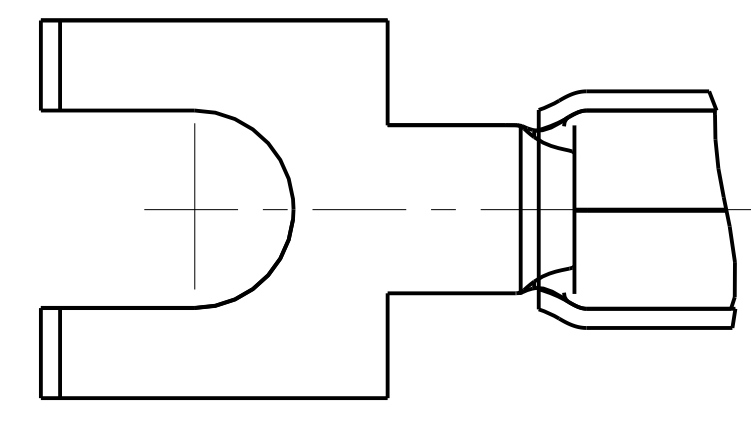
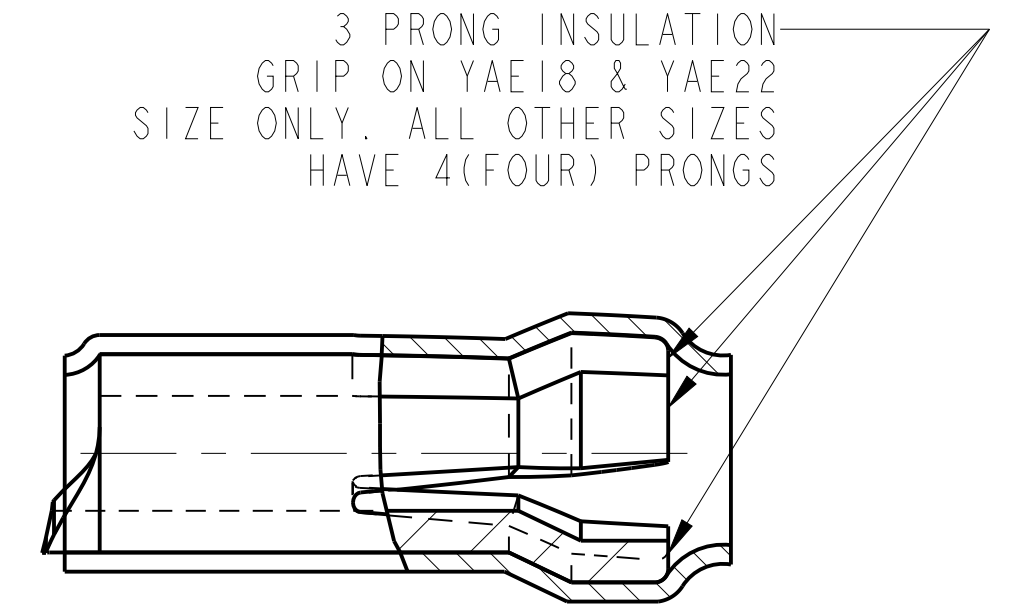
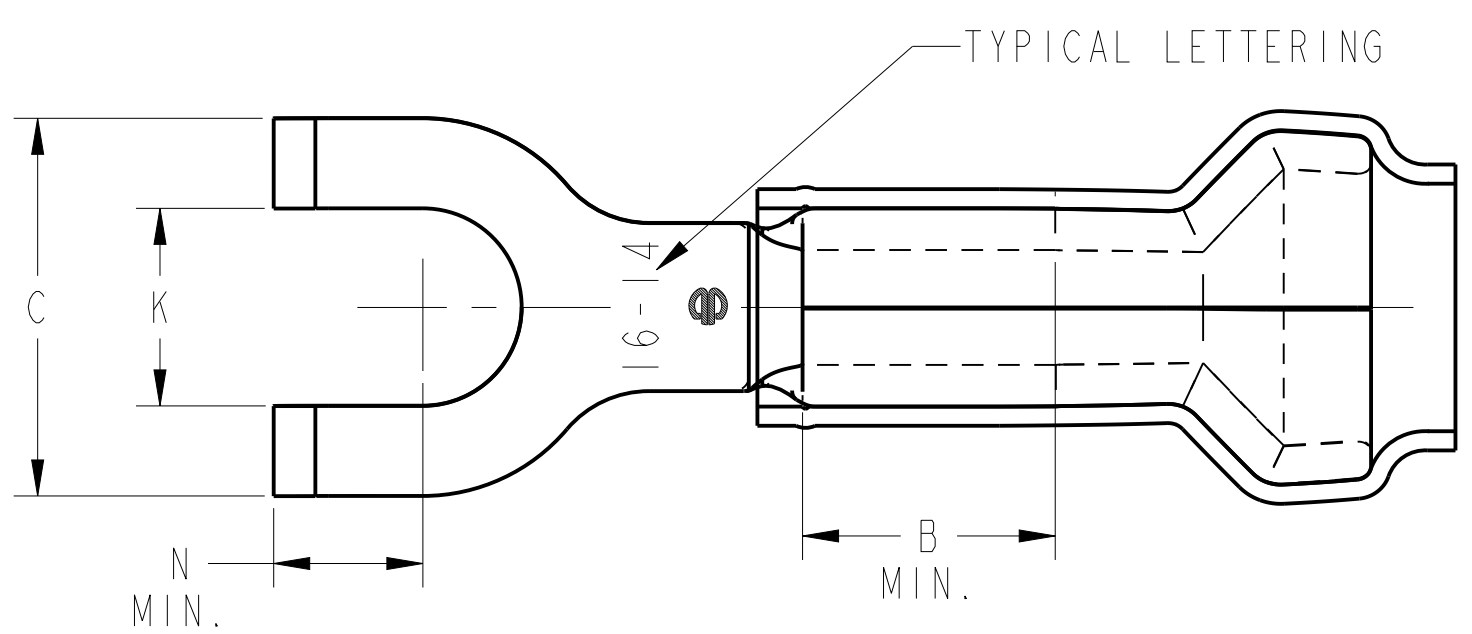


FIG. 5



SECTION A-A



SECTION A-A

FIG. 1

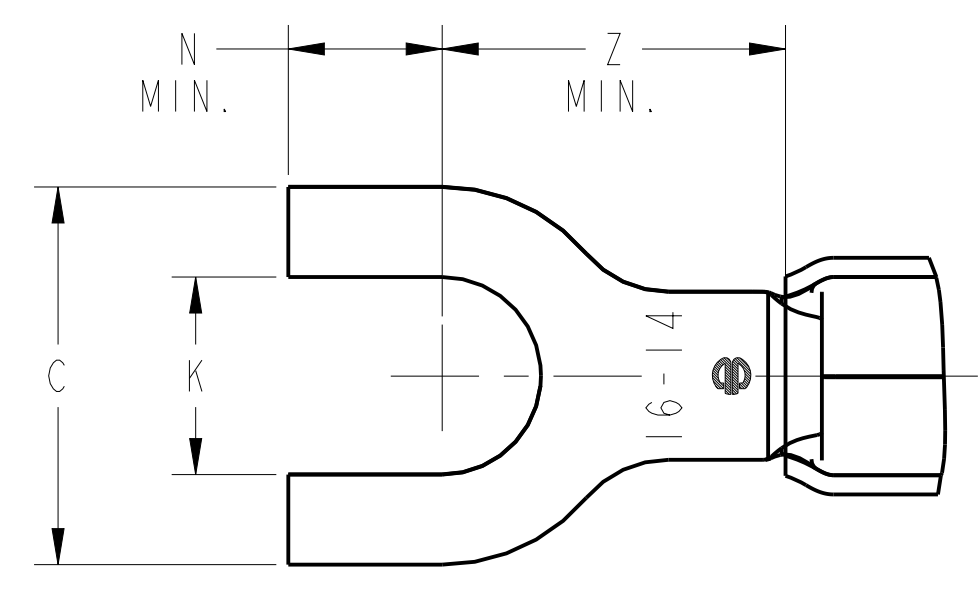


FIG. 2

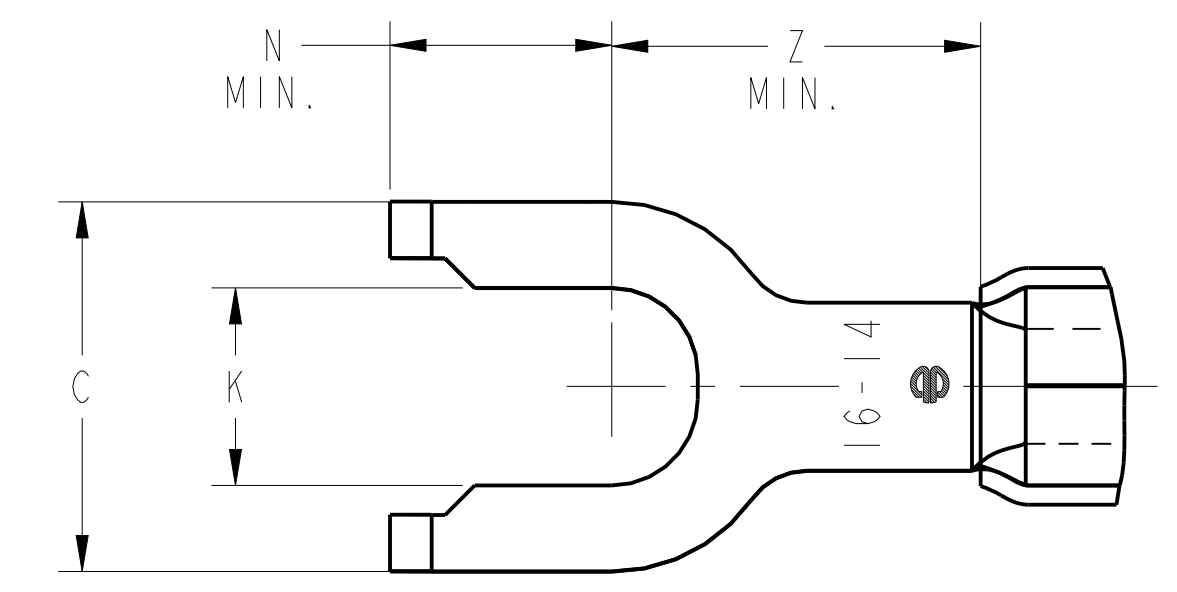


FIG. 3

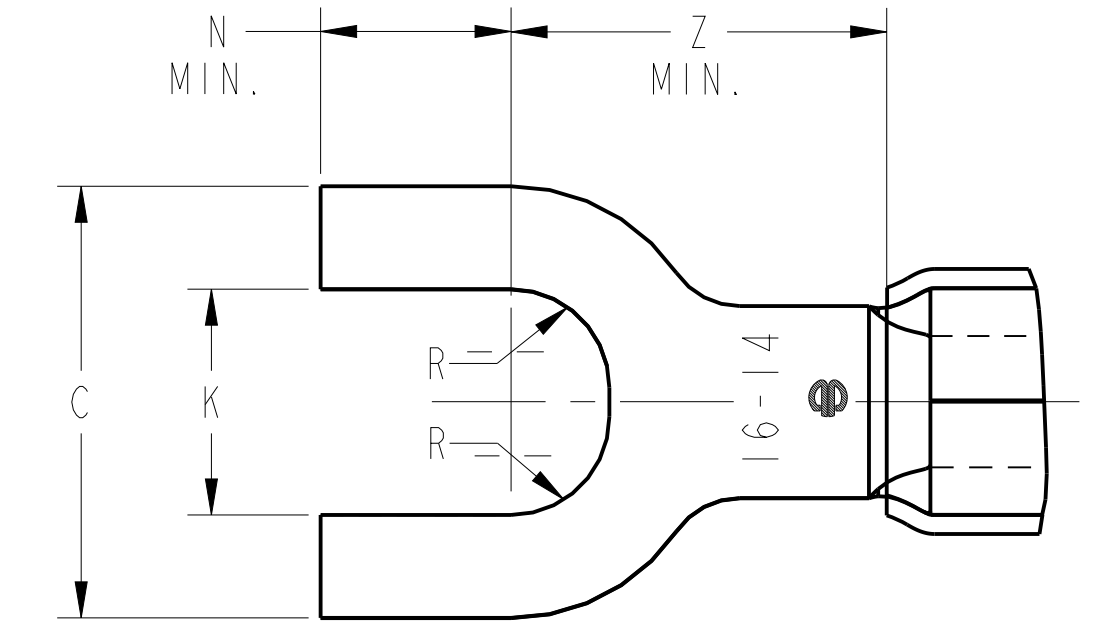
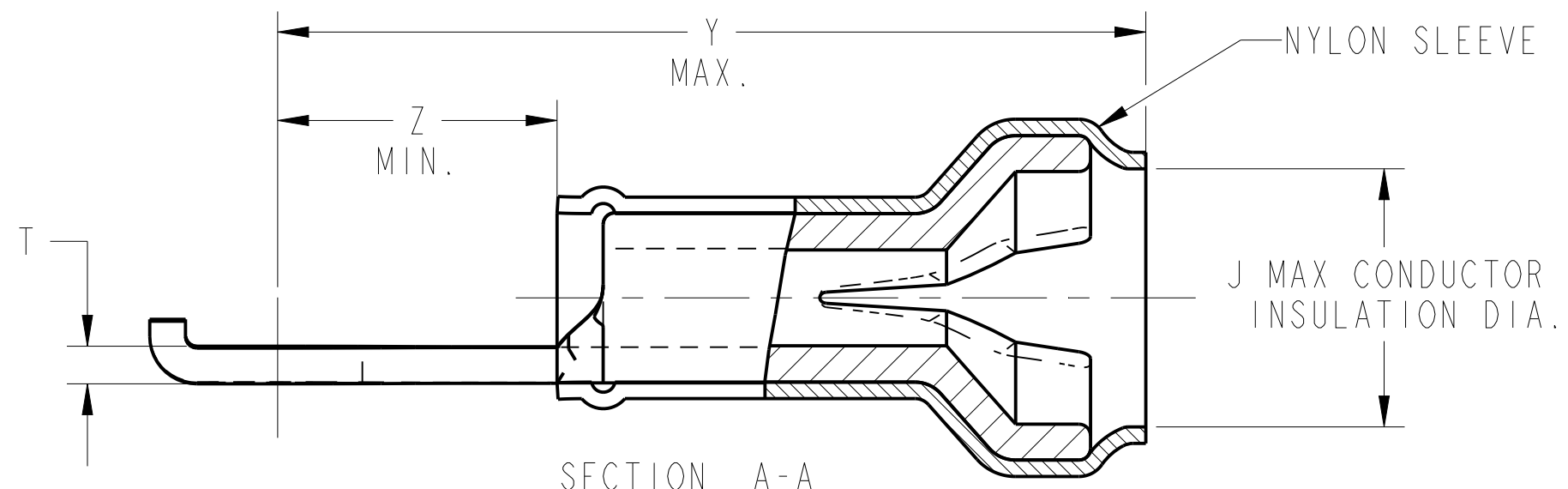


FIG. 4



SECTION A-A

- NOTES:
- MATERIAL:
INSULATION: NYLON
TERMINAL: COPPER
 - FINISH:
TERMINAL: ELECTRO TIN PLATE-STANDARD

TO ORDER BURNDY® PRODUCTS CALL		INSULUG™	
UNITED STATES 1-800-346-4175 (LONDONDERRY, NH)		ITEM NO: 643735	
CANADA: 1-800-361-6975 (QUEBEC) 1-800-387-6487 (ALL OTHER PROVINCES)		CAT. NO: YAE-Z, N, G (SEE TABLE)	
FOR PRODUCT INFO: http://www.burndy.com		DRAWN BY: C. RAJEEV 11/10/11	
		CHECKER: E. MARTIN 11/10/11	
		DSN APPVL: E. MARTIN 11/10/11	
		MFG APPVL: L. LEAVITT 11/16/11	
		QA APPVL: C. ACKERMAN 11/10/11	
		MKT APPVL: J. SYLVIA 11/10/11	
		SCALE: 7:1	
		PROD FAM: CM&R	
		DRAWING NO	
		PROJECT #: --	
		SIZE	
		D	
		DOCUMENT TYPE: Sales	
		SD030947-01	
		SHEET 1 OF 2	
		REV	
		C	

REV: PEO200

WIRE MIL-W-5086 AND STD. COM'L.	STUD SIZE	CATALOG NO.	FIG. NO.	B MIN.	C		J MAX. COND. INS. DIA.	Y MAX.	K		N MIN.	T		D MAX.	Z MIN.	NYLON SLEEVE COLOR	STRIP LENGTH
					DIM.	TOL.			DIM.	TOL.		DIM.	TOL.				
AN16 - AN14	4, 5, 6	YAE14Z2	3	.156 [4]	.281 [7]	±.020	.156 [4]	.741 [19]	.147 [4]	±.005	.146 [4]	.032 [1]	±.003	.015 [1]	.247 [6]	BLUE	3/16"
	4, 5, 6	YAE14N76F	2		.281 [7]			.741 [19]	.147 [4]		.114 [3]			--	.253 [6]		
	6, 7, 8	YAE14Z3	1		.312 [8]		.771 [20]	.173 [4]	.202 [5]		.015 [1]			.290 [7]			
	8, 9, 10	YAE14Z4	1		.359 [9]		.822 [21]	.198 [5]	.237 [6]					.331 [8]			
	8, 9, 10	YAE14N78F	2		.359 [9]		.789 [20]	.198 [5]	.205 [5]					--	.298 [8]		
	6, 7, 8	YAE14N77F	2		.312 [8]		.771 [20]	.173 [4]	.170 [4]					.290 [7]			
AN14 - AN12	4, 5, 6	YAE12Z2	3	.250 [6]	.281 [7]	±.020	.180 [5]	.879 [22]	.147 [4]	±.005	.146 [4]	.036 [1]	±.003	.015 [1]	.247 [6]	GREEN	21/64"
	6, 7, 8	YAE12Z3	1		.312 [8]			.933 [24]	.173 [4]		.202 [5]			.294 [7]			
	8, 9, 10	YAE12Z4	1		.359 [9]			.970 [25]	.198 [5]		.238 [6]			.344 [9]			
AN12 - AN10	8, 9, 10	YAE10G63	2	.297 [8]	.310 [8]	±.015	.209 [5]	.960 [24]	.198 [5]	±.005	.175 [4]	.040 [1]	±.003	--	.281 [7]	YELLOW	3/8"

NOTE:

1. DIMENSIONS IN BRACKETS [] ARE IN MILLIMETERS, ROUNDED OFF TO THE NEAREST MILLIMETER, UNLESS OTHERWISE NOTED. METRIC DIMENSIONS ARE FOR REFERENCE ONLY.

TO ORDER BURNDY® PRODUCTS CALL		INSULUG™	
UNITED STATES 1-800-346-4175 (LONDONDERRY, NH)		ITEM NO: N/A	
CANADA: 1-800-361-6975 (QUEBEC) 1-800-387-6487 (ALL OTHER PROVINCES)		CAT. NO: YAE---Z, N, G (SEE TABLE)	
FOR PRODUCT INFO: http://www.burndy.com		DRAWN BY: R.TOM 07/22/1964	
		CHECKER: TRK 08/12/1964	
		DSN APRVL: --	
		MFG APRVL: --	
		QA APRVL: --	
		MKT APRVL: --	
		PROD FAM: --	
		PROJECT #: --	
		SIZE	
		D	
		DOCUMENT TYPE: SALES	
		REL LEVEL: Released	
		DRAWING NO	
		SD030947-01	
		SHEET 2 OF 2	
		REV	
		C	

REV	DATE	DESCRIPTION	ECO	BY	C'H'K.
C	03/13/2013	ADD STRIP LENGTH TH YAE-Z- DRAWINGS	30827	GP	MB