

DRAWING NO.
SD031189

REV	DATE	DESCRIPTION	ECO	BY	C'H'K.
H	08/31/2011 00:00:00 AM	CHANGE FROM TO TYPIC UPDATE "C" FOR "D" DIELESS TOOLS	25415	BSB	MA

CATALOG NUMBER	STRANDED COPPER CONDUCTOR ACCOMMODATED			BOLT SIZE	METRIC BOLT SIZE	DIMENSIONS								
	CODE (AWG)	NAVY	METRIC SIZE (CLASS 2)			B	C	E	K DIA.	L	N	O.D.	T REF.	Z MIN.
YA322N	400 kcmil	400	-----	1/2	M12	2.12 [54]	1.40 [36]	↑	↑	5.85 [149]	↑	.95 [24]	.19 [5]	↑
YA332N	450 kcmil	-----	-----	1/2	M12	2.13 [54]	1.48 [38]	1.75 [44]	.56 [14]	5.93 [151]	.63 [16]	1.01 [26]	.21 [5]	↑
YA342N	500 kcmil	-----	240mm ² STR[23.1]	1/2	M12	2.25 [57]	1.55 [39]	↓	↓	6.06 [154]	↓	1.05 [27]	.22 [6]	↓
YA352N	550 kcmil	-----	-----	1/2	M12	2.63 [67]	1.65 [42]	↓	↓	6.49 [165]	↓	1.13 [29]	.25 [6]	↓

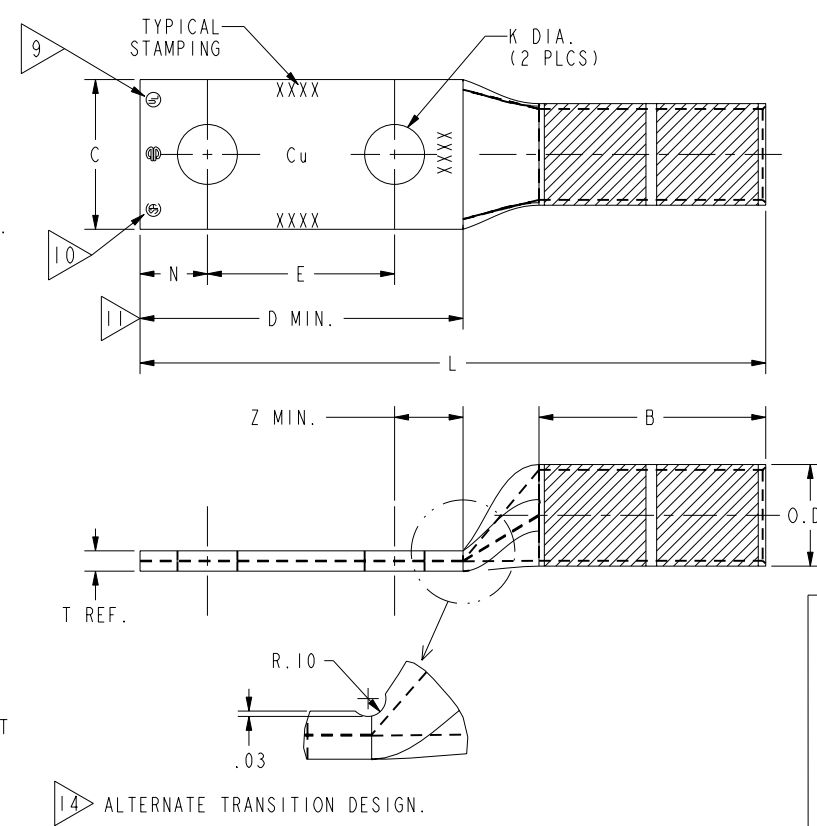
TOLERANCE BLOCK

CONNECTOR SIZE	TOLERANCES						
	B	C	E	K DIA.	L	N	O.D.
-6C THRU -25	±.06	±.04	±.02	±.02	±.09	±.03	±.01
-26 THRU -34	±.08	±.04	±.02	±.02	±.12	±.03	±.01
-35 AND UP	±.09	±.06	±.02	±.02	±.15	±.06	±.01

INSTALLATION TOOLING (# CRIMPS)

CATALOG NO.	COLOR CODE	DIE INFORMATION		MECHANICAL				HYDRAULIC							DIELESS (# CRIMPS)	WIRE STRIP LENGTH
		DIE INDEX	TYPE	YIMRTC	OUR840	MD6 MD7	MD6--R2 MD7-34R	PAT600 Y500	Y34A Y34B Y34BH	Y35, Y39 Y750, PAT750	Y46 PAT46	Y45	Y48B	Y60BHU		
YA322N	BLUE	19 470	BLUE DIE SET	-----	-----	-----	W32RT(4) W32VT(4)	W32VT(4)	-----	U32RT(4) U30ART(4)	U32RT(4) U30ART(4)	U32RT(4) U30ART(4)	C32R(1) C30ART(1)	L32RT(1) L30ART(1)	HYDRAULIC: PAT644(1) Y644(1) PAT81KFT(3) Y81KFT(3) PAT4PC834(3) Y4PC834(3)	2-3/16"
			NEST INDENTOR	-----	-----	-----	-----	-----	B32D(2) A32D(2) Y34PR	U32D-1(2) Y34PR	U32D-1(2) Y34PR	U32D-1(2) Y34PR	C32D(2) Y48PR	-----		
YA332N	GRAY	326 538	GRAY DIE SET	-----	-----	-----	W33RT(4) W33VT(4)	W33VT(4)	-----	U33RT(4)	U33RT(4)	U33RT(4)	-----	L33RT(1)	HYDRAULIC: PAT644(1) Y644(1) PAT81KFT(4) Y81KFT(4) PAT4PC834(4) Y4PC834(4)	2-3/16"
			NEST INDENTOR	-----	-----	-----	-----	-----	B33D(2) A33D(2) Y34PR	U33D-1(2) Y34PR	U33D-1(2) Y34PR	U33D-1(2) Y34PR	C33D(2) Y48PR	-----		
YA342N	BROWN	20 299	BROWN DIE SET	-----	-----	-----	W34RT(4) W34VT(4)	W34VT(4)	-----	U34RT(4) U31ART(2)	U34RT(4) U31ART(2)	U34RT(4) U31ART(2)	C34R(2) C31AR(2)	L34RT(2)	HYDRAULIC: PAT644(1) Y644(1) PAT81KFT(4) Y81KFT(4) PAT4PC834(4) Y4PC834(4)	2-5/16"
			NEST INDENTOR	-----	-----	-----	-----	-----	B34D(1) A34D(1) Y34PR	U34D-1(2) Y34PR	U34D-1(2) Y34PR	U34D-1(2) Y34PR	C34D(2) Y48PR	-----		
YA352N	YELLOW	21	YELLOW DIE SET	-----	-----	-----	-----	-----	-----	U35RT(4)	U35RT(4)	U35RT(4)	-----	L35RT(2)	HYDRAULIC: PAT644(1) Y644(1) PAT81KFT(4) Y81KFT(4) PAT4PC834(4) Y4PC834(4)	2-11/16"
			NEST INDENTOR	-----	-----	-----	-----	-----	-----	-----	-----	P35D(2) P44PR	-----	C35D(2) Y48PR		

- NOTES:**
- MATERIAL: COPPER TUBING
 - FINISH: TIN PLATED. FOR UNPLATED VERSION, ADD SUFFIX "BR" TO CATALOG NUMBER EX. YA322NBR.
 - CATALOG # PT6515 ADAPTOR IS REQUIRED TO USE "U" DIES IN Y45 SERIES TOOLS.
 - CATALOG # PUADP-1 ADAPTOR IS REQUIRED TO USE "U" DIES IN Y46 SERIES TOOLS.
 - Y35P3 INDENTOR ADAPTOR REQUIRED FOR Y34PR INDENTOR.
 - PERMANENT DIE IN TOOLING.
 - DIMENSIONS IN BRACKETS [] ARE IN MILLIMETERS ROUNDED OFF TO THE NEAREST MILLIMETER, UNLESS OTHERWISE NOTED, AND ARE FOR REFERENCE ONLY.
 - FOR USE BY CUSTOMERS THAT HAVE THIS HYPRESS. NO NEW Y34A HYPRESSES ARE BEING PROCESSED. Y34A USES A--D TYPE NEST DIES.
 - CONNECTORS ARE UL LISTED; UNDRILLED VERSIONS ARE NOT UL LISTED.
 - CONNECTORS ARE CSA CERTIFIED; UNDRILLED VERSIONS ARE NOT CSA CERTIFIED.
 - FOR UNDRILLED VERSIONS ADD SUFFIX "-U" TO END OF CATALOG NUMBER. FOR UNDRILLED VERSIONS, USE D MIN. = N MAX. + E MIN. + Z MIN.
 - "X", "W-RT", "W-VT", "U", & "L" DIE SETS ARE COLOR CODED. "A", "B", AND "C" DIES ARE NOT COLOR CODED. NESTS AND INDENTOR TYPE ARE NOT COLOR CODED.
 - PAT600 AND Y500 ARE HYDRAULIC TOOLS.



REFERENCE :SE209513

TO ORDER BURNDY® PRODUCTS CALL
 UNITED STATES
 1-800-346-4175 (LONDONDERRY, NH)
 CANADA:
 1-800-361-6975 (QUEBEC)
 1-800-387-6487 (ALL OTHER PROVINCES)
 FOR PRODUCT INFO: <http://www.burndy.com>

ITEM NO: N/A		HYLUG™	
CAT. NO: YA--2N (SEE TABLE)			
DRAWN BY: J MICHAUD 11/18/94			
CHECKER: D FILLION 11/18/94			
DSN APPVL: C PALAGI 10/24/94			
MFG APPVL: --			
QA APPVL: C ACKERMAN 11/17/94			
MKT APPVL: T NELSON 11/10/94			
PROD FAM: CM&R COMPRESSION	DRAWING NO	SCALE: NTS	REV
PROJECT #: --	SIZE	SD031189	H
DOCUMENT TYPE: Sales	D	SHEET 4 OF 10	
REL LEVEL: Released			

REV: PE0200