

ITEM NO.	CATALOG NO.	CONDUCTOR		FIG. NO.	B	L	O.D.	INSTALLATION DATA																Y644, PAT644 AND PAT444S FAMILY NO. OF CRIMPS PER END			
		AWG kcmil	STR					BURNDY® HYTOOL WITH NO. OF CRIMPS PER END		BURNDY® HYPRESS™ AND DIE SET WITH NO. OF CRIMPS PER END						KEARNEY DIE SETS & NO. OF CRIMPS PER END											
								TOOL INDEX NO.	MD6 DIE SET	Y35/Y750	Y45	Y46	Y48B	Y60BHU	"O" TYPE HAND TOOL	WH-2 TYPE PRESS											
193637	YDS6RLG2	6ACSR	6-1	1	5.81 [148]	11.75 [298]	.67 [17]	243	W-243	12	U243	7	--	--	--	--	C243	--	L243 (3)	--	--	--	--	--			
27008031	YDS6RLS20CG1	6ACSR	6-1	1	5.88 [149]	12.00 [305]	.65 [17]	165	W-165	13	U165	13	--	--	--	--	C165	--	L165 (4)	--	--	--	--	--			
193393	YDS4RL	4 ACSR	6-1	1	5.47 [139]	11.06 [280]	.67 [17]	B-G	W-BG	9	U-BG	9	U-BG	9	U-BG	9	--	--	--	5/8 OR 5/8-1 GROOVES	22	5/8 635	11 6	4			
		4 ACSR	7-1						FIXED BG	22																	
		4 AAAC	7																								
		4 5005	7																								
		4 AAC	7																								
687	W-687	9																									
243	W243	11	U243	6	U243	6	U243	6																			
193130	YDS3RLG1	3 ACSR	6-1	1	5.04 [128]	10.19 [259]	.66 [17]	BG	W-BG	14	U-BG	8	U-BG	8	U-BG	8	--	--	--	5/8 OR 5/8-1 GROOVES	20	5/8	10	--			
									FIXED BG	20																	
									687	W687	10																
243	W243	10	U243	5	U243	5	U243	5																			
193375	YDS2RL	2 ACSR	6-1, 7-1	1	5.04 [128]	10.19 [258]	.66 [16]	B-G	W-BG	8	U-BG	8	U-BG	8	U-BG	8	--	--	--	5/8 OR 5/8-1 GROOVES	20	5/8	10	4			
		2 AAAC	7						FIXED BG	20																	
		2 5005	7																								
		2 AAC	7																								
243	W243	10	U243	5	U243	5	U243	5																			
193324	YDS021RL	2 ACSR	6-1	1	5.53 [140]	11.18 [283]	.80 [20]	C	W-C	24						--	--	--	--	--	737	12	4				
		2 ACSR	7-1																								
		2AAAC	7						U167	12	U167	12	U167	12													
		2AAC	7						U247	6	U247	6	U247	6													
702	W-702	11																									
30026038	YDS1RLG1	1 ACSR	6-1	1	7.32 [185]	14.76 [375]	.80 [20]	C	W-C	32						--	--	--	737	32	737	16	--				
											U167	16	U167	16	U167									16			
									247	--	--	U247	8	U247	8									U247	8		
									660	W-660	16	U660	8	U660	8									U660	8		
702	W-702	14																									
27021963	YDS1RL				6.85 [174]	14.00 [356]	.71 [18]	245	W245	15	U245	8	U245	8	U245	8	--	--	--	737	32	737	16	--			
193432	YDS25RL	1/0 ACSR	6-1	2	6.88 [175]	13.88 [353]	.80 [20]	C	W-C	30						--	--	--	737	30	737 747	15	5				
		1/0 AAAC	7																								
		1/0 AAC	7						U167	15	U167	15	U167	15													
									U247	8	U247	8	U247	8													
660	W-660	15	U25RLYRT	8	U25RLYRT	8	U25RLYRT	8																			
702	W-702	14																									
193759	YDS25RLG8	1/0 ACSR 1/0 AAAC	6-1 7	1	7.94 [202]	16.00 [406]	.76 [19]	K737 K747 U247	WK737 WK747	18	U247	6	--	--	--	--	C247	--	L247 (7)	747	18	747 737	12 18	--			
--	YDS25AL	1/0 5005 AL. ALLOY	7	1	2.69 [68]	5.50 [140]	.66 [17]	BG	W-BG	10	UBG	4	UBG	4	UBG	4	--	--	--	5/8	10	5/8-1	5	--			

REV	DATE	DESCRIPTION	ECO	BY	CHK.
K	2020-07-22 00:00:00 EDT	ADDED YDS1RL IN TABLE	53920	SS	YR

- NOTES:
- OVERLAP CRIMPS. 25% OVERLAP RECOMMENDED.
  - "U" DIES USED WITH ADAPTOR PT.#6515.
  - "U" DIES USED WITH ADAPTOR PT.#P.UADP.
  - INSTALLATION TOOLING INDICATED FOR CONNECTOR MAY BE USED FOR ANY CONDUCTOR ACCOMMODATED IN CONNECTOR.
  - TWO CRIMPS MADE SIMULTANEOUSLY.
  - MATERIAL: ALUMINUM

7. 7. DIMENSIONS IN BRACKETS [ ] ARE IN MILLIMETERS ROUNDED OFF TO THE NEAREST MILLIMETER, UNLESS OTHERWISE NOTED, AND ARE FOR REFERENCE ONLY.
- WHEN INSTALLING UNISPLICES™ WITH HYTOOLS™ EXCESSIVE BOWING MAY BE ELIMINATED BY ROTATING THE TOOL 180° (WITH RESPECT TO THE CONNECTOR IN A PLANE PERPENDICULAR TO THE AXIS OF THE CONNECTOR) AFTER EVERY OTHER CRIMP.
- SEE SHEET 2 FOR ILLUSTRATIONS
- FOR FASTER INSTALLATION USE BURNDY® PATRIOT® FAMILY OF BATTERY TOOLS.

TO ORDER BURNDY® PRODUCTS CALL		UNISPLICE™ TENSION (ACSR, AAAC)	
UNITED STATES 1-800-346-4175 (LONDONDERRY, NH)		SEE TABLE	
CANADA: 1-800-361-6975 (QUEBEC) 1-800-387-6487 (ALL OTHER PROVINCES)		CAT. NO: YDS-RL, YDS-RLG (SEE TABLE)	
FOR PRODUCT INFO: <a href="http://www.burndy.com">http://www.burndy.com</a>		DRAWN BY: H.C. 01/17/75	
		CHECKER: H.C. 01/17/75	
		DSN APPVL: JJB 02/05/75	
		MFG APPVL: -- --	
		QA APPVL: -- --	
		MKT APPVL: N/A --	
		SCALE: 1:1	
		PROD FAM: --	
		DRAWING NO	
		SD034930	
		REV	
		K	

D

C

B

A

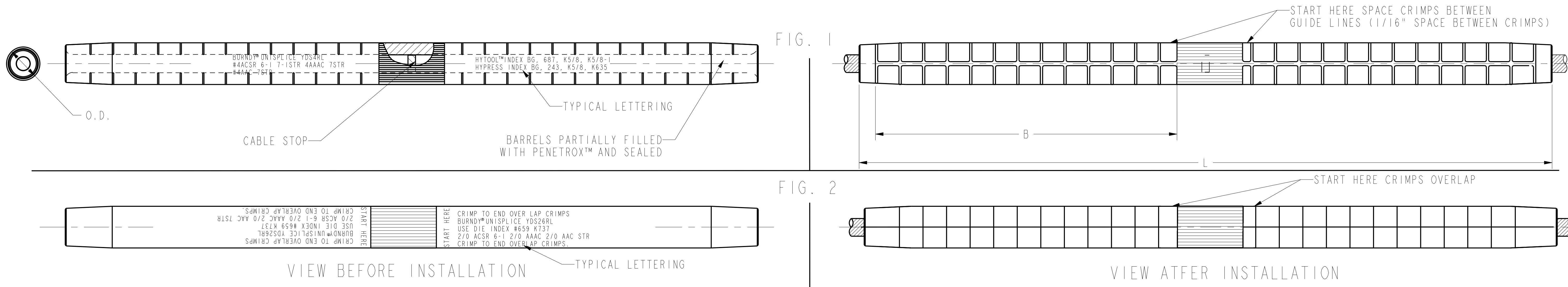
D

C

B

A

ITEM NO.	CATALOG NO.	CONDUCTOR		FIG. NO.	B	L	O.D.	INSTALLATION DATA															
		AWG kcmil	STR					BURNDY® HYTOOL™ WITH NO. OF CRIMPS PER END		BURNDY® HYPRESS™ AND DIE SET WITH NO. OF CRIMPS PER END						KEARNEY DIE SETS & NO. OF CRIMPS PER END				Y644, PAT644 AND PAT444S FAMILY NO. OF CRIMPS PER END			
								TOOL INDEX NO.	MD6 DIE SET	Y35/Y750	Y45	Y46	Y48B	Y60BHU	"O" TYPE HAND TOOL	WH-2 TYPE PRESS							
193457	YDS26RL	2/0 ACSR 2/0 AAAC 2/0 5005 2/0 AAC	6-1 7 7 7	2	6.70 [170]	13.52 [343]	.83 [21]	659	--	11	U659	11	U659	11	U659	11	--	--	--	737	737	5	
193477	YDS27RL	3/0 ACSR 3/0 AAAC 3/0 AAC	6-1 7 7	2	9.03 [229]	18.18 [461]	.91 [23]	658	--	16	U658	16	U658	16	U658	16	--	--	--	840	840	7	
193496	YDS28RL	4/0 ACSR 4/0 AAAC 4/0 AAC	6-1 7 7	2	9.06 [230]	18.25 [464]	1.02 [26]	654	--	18	U654	18	U654	18	U654	18	--	--	--	--	--	7	
193107	YDS30LT	312.8	6201	1	7.15 [182]	14.42 [366]	1.25 [32]	317	--	--	U317	10	U317	10	U317	10	C317(3)	--	L317 (7)	--	--	--	
193670	YDS321RL	336.4 ACSR 336.4 AAC	18-1 19	2	9.06 [230]	18.25 [464]	1.13 [29]	655	--	21	U655	21	U655	21	U655	21	--	--	--	--	--	7	
193520	YDS32LT	394.5 394.5 336.4	6201 5005 E.C. Equiv	1	8.44 [214]	17.00 [353]	1.38 [35]	642	--	--	U642	12	U642	12	U642	12	C642(4)	--	L642(4)	--	--	--	
193681	YDS341RL	397.5 ACSR 419.6	18-1 5005	1	10.90 [277]	21.92 [557]	1.310 [33]	327	--	--	U327	18	U327	18	U327	18	C327	--	L327 (6)	--	--	9	
193693	YDS361RL	477 556.5 587.2	18-1 18-1 5005	2	11.54 [293]	23.21 [590]	1.40 [36]	788 720	-27	--	U788	(27)	U788	(27)	U788	(27)	--	--	L720 (10)	--	--	9	
192275	YDS391RLG2	556.5	18-1	1	7.74 [196]	16.27 [413]	1.40 [35]	318/261	--	--	U261	12	U261	12	U261	12	--	--	L261 (4)	--	--	7	
193543	YDS36LT	559.5 559.5 447	6201 5005 E.C. Equiv	2	7.94 [202]	16.00 [406]	1.61 [41]	667	--	--	--	--	--	--	P667	(14)	C667 (5)	--	L667 (7)	--	--	--	
193586	YDS45LT	927.2 927.2 795	6201 5005 E.C. Equiv	1	10.62 [270]	21.36 [543]	2.25 [57]	648	--	--	--	--	--	--	--	--	--	--	L648(7)	--	--	--	
--	YDS453RL	795 ACSR	36-1	2	11.34 [288]	22.81 [579]	1.67 [42]	342	--	--	--	--	--	--	--	--	C391AYD	--	L342 (15)	--	--	--	



SUPERSEDES SD034930-30  
REFERENCES: SD053576-01 (YDS-RLY)  
FD021208-01, CSD1515, & SD052277-01 (YCS-RL)

TO ORDER BURNDY® PRODUCTS CALL  
UNITED STATES  
1-800-346-4175 (LONDONDERRY, NH)  
CANADA:  
1-800-361-6975 (QUEBEC)  
1-800-387-6487 (ALL OTHER PROVINCES)  
FOR PRODUCT INFO: <http://www.burndy.com>

UNISPLICE™ TENSION (ACSR, AAAC)	
ITEM NO:	SEE TABLE
CAT. NO:	YDS-RL, YDS-RLG (SEE TABLE)
DRAWN BY:	M.S.P 05/01/1964
CHECKER:	ES 06/15/1964
DSN APPVL:	--
MFG APPVL:	--
QA APPVL:	--
MKT APPVL:	N/A
PROD FAM:	--
PROJECT #:	--
DOCUMENT TYPE:	Sales
REL LEVEL:	Released

**BURNDY**

SCALE: 1:1  
DRAWING NO: SD034930  
REV: K  
SHEET 2 OF 2

REV: PEO200